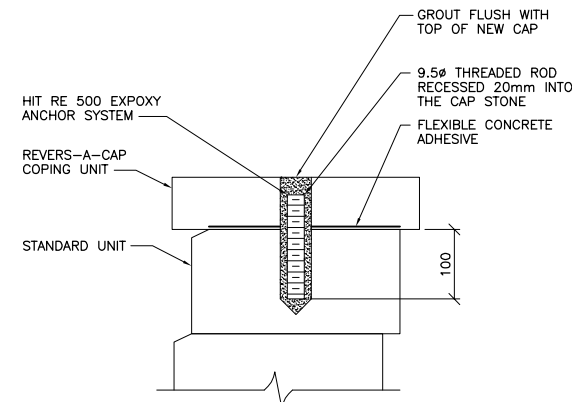
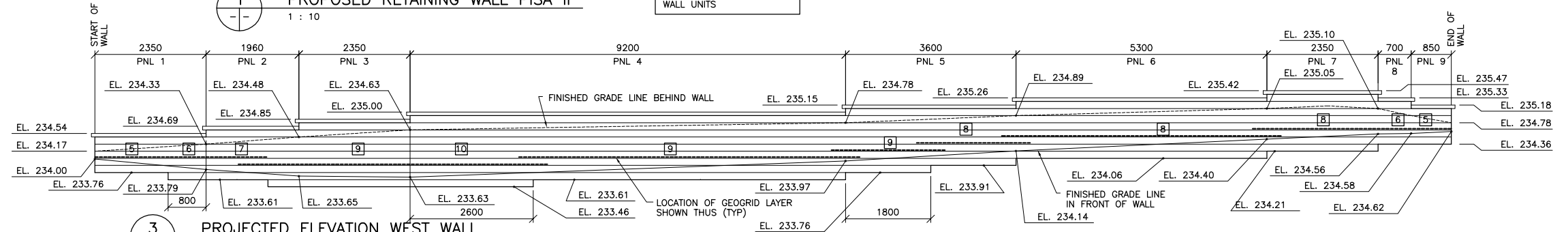


- NOTES:
1. CONTRACTOR TO VERIFY LOCATION OF UNDERGROUND SERVICES WITHIN AREA OF PROPOSED WORKS PRIOR TO EXCAVATION AND CONSTRUCTION.
  2. CONFIRM ALL DIMENSIONS ON SITE AND HAVE ALL LAYOUT APPROVED BY CONTRACT ADMINISTRATOR PRIOR TO ANY CONSTRUCTION, REPORT ANY DISCREPANCIES.
  3. REFER ALSO TO WRITTEN SPECIFICATIONS.



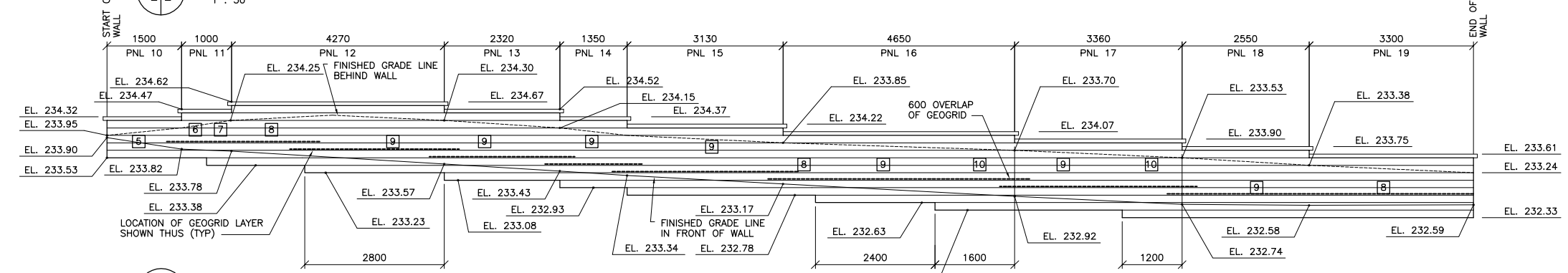
2 SECURING CAP UNITS  
1 : 5

1 PROPOSED RETAINING WALL PISA II  
1 : 10

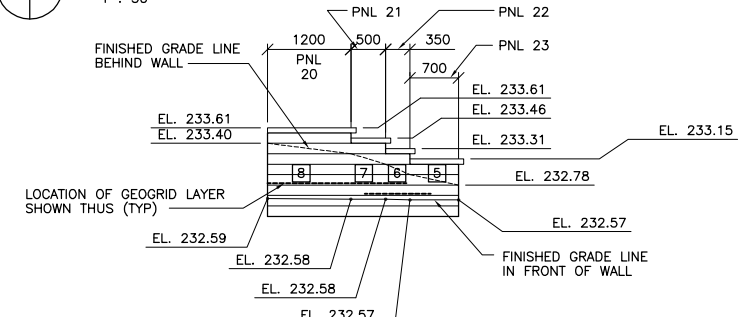


LEGEND:  
# - NUMBER OF COURSES  
PNL - PANEL

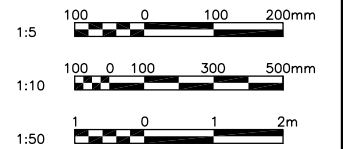
3 PROJECTED ELEVATION WEST WALL  
1 : 50



4 PROJECTED ELEVATION EAST WALL (NORTH SECTION)  
1 : 50



5 PROJECTED ELEVATION EAST WALL (SOUTH SECTION)  
1 : 50



B.M. ELEV.	F.B.	<b>WARDROP</b> Engineering Inc.	DESIGNED BY: VB/DN CHECKED BY: DRAWN BY: EV/JP APPROVED BY: HOR. SCALE: AS NOTED VERTICAL: AS NOTED	ORIGINAL DRAWING REVISION # 0 SEALED BY V. BANTHIA 06.09.29	CONSULTANT DRAWING NO. 0600070500-DWG-S0003
0 ISSUED FOR TENDER NO. REVISIONS	06.09.29 DATE				

**THE CITY OF WINNIPEG**  
PUBLIC WORKS DEPARTMENT  
ENGINEERING DIVISION

REHABILITATION OF LANDSCAPING RETAINING WALLS  
AT CHARLESWOOD BRIDGE

PROPOSED RETAINING WALL SECTIONS

CITY DRAWING NUMBER: B225-06-03  
SHEET 3 OF 3

003