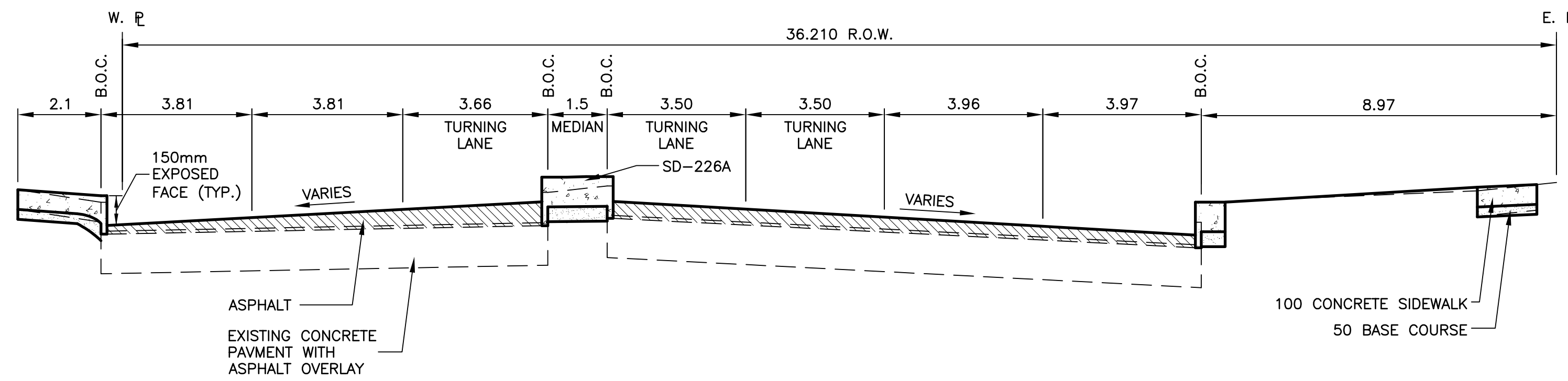


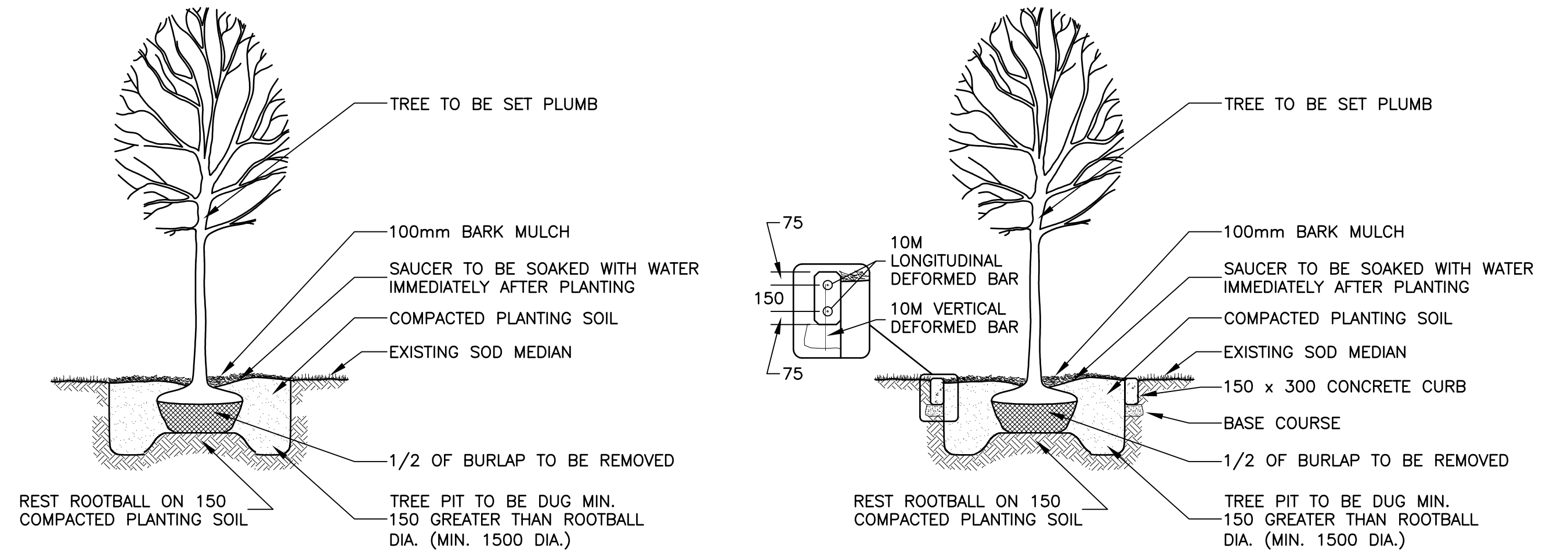
TYPICAL CROSS SECTION—FULL WIDTH MEDIAN (0+425)

SCALE 1:100 HORIZ.
1:20 VERT.



TYPICAL CROSS SECTION—MONOLITHIC MEDIAN (0+775)

SCALE 1:100 HORIZ.
1:20 VERT.



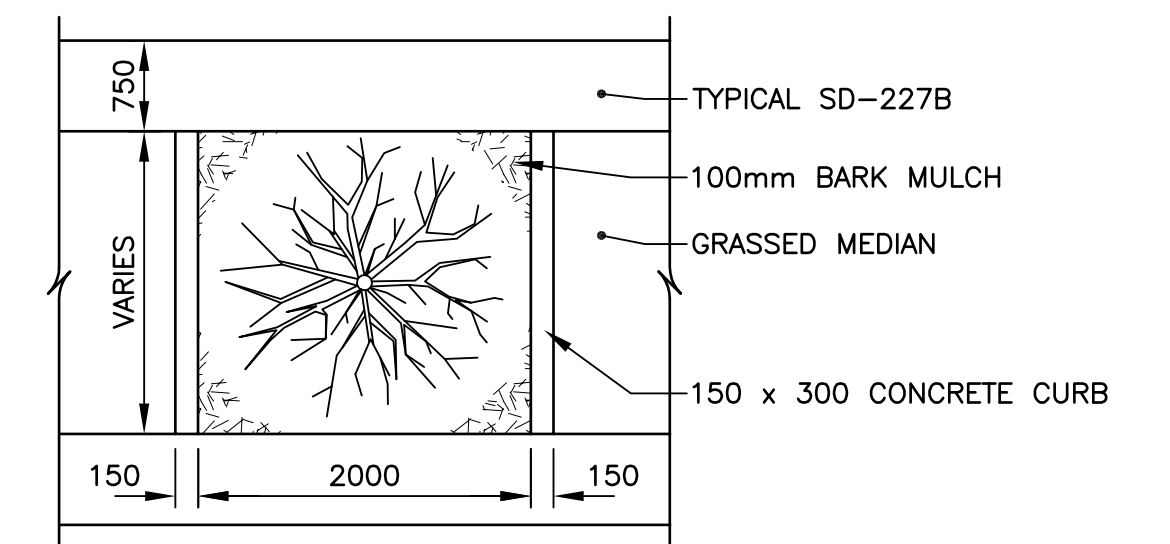
SECTION

SECTION

NOTE:
CONTRACTOR TO ALLOW
FOR SOIL SETTLEMENT

TYPICAL BOULEVARD TREE PLANTING

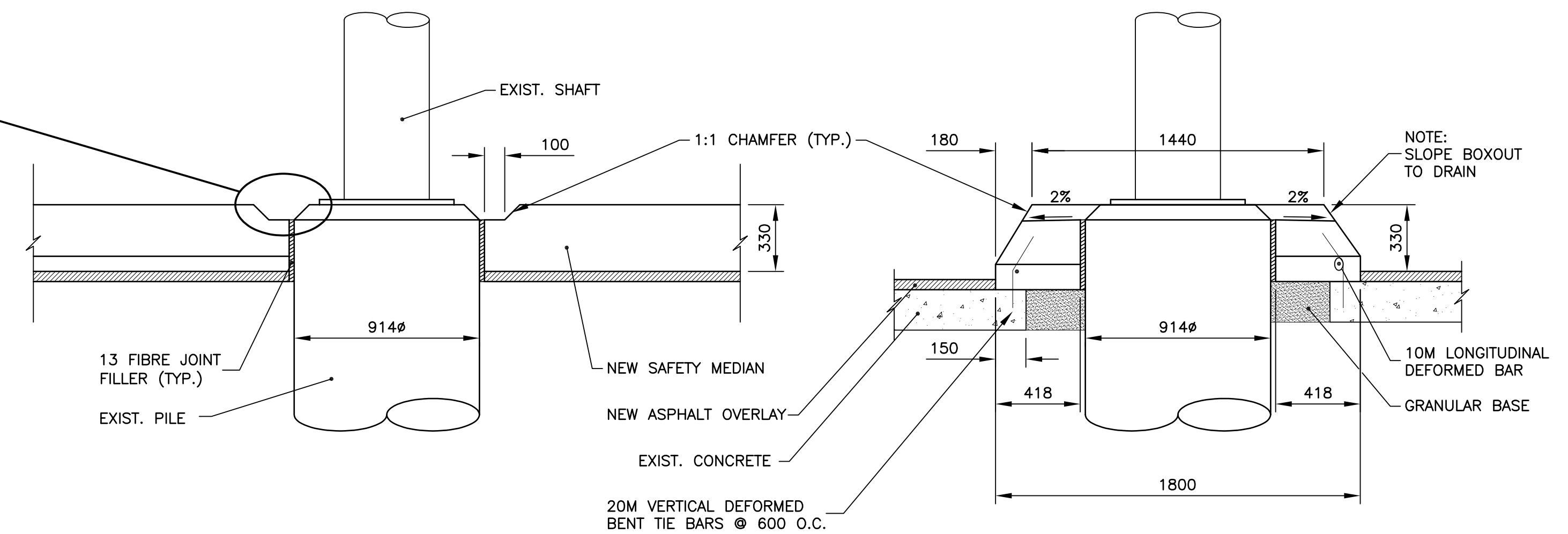
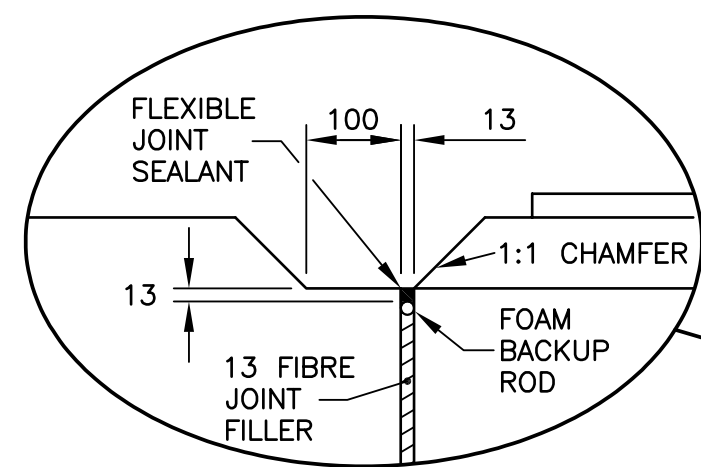
N.T.S.



PLAN

TYPICAL ROSYBLOOM CRABAPPLE
(65mm) MEDIAN TREE PLANTING

N.T.S.



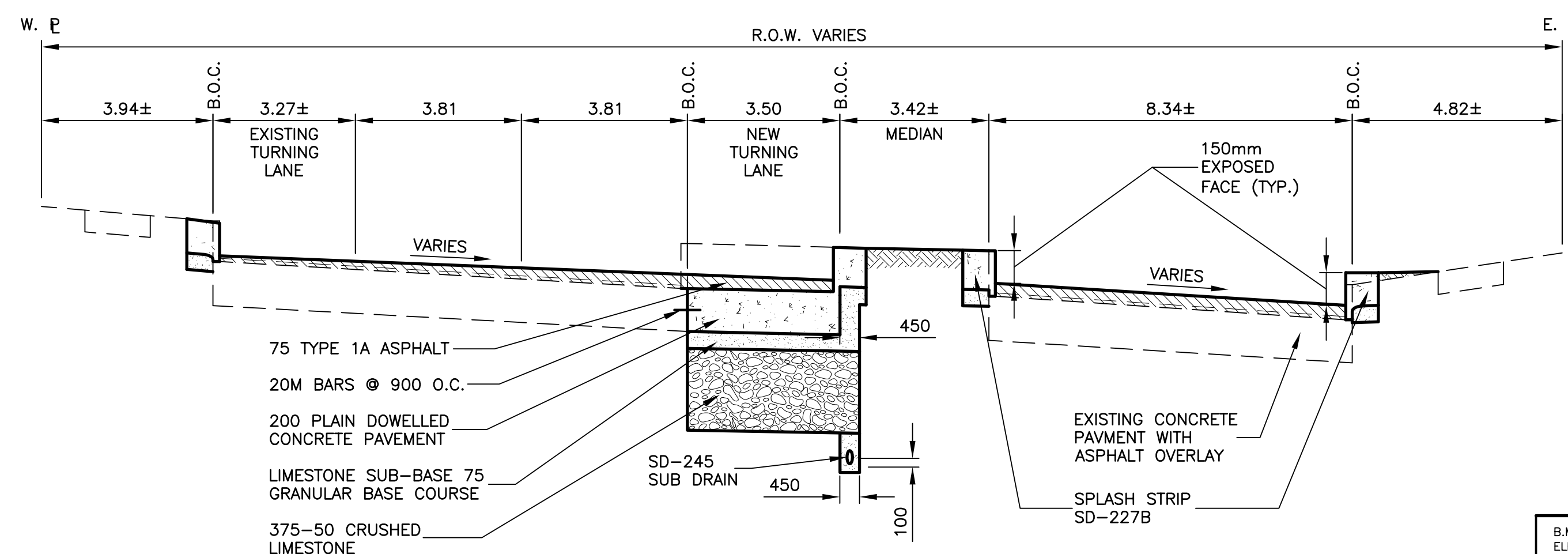
SECTION A-A

SECTION B-B

SCALE 1:20

SCALE 1:20

SAFETY MEDIAN BOXOUT OF EXISTING O.H.H.S. PILE (S-510)



TYPICAL CROSS SECTION
NEW TURN LANE CONSTRUCTION (1+060)

SCALE 1:100 HORIZ.
1:20 VERT.

METRIC

WHOLE NUMBERS INDICATE MILLIMETRES
DECIMALIZED NUMBERS INDICATE METRES

B.M. 62-037 ELEV. 231.811m	DESIGNED BY D.B. WIEBE		ENGINEER'S SEAL PROVINCE OF MANITOBA REGISTERED PROFESSIONAL ENGINEER D.B. WIEBE 03/16/06 Member 22480		THE CITY OF WINNIPEG PUBLIC WORKS DEPARTMENT
	DRAWN BY A.J. PORCO				
	CHECKED BY D.P. KRAHN		HOR. SCALE AS SHOWN VERTICAL	RELEASSED FOR CONSTRUCTION	CITY DRAWING NUMBER P-3257-11
	APPROVED BY		DATE 11/15/04	CONSULTANT PROJECT NO. 04-3917-1000	SHEET 11 OF 16
2 ISSUED FOR TENDER 03/14/06 DBW					
1 ISSUED FOR REVIEW 03/01/04 DBW					
NO. REVISIONS	DATE	BY	DATE		