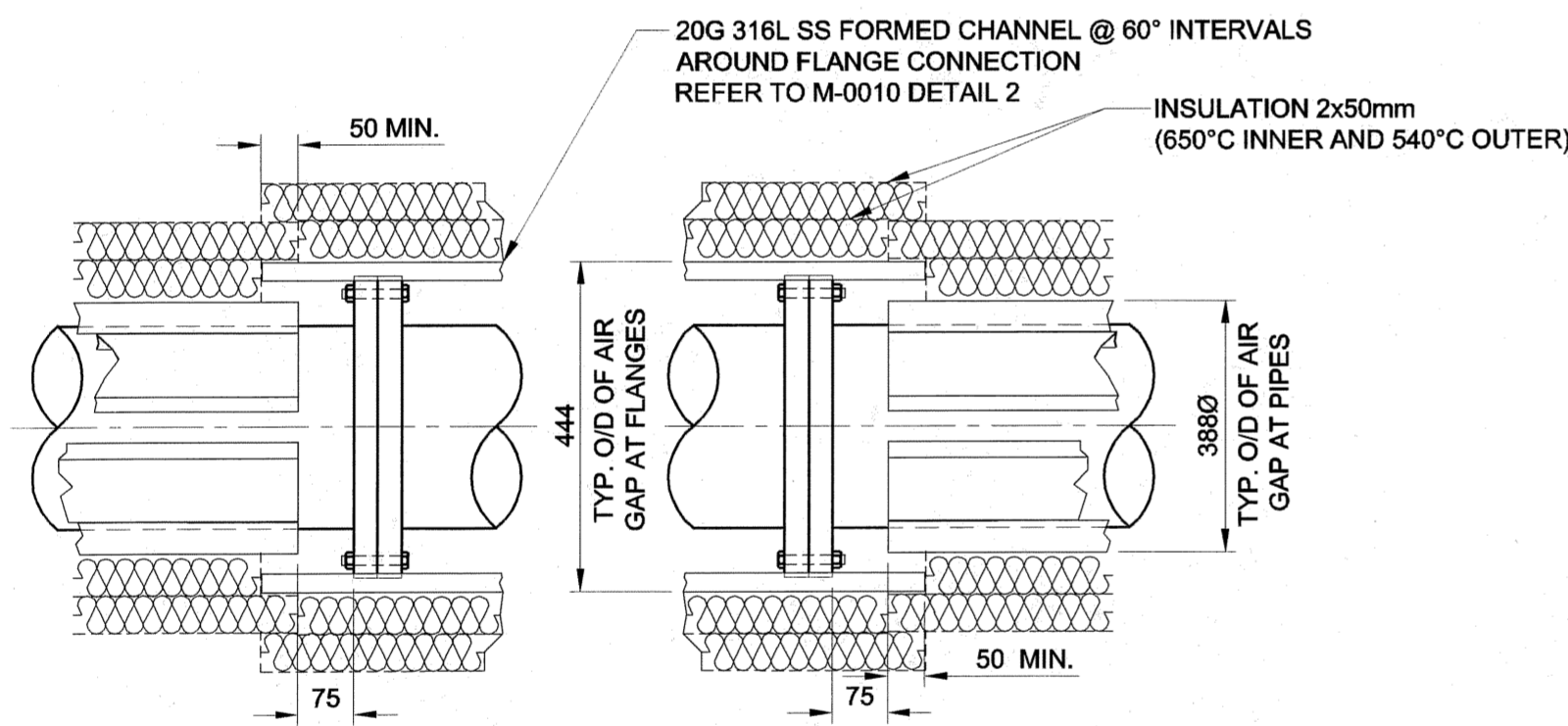
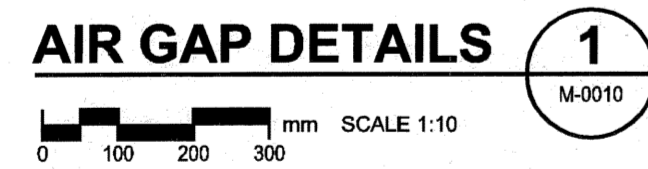


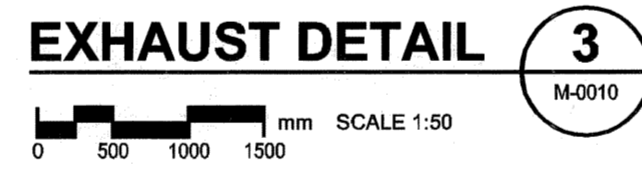
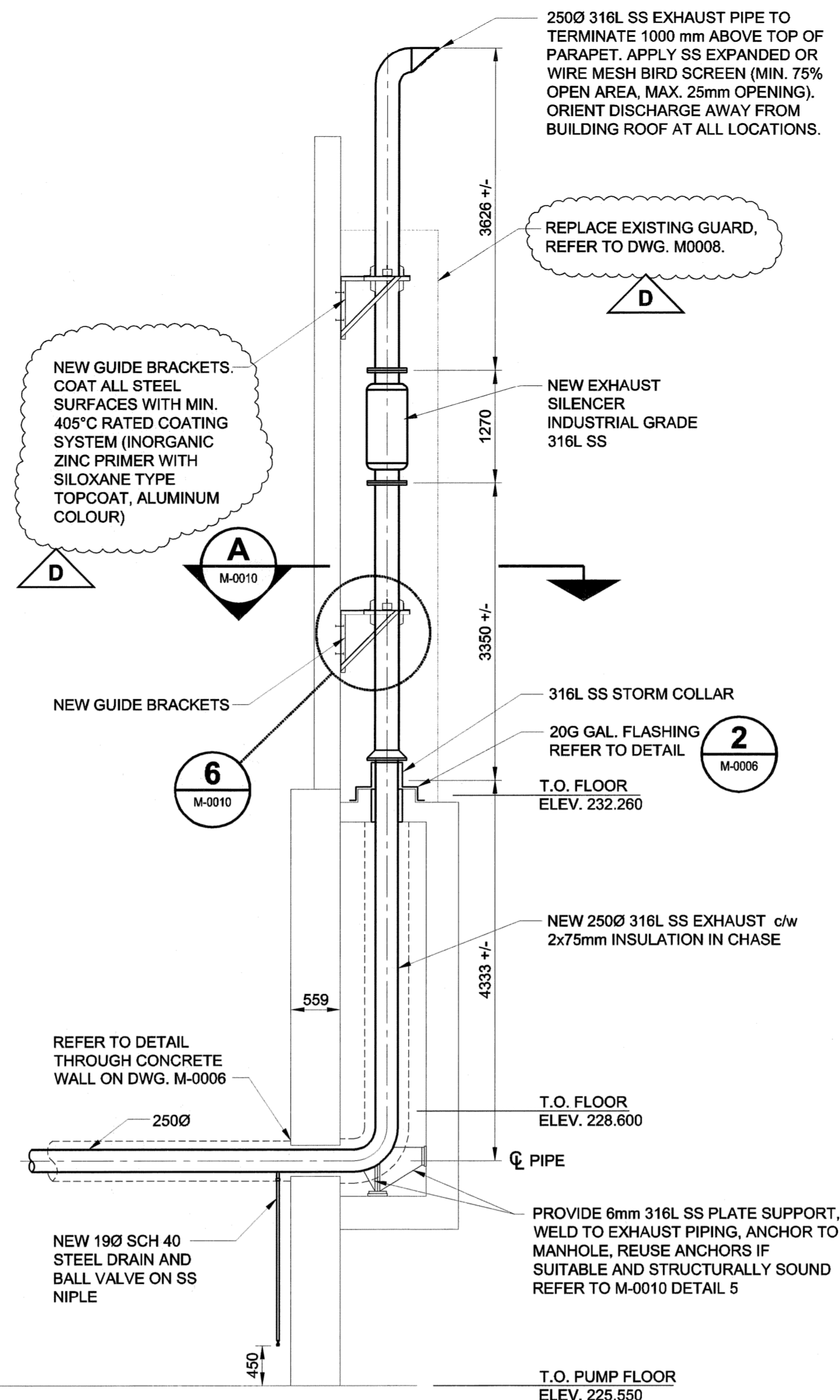
AIR GAP @ TYPICAL PIPE



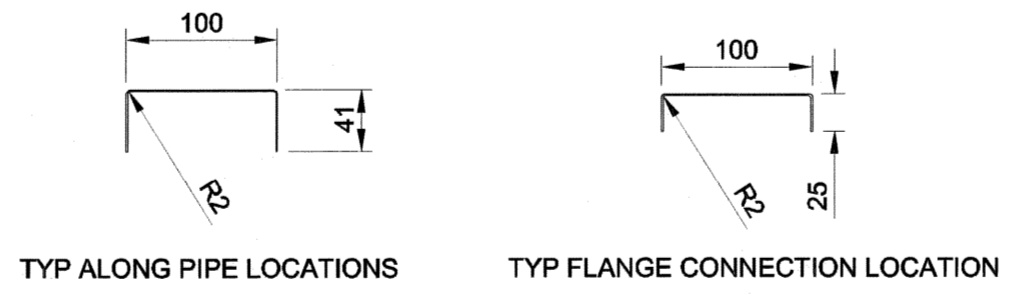
AIR GAP TYPICAL @ FLANGE LOCATIONS ADAPT TO SUIT PIPE SUPPORTS



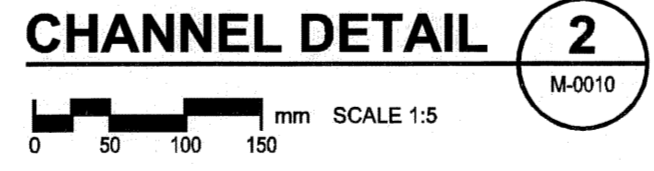
AIR GAP DETAILS 1 M-0010



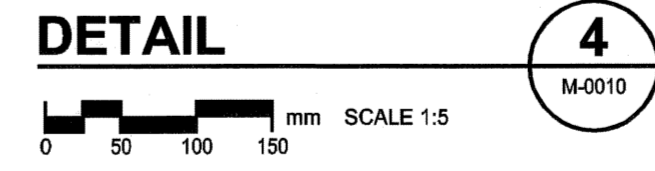
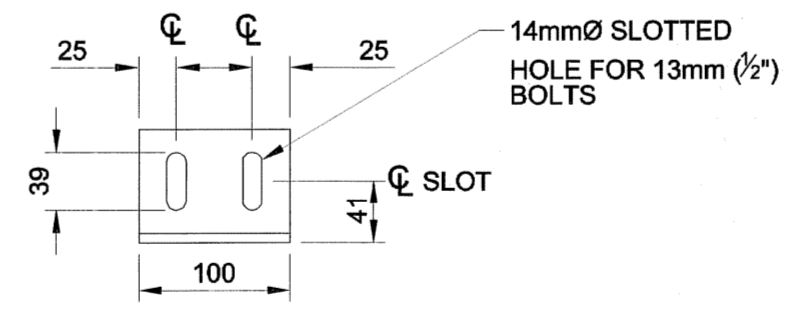
EXHAUST DETAIL 3 M-0010



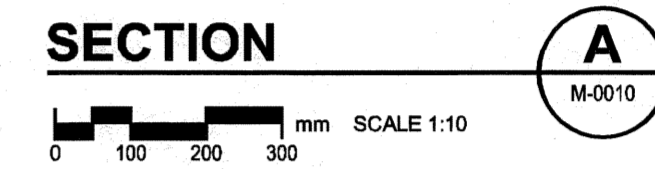
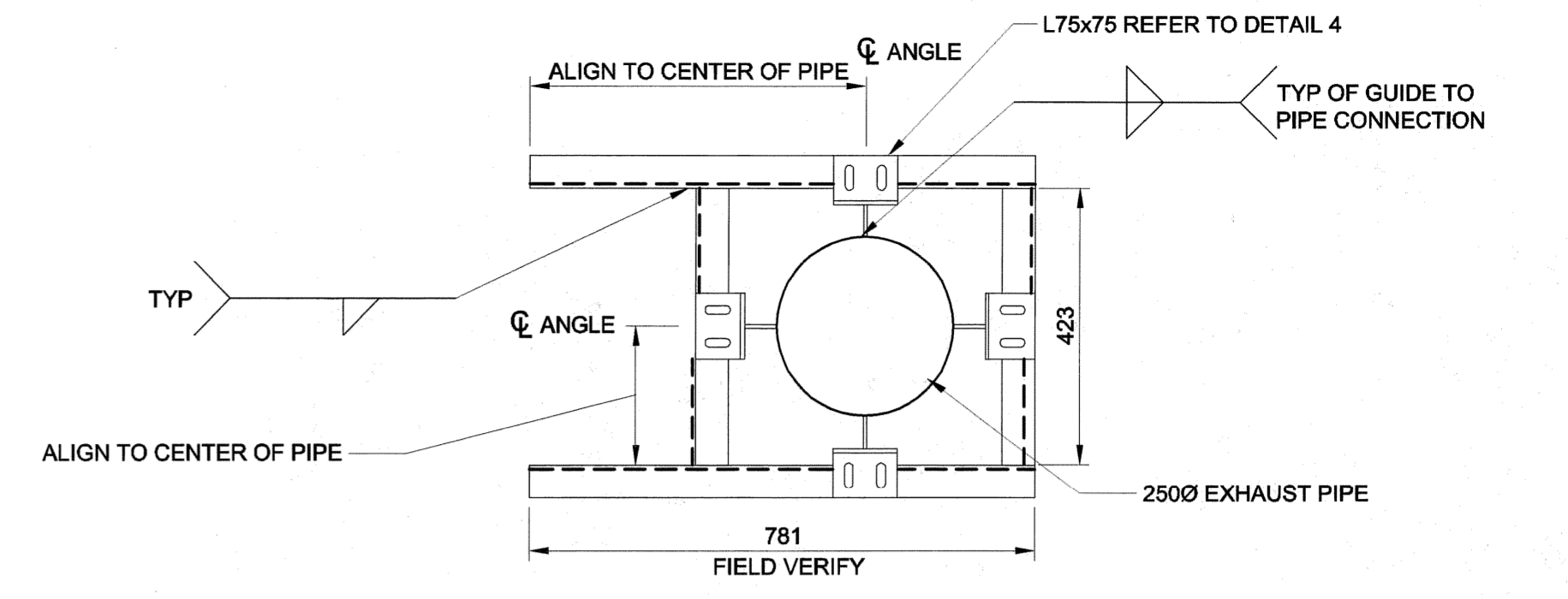
NOTE: FORM CHANNEL TO REQUIRED SIZE AND CUT LENGTH TO SUIT.



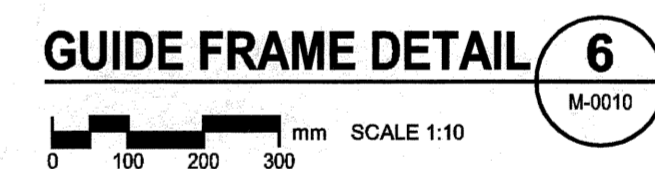
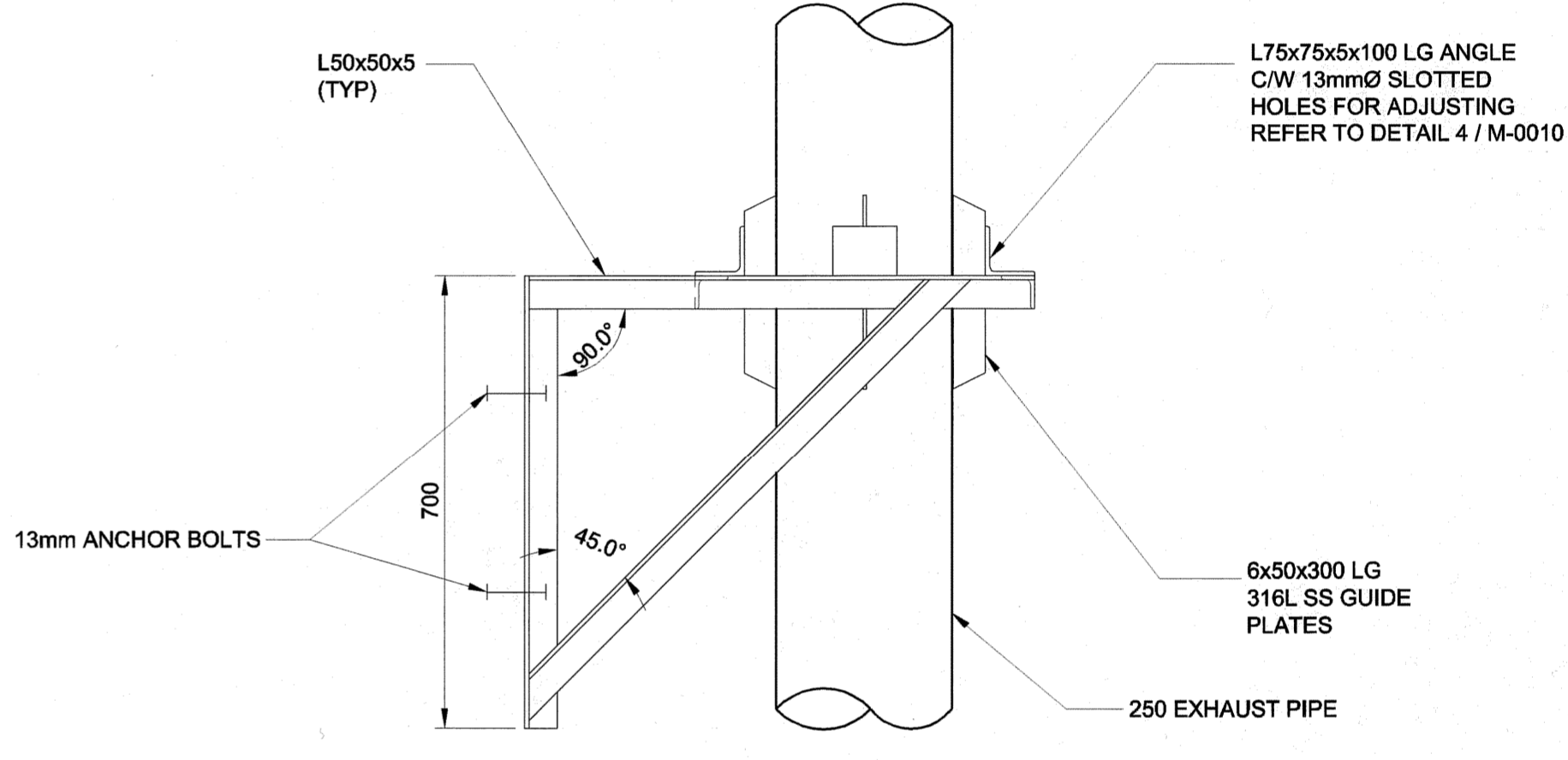
CHANNEL DETAIL 2 M-0010



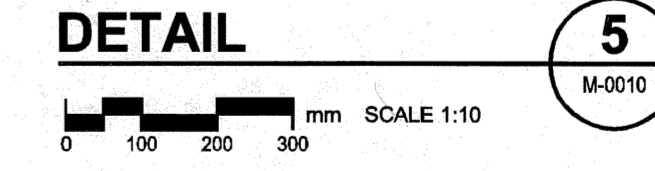
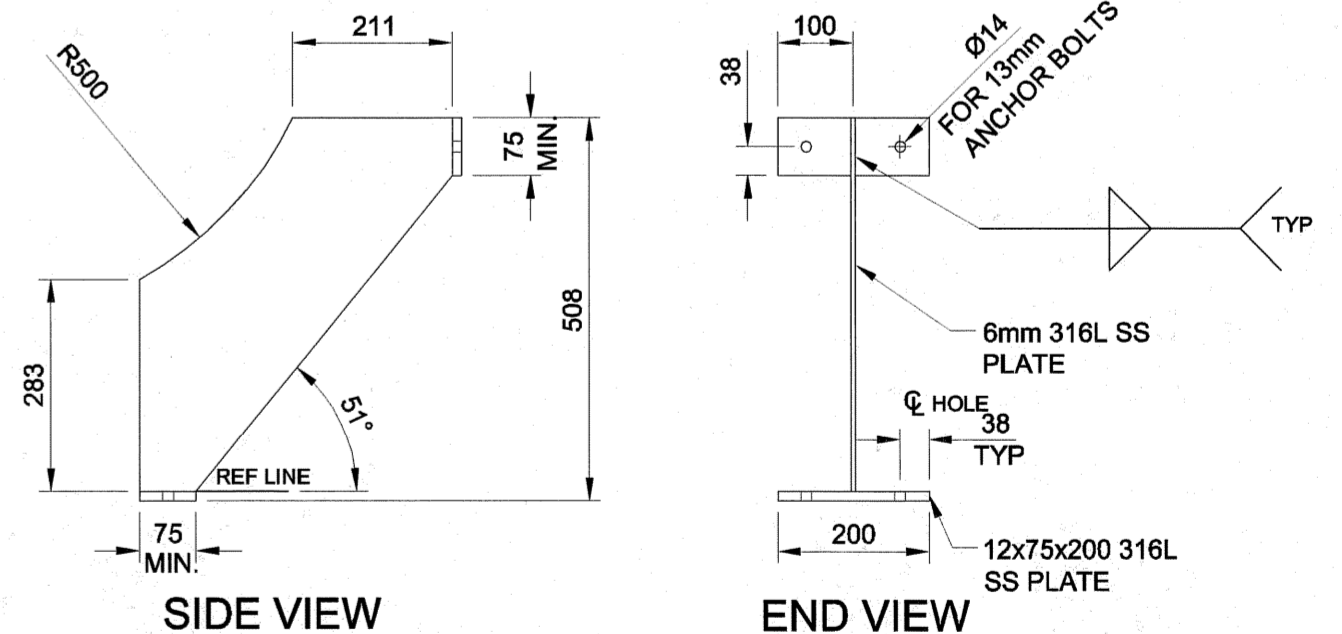
DETAIL 4 M-0010



SECTION A M-0010



GUIDE FRAME DETAIL 6 M-0010



DETAIL 5 M-0010

EXHAUST SUPPORT - CHASE LOCATIONS

| | | | |
|-----|-------|--------|-----|
| AL | RR | CC | BP |
| DRN | CHK | DES | ENG |
| UMA | AECOM | REVIEW | |

| | | | |
|-------------------------|---------------|-----------------|--|
| B.M. ELEV. | FIELD BOOK #: | UMA AECOM | ENGINEER'S SEAL |
| POSTED TO LBIS | | DESIGNED BY CAC | CHECKED BY |
| | | DRAWN BY RS | APPROVED BY |
| D ISSUED FOR ADDENDUM | 07/08/16 | ALS | RELEASED FOR CONSTRUCTION |
| C ISSUED FOR BID | 07/06/15 | RS | |
| B ISSUED FOR 99% REVIEW | 07/05/04 | RS | |
| A ISSUED FOR 75% REVIEW | 07/03/15 | RS | |
| NO. REVISIONS | DATE | BY | FILENAME: D265-199-00_01-M-0010_RX.dwg |

THE CITY OF WINNIPEG
WATER AND WASTE DEPARTMENT

G. C. MACLEAN PUMPING STATION
Contract No.
Natural Gas Engine Drives Replacement
Mechanical - New Construction
ENGINE P-22 & P-26 EXHAUST DETAILS

CITY DRAWING NUMBER: **1-0630A-D-M0010** SHEET: **001** REV: **D** SIZE: **D**