

**PLAN**  
 SCALE 1:100  
 0 1000 2000 3000 mm

**IMPORTANT: ASBESTOS NOTIFICATION AND ACKNOWLEDGMENT**

Every effort has been made to identify known asbestos containing materials within the areas of the proposed work. As a precautionary measure, when material is encountered by trades and contractors that is suspect or suspicious, the Trade/Contractor/Subcontractor is to contact the Contract Administrator who will have samples taken and tested to confirm its composition.

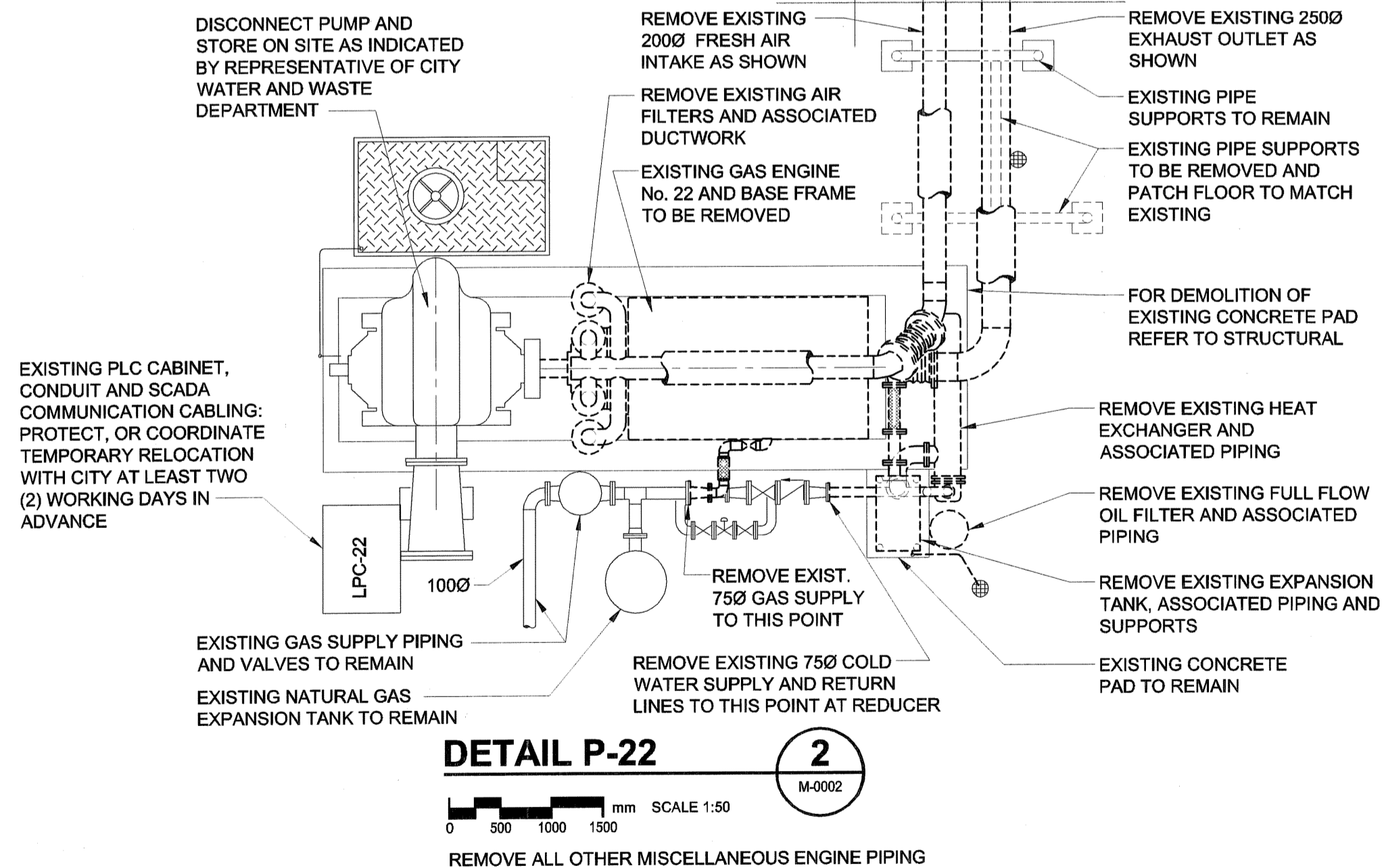
Ms. Reg. 53-68 (Workplaces Health Hazard Regulation), Ms. Reg. 100-68R (Fibrosis and Silicosis Regulation) and associated Guidelines apply to all maintenance and renovation work that may disturb asbestos or suspect asbestos-containing materials in the Workplace. Such regulations and guidelines state that any disturbance of asbestos-containing materials may only be performed by workers or by an outside contractor who have first received the required training in asbestos-related procedures.

WORKING WITH ASBESTOS CAN BE DANGEROUS. INHALING ASBESTOS FIBERS CAN CAUSE VARIOUS TYPES OF LUNG DISEASE INCLUDING CANCER. SMOKING INCREASES THE RISK OF LUNG CANCER FROM ASBESTOS EXPOSURE.

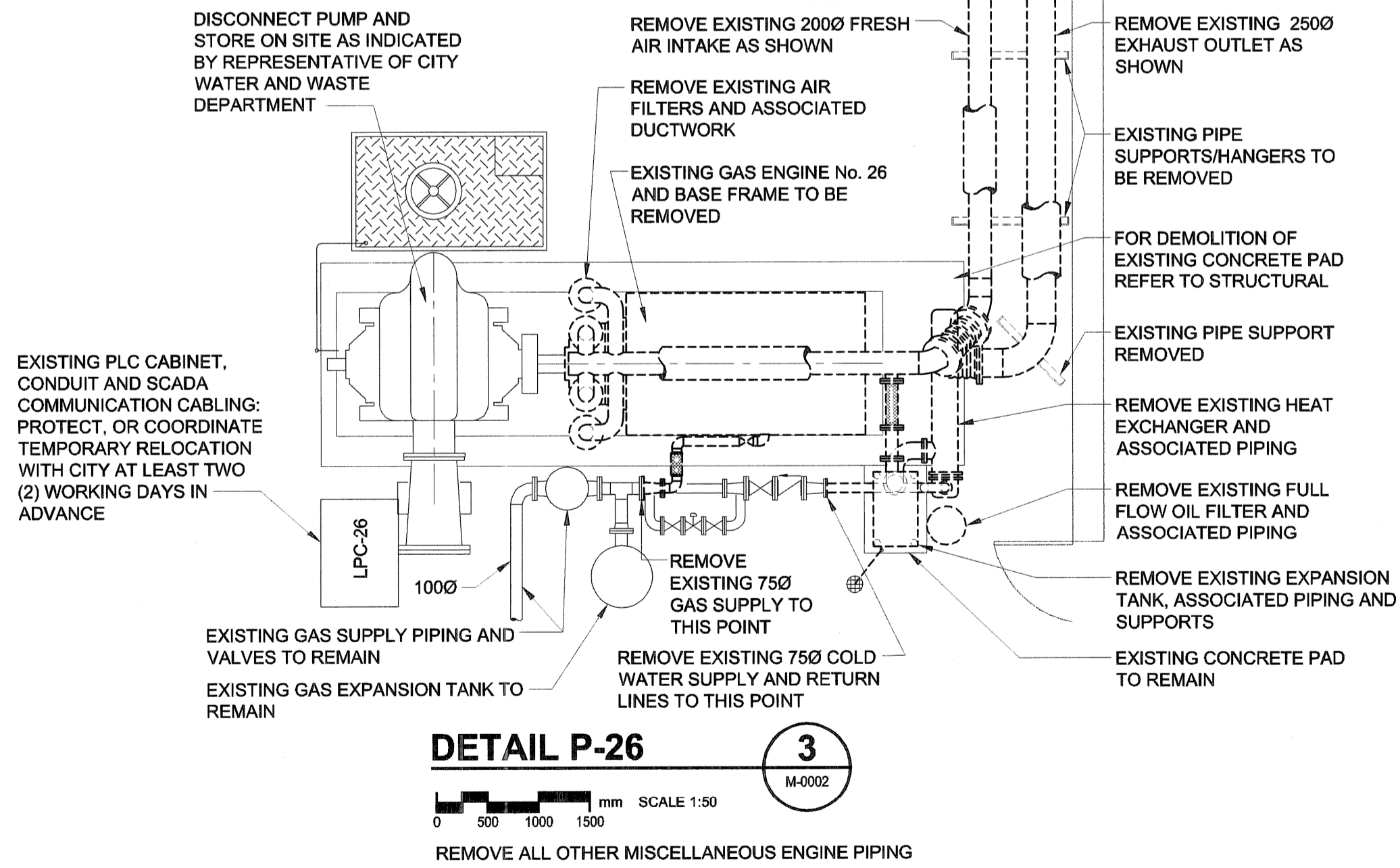
**ACKNOWLEDGMENT:**

In undertaking the work of this project, we the trade or contractor agree to perform our work in such a manner so as NOT to disturb any asbestos-containing materials without:

- giving notice to the appropriate supervisor, individual manager and/or project coordinator at the Water And Waste Department that known or suspected asbestos-containing material(s) will be needed to be disturbed, or
- halting work and giving notice to the Contract Administrator when unforeseen suspected asbestos-containing materials are uncovered during the provisions of services/materials.



**DETAIL P-22**  
 SCALE 1:50  
 0 500 1000 1500 mm



**DETAIL P-26**  
 SCALE 1:50  
 0 500 1000 1500 mm

EXISTING PLC CABINET, CONDUIT AND SCADA COMMUNICATION CABLING: PROTECT, OR COORDINATE TEMPORARY RELOCATION WITH CITY AT LEAST TWO (2) WORKING DAYS IN ADVANCE

EXISTING PLC CABINET, CONDUIT AND SCADA COMMUNICATION CABLING: PROTECT, OR COORDINATE TEMPORARY RELOCATION WITH CITY AT LEAST TWO (2) WORKING DAYS IN ADVANCE

- NOTE:**
- WORK SHALL BEGIN WITH ENGINE P26 UNLESS OTHERWISE DIRECTED BY THE REPRESENTATIVE OF THE CITY WATER AND WASTE DEPT., OR THE CONTRACT ADMINISTRATOR
  - FLOOR TILE TO BE PATCHED AT ANY LOCATIONS WHERE EQUIPMENT OR SUPPORTS ARE REMOVED.

DRN	CHK	DES	ENG	IDR
UMA   AECOM REVIEW				

**APEGM**  
 Certificate of Authorization  
 UMA Engineering Ltd. (MB)  
 No. 256 Date: June 15-07

B.M. ELEV.	FIELD BOOK #:	UMA   AECOM	
POSTED TO LBS		DESIGNED BY: CAC	CHECKED BY: ---
		DRAWN BY: RJP	APPROVED BY: ---
C	ISSUED FOR BID	07/06/15	RJP
B	ISSUED FOR 99% REVIEW	07/05/04	RJP
A	ISSUED FOR 75% REVIEW	07/03/15	RJP
NO.	REVISIONS	DATE	BY

© 2008 UMA ENGINEERING LTD. ALL RIGHTS RESERVED.	
HOR. SCALE AS NOTED	RELEASED FOR CONSTRUCTION
VERTICAL AS NOTED	
DATE 07/03/09	DATE
FILENAME: D265-199-00_01-M-0002_RX.dwg	



**THE CITY OF WINNIPEG**  
 WATER AND WASTE DEPARTMENT

**G. C. MACLEAN PUMPING STATION**  
 Contract No.  
 Natural Gas Engine Drives Replacement  
 Mechanical - Demolition  
 PUMP/ENGINE LEVEL FLOOR PLAN

CITY DRAWING NUMBER: 1-0630A-D-M0002 SHEET: 001 REV: C