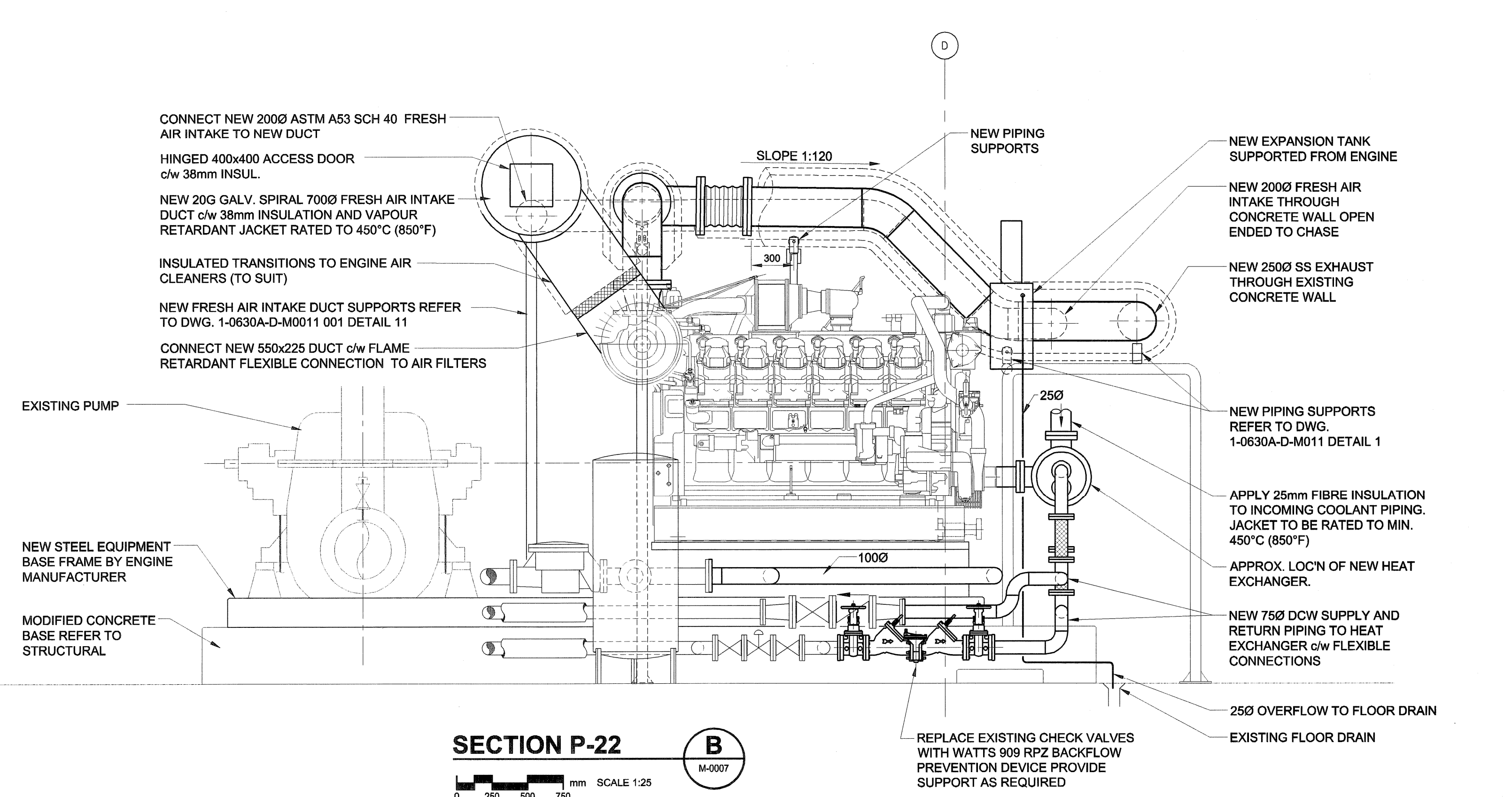


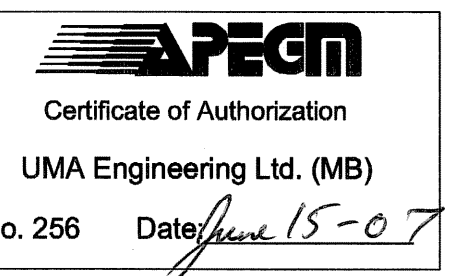
**SECTION P-22**  
SCALE 1:50  
M-0007



**SECTION P-22**  
SCALE 1:25  
M-0007

NOTE:

RW	RB	CC	BD
DRN	CHK	DES	ENG
			IDR
UMA   AECOM REVIEW			



**THE CITY OF WINNIPEG**  
WATER AND WASTE DEPARTMENT

**G. C. MACLEAN PUMPING STATION**  
Contract No.  
Natural Gas Engine Drives Replacement  
Mechanical - New Construction  
ENGINE 22 REPLACEMENT - SECTIONS

CITY DRAWING NUMBER: **1-0630A-D-M0008** SHEET: **001** REV: **C** SIZE: **D**

B.M. ELEV.	FIELD BOOK #:	UMA   AECOM		ENGINEER'S SEAL	
POSTED TO LBIS		DESIGNED BY: CAC		CHECKED BY: -----	
		DRAWN BY: RJP		APPROVED BY: -	
<b>C</b>	<b>ISSUED FOR BID</b>	<b>07/06/15</b>	<b>RJP</b>	HOR. SCALE <b>AS NOTED</b>	RELEASED FOR CONSTRUCTION
<b>B</b>	<b>ISSUED FOR 99% REVIEW</b>	<b>07/05/04</b>	<b>RJP</b>	VERTICAL <b>AS NOTED</b>	
<b>A</b>	<b>ISSUED FOR 75% REVIEW</b>	<b>07/03/15</b>	<b>RJP</b>	DATE <b>07/03/09</b>	DATE
NO. REVISIONS		DATE	BY	FILENAME: D265-199-00_01-M-0008_RX.dwg	

