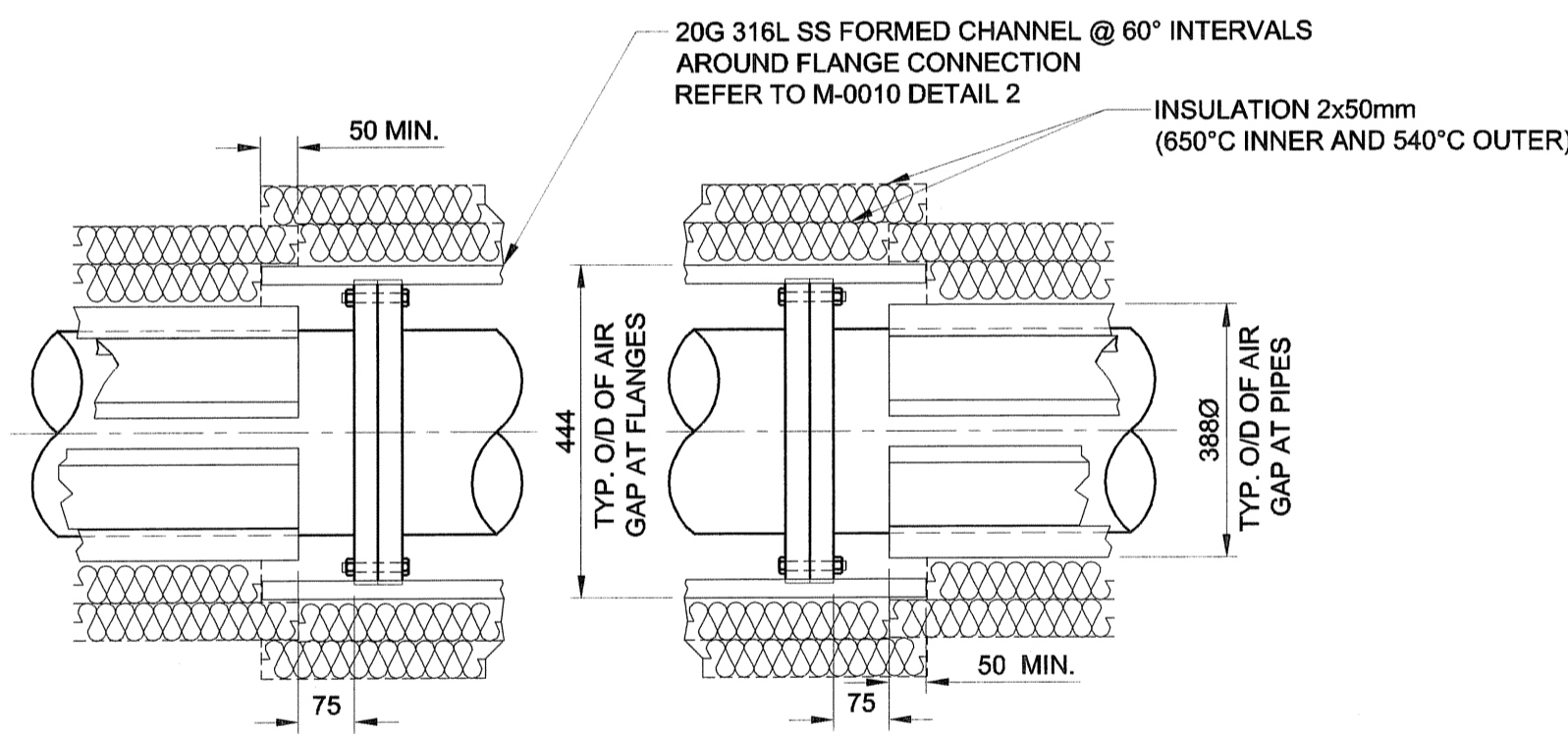
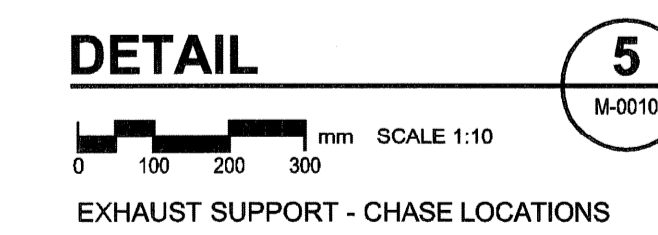
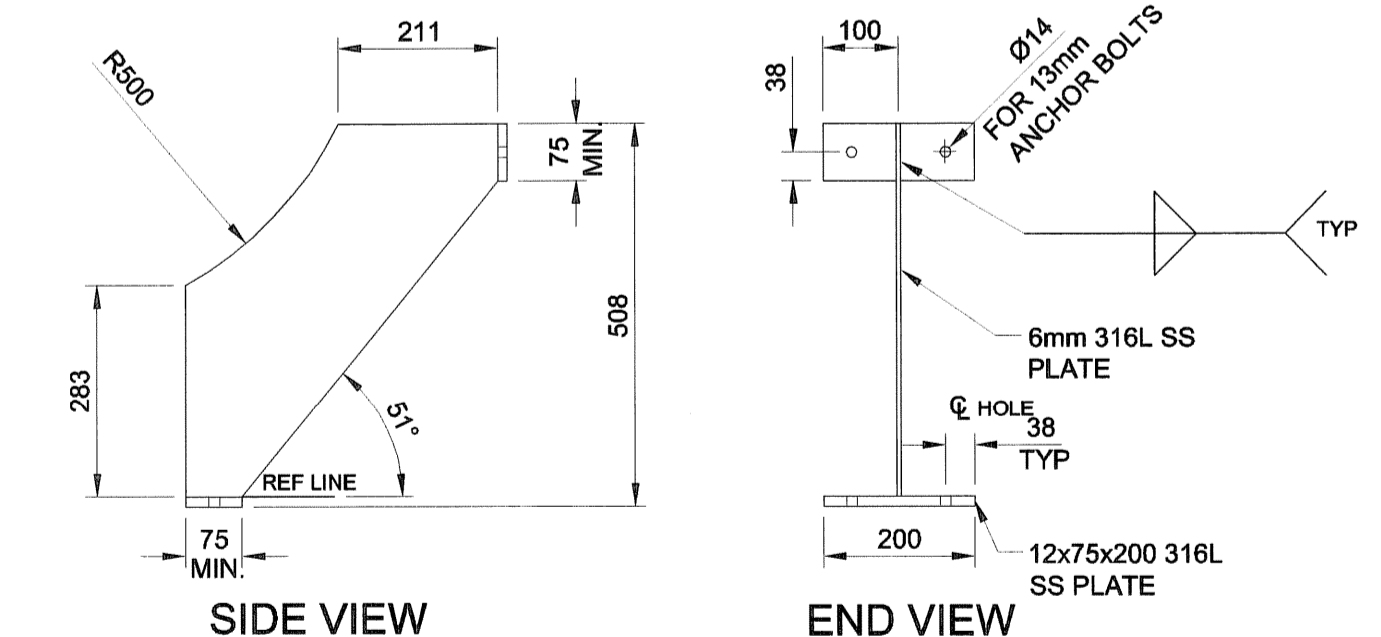
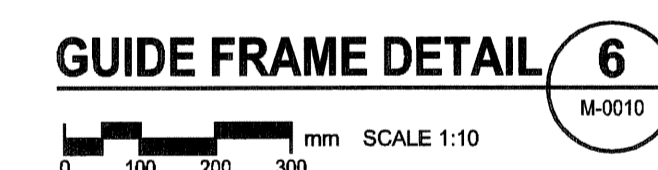
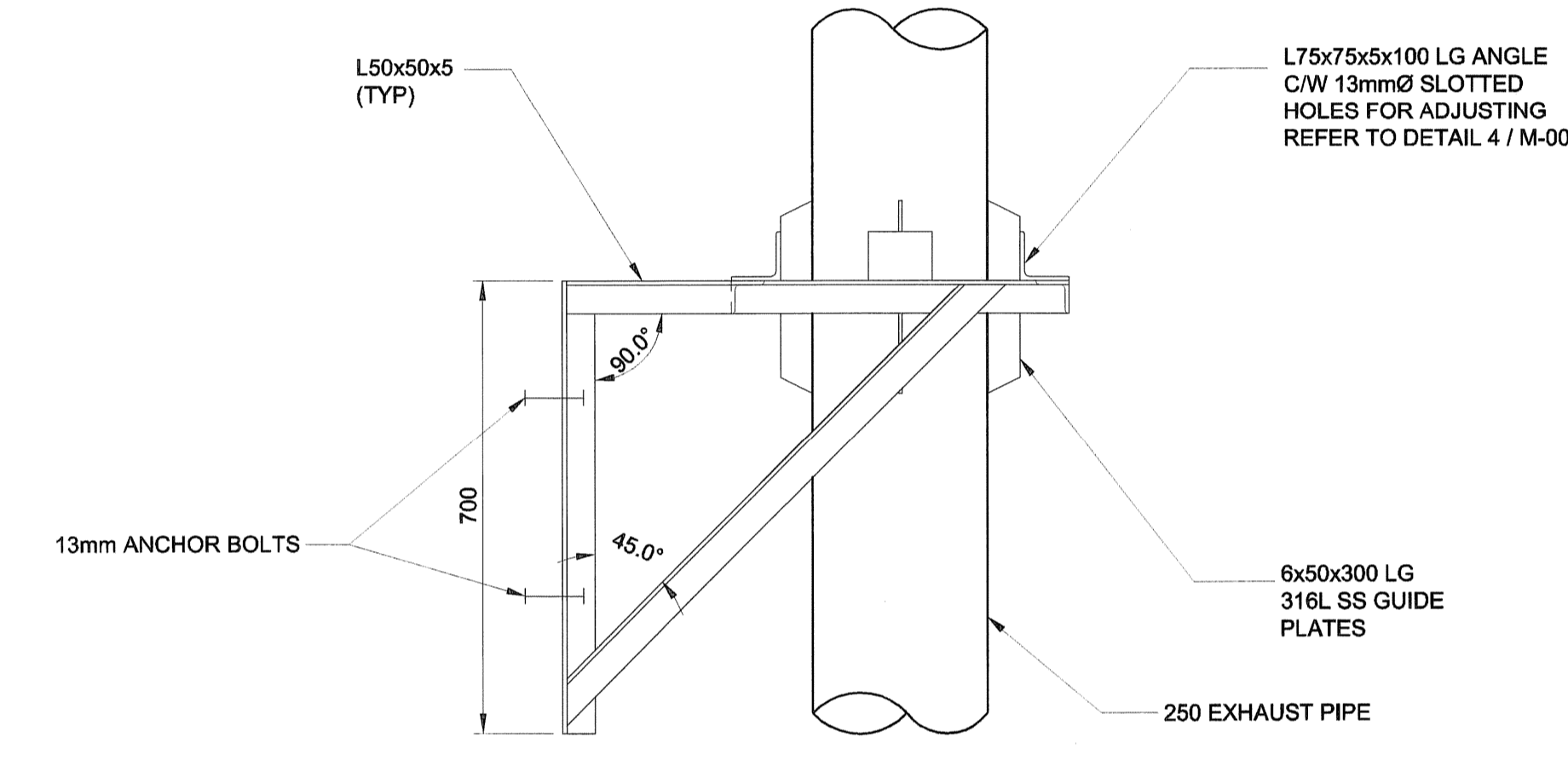
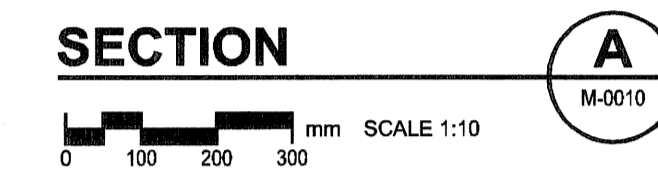
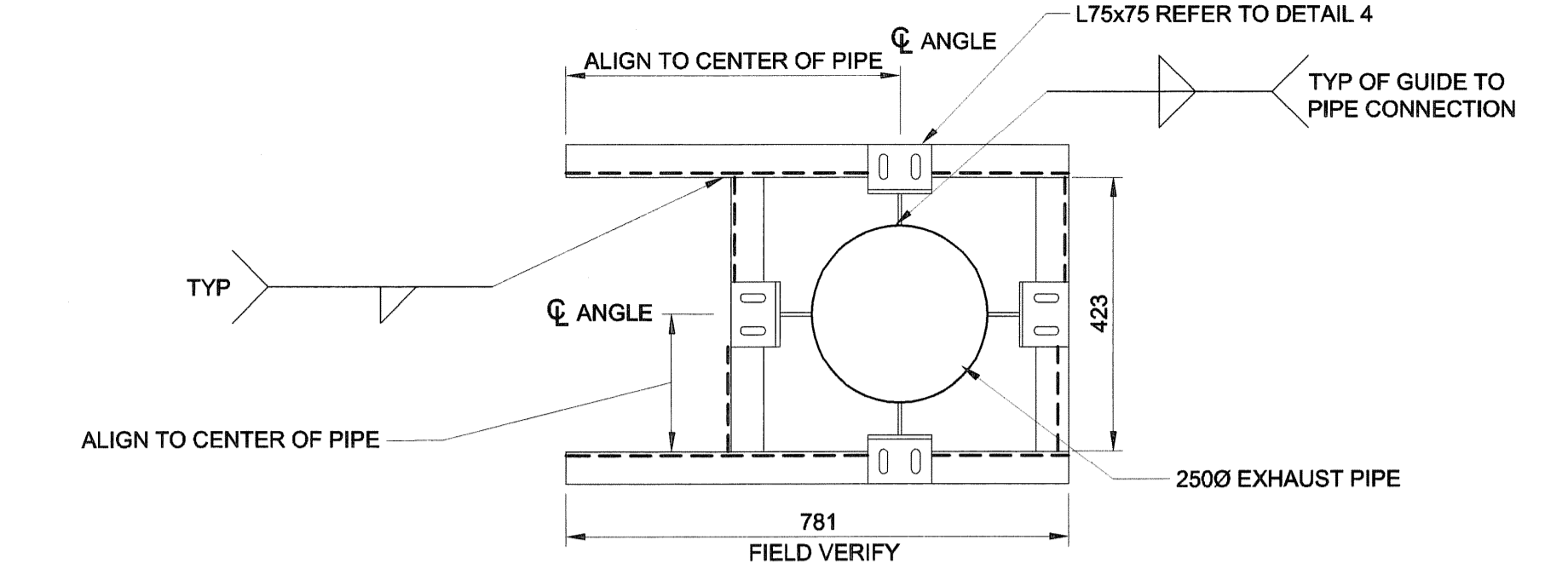
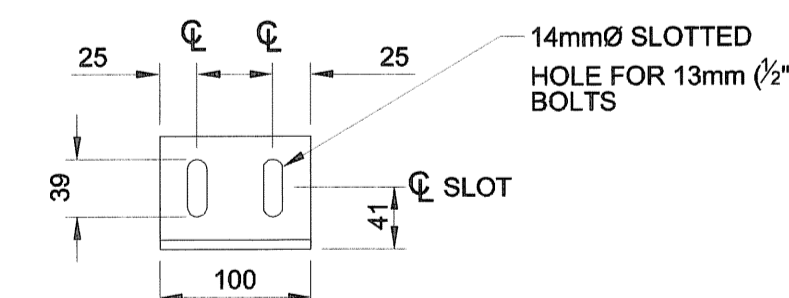
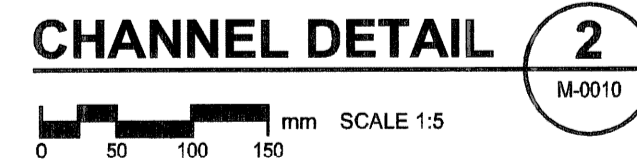
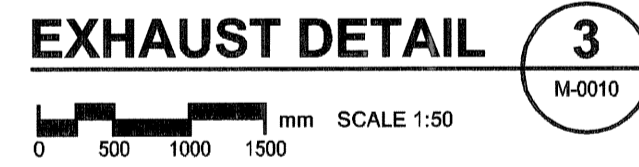
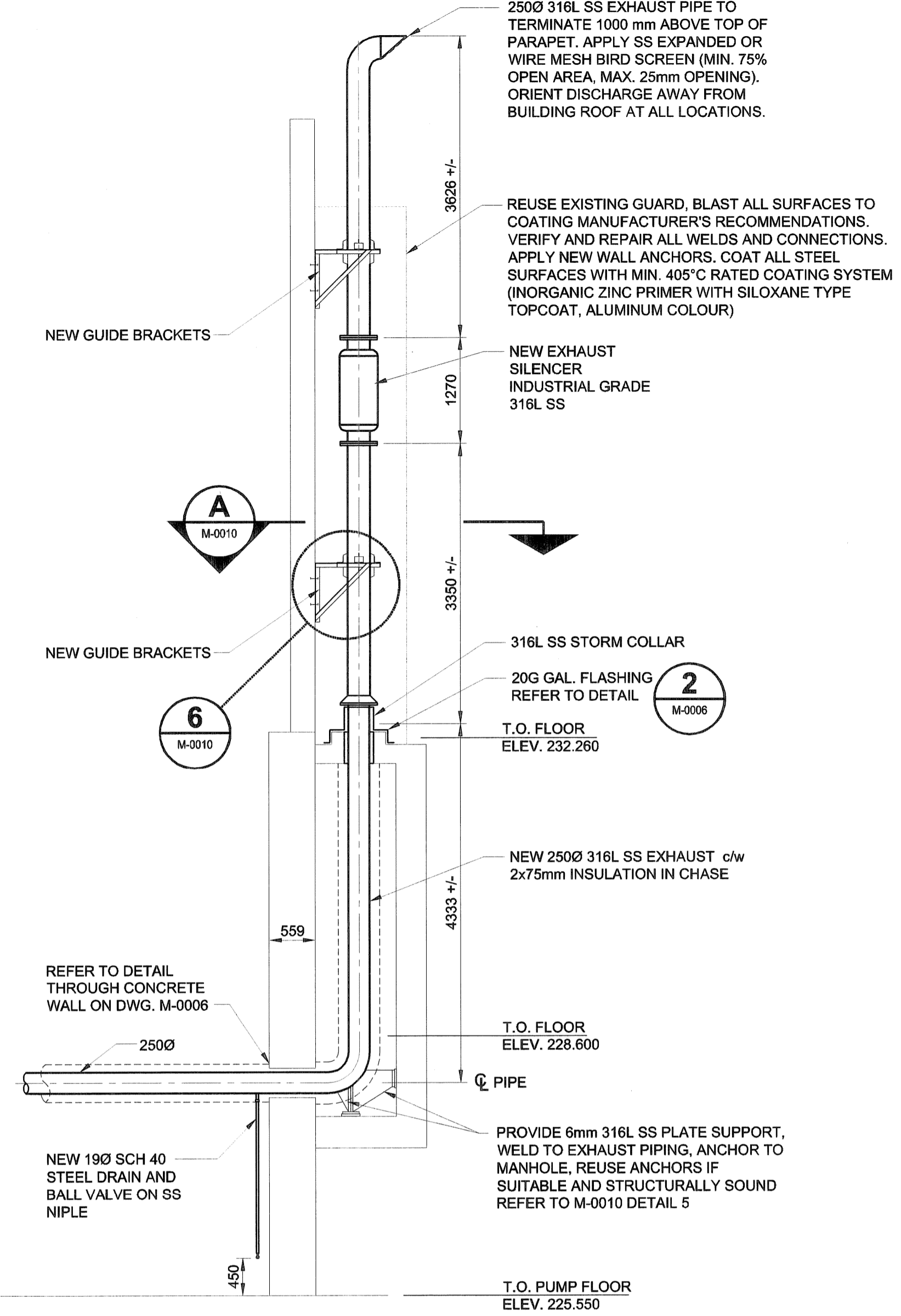
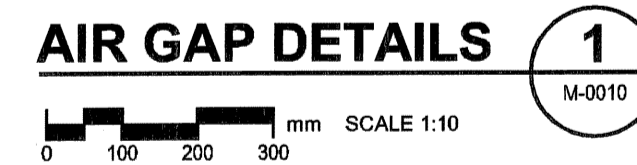


AIR GAP @ TYPICAL PIPE



AIR GAP TYPICAL @ FLANGE LOCATIONS ADAPT TO SUIT PIPE SUPPORTS



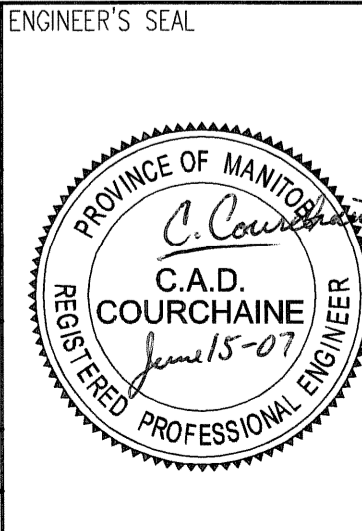
APECM
Certificate of Authorization
UMA Engineering Ltd. (MB)
No. 256 Date: June 15-07

DRN	CHK	DES	ENG	1DR

UMA/AECOM REVIEW

B.M. ELEV.	FIELD BOOK #:		
POSTED TO LBS			
DESIGNED BY	CAC	CHECKED BY	---
DRAWN BY	RS	APPROVED BY	---
C ISSUED FOR BID	07/06/15	RS	
B ISSUED FOR 99% REVIEW	07/05/04	RS	
A ISSUED FOR 75% REVIEW	07/03/15	RS	
NO. REVISIONS	DATE	BY	FILENAME: D265-199-00_01-M-0010_RX.dwg

UMA AECOM	
© 2008 UMA ENGINEERING LTD. ALL RIGHTS RESERVED.	
HOR. SCALE AS NOTED	RELEASED FOR CONSTRUCTION
VERTICAL AS NOTED	DATE
DATE 07/03/09	DATE



THE CITY OF WINNIPEG
WATER AND WASTE DEPARTMENT

G. C. MACLEAN PUMPING STATION
Contract No.
Natural Gas Engine Drives Replacement
Mechanical - New Construction
ENGINE P-22 & P-26 EXHAUST DETAILS

CITY DRAWING NUMBER: 1-0630A-D-M0010 001 C D