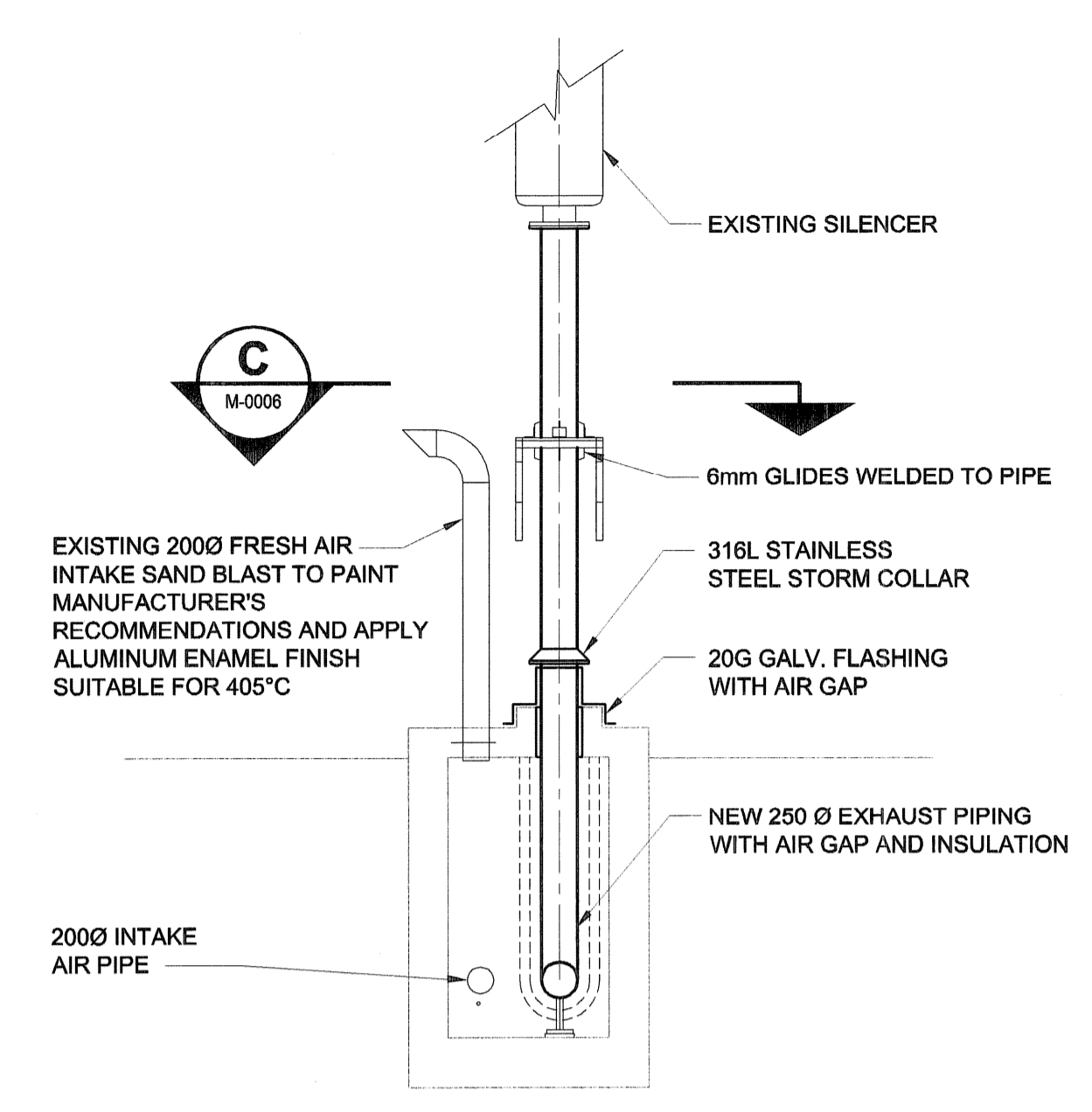
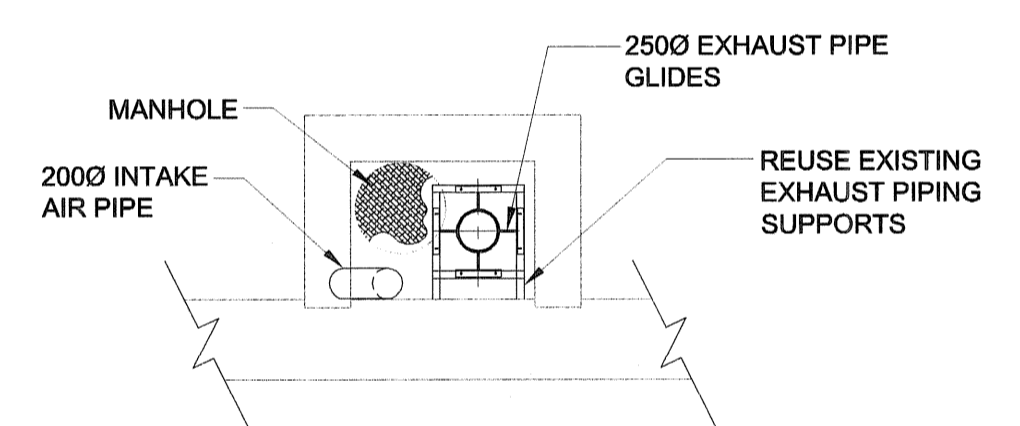


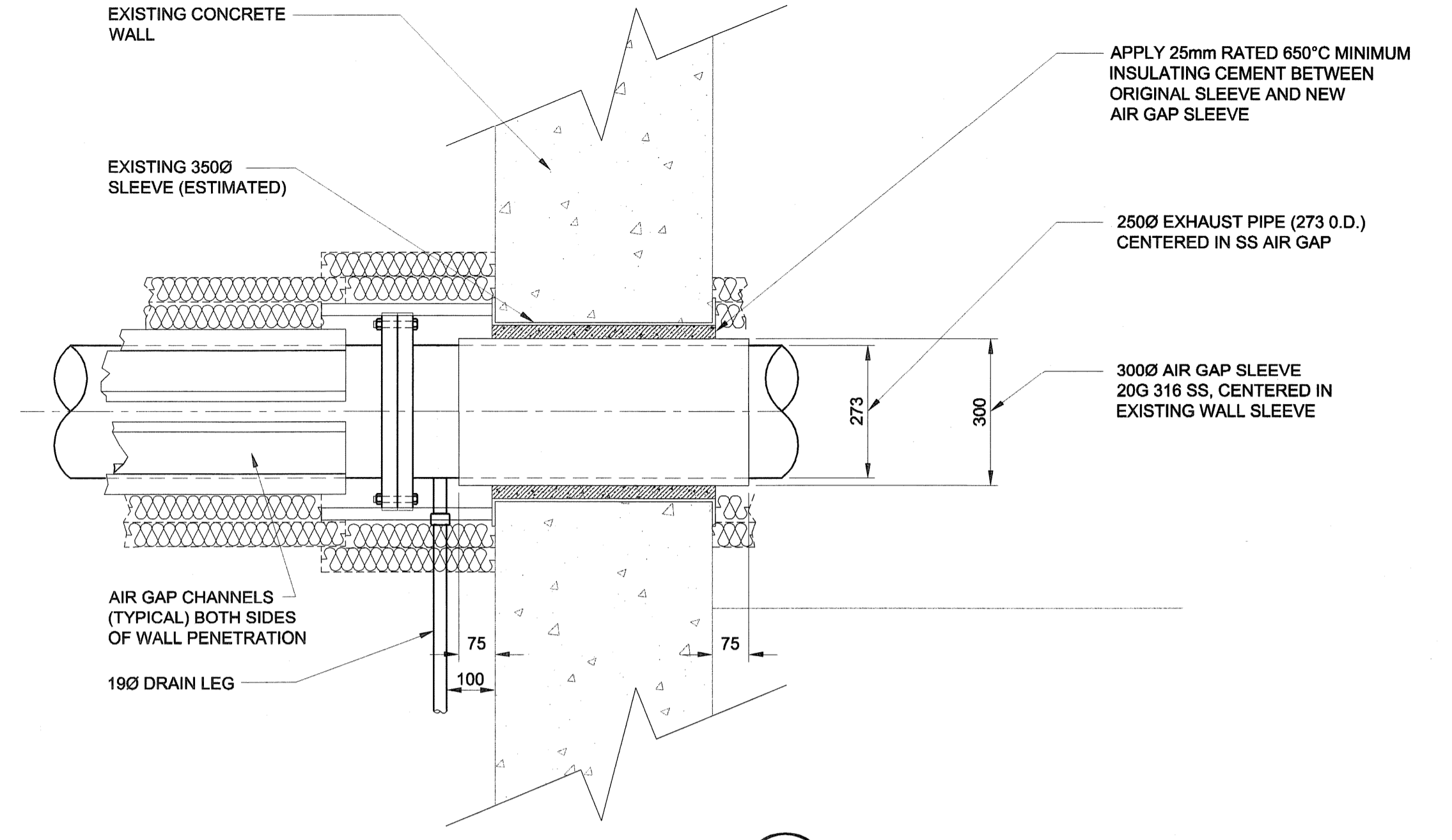
SECTION A
SCALE 1:50
TYPICAL FOR ENGINES P1, P3, & P5



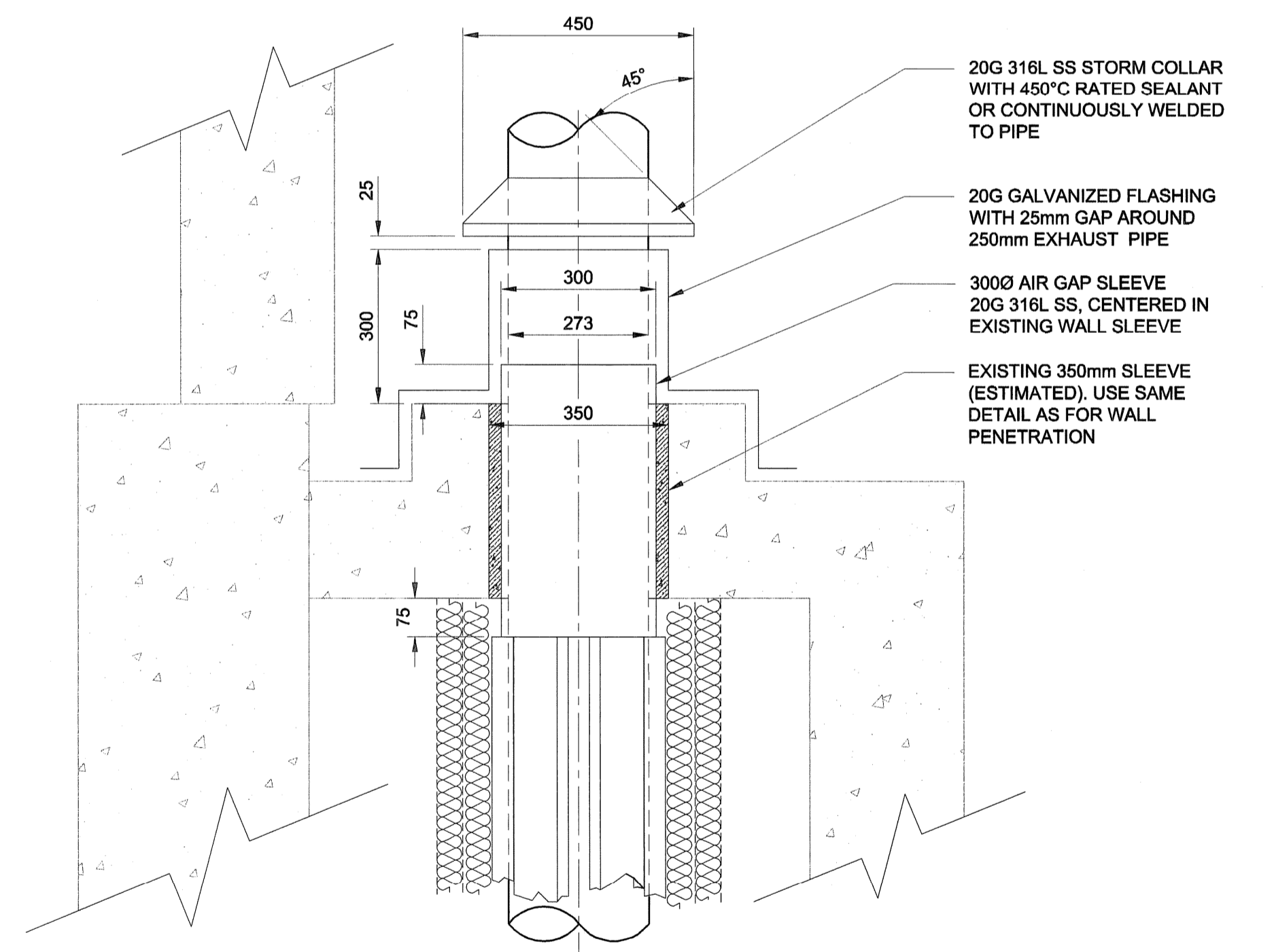
SECTION B
SCALE 1:50
TYPICAL FOR ENGINES P1, P3 & P5



SECTION C
SCALE 1:50
TYPICAL FOR ENGINES P1, P3 & P5



WALL PENETRATION 1
SCALE 1:10
TYPICAL ALL LOCATIONS



CURB PENETRATION 2
SCALE 1:10
TYPICAL ALL LOCATIONS

- NOTE:**
- EXHAUST PIPE EXPANSION JOISTS TO PROVIDE A MINIMUM OF 37mm (1.5") AXIAL AND 12mm (0.5") LATERAL DEFLECTION UNLESS OTHERWISE NOTED.
 - FLANGED EXPANSION JOISTS SHALL BE USED.
 - EXHAUST PIPE SUPPORTS TO BE ROLLER TYPE EXCEPT WHERE SHOWN AS FIXED.
 - FIXED SUPPORTS SHALL PREVENT MOTION OF PIPE AT THAT LOCATION. DETAILS ON 1-0630A-D-M0011
 - STAINLESS STEEL WELDING SHALL BE ACCORDING TO ANSI/AWS D10.4-86(52000). SUBMIT PROPOSED FILLER MATERIAL AND PROCEDURE PRIOR TO WELDING.
 - ALL AIR INTAKE PIPING SUPPORTS TO BE ROLLER TYPE.
 - FINAL LOCATION OF EXHAUST AND COMBUSTION AIR PIPING TO BE ADJUSTED TO SUIT ENGINE SELECTION.

DRN	CHK	DES	ENG	ITR
UMA AECOM REVIEW				

B.M. ELEV.	FIELD BOOK #:	UMA AECOM	
POSTED TO LBS		DESIGNED BY CAC	CHECKED BY
		DRAWN BY RJP	APPROVED BY
		HOR. SCALE AS NOTED	RELEASED FOR CONSTRUCTION
		VERTICAL AS NOTED	
C	ISSUED FOR BID	07/06/15	RJP
B	ISSUED FOR 99% REVIEW	07/05/04	RJP
A	ISSUED FOR 75% REVIEW	07/03/15	RJP
NO.	REVISIONS	DATE	BY
			FILENAME: D265-199-00_01-M-0006_RX.dwg

ENGINEER'S SEAL

PROVINCE OF MANITOBA
C.A.D. COURCHAINE
15-07
REGISTERED PROFESSIONAL ENGINEER

APEGM
Certificate of Authorization
UMA Engineering Ltd. (MB)
No. 256 Date: June 15-07

THE CITY OF WINNIPEG
WATER AND WASTE DEPARTMENT

McPHILLIPS PUMPING STATION
Contract No.
Natural Gas Engine Drives Replacement
Mechanical - P1, P3, & P5
ENGINE EXHAUST DETAILS

CITY DRAWING NUMBER SHEET REV. SIZE
1-0640A-D-M0006 001 C D