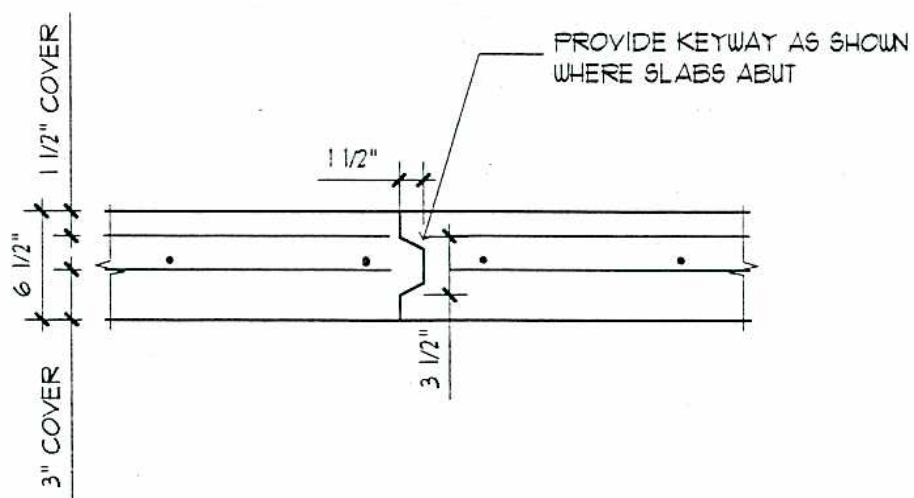


1  
 S-2  
**CROSS SECTION**  
 1" = 1'-0"



2  
 S-2  
**TYP. KEYWAY**  
 1" = 1'-0"