

SEWER SERVICE RECORD INFORMATION		
ADDRESS	SIZE	R. DIST. JUNCTION TIE
52 SPRINGSIDE DR RESIDENTIAL	150	-
53 SPRINGSIDE DR RESIDENTIAL	150	-
55 SPRINGSIDE DR RESIDENTIAL	150	-
56 SPRINGSIDE DR RESIDENTIAL	150	-
59 SPRINGSIDE DR RESIDENTIAL	150	-
60 SPRINGSIDE DR RESIDENTIAL	150	-
62 SPRINGSIDE DR RESIDENTIAL	150	-
63 SPRINGSIDE DR RESIDENTIAL	150	-
66 SPRINGSIDE DR RESIDENTIAL	150	-
67 SPRINGSIDE DR RESIDENTIAL	150	-
68 SPRINGSIDE DR RESIDENTIAL	150	-

INFORMATION FROM PANEL 10 & HOUSEFILES

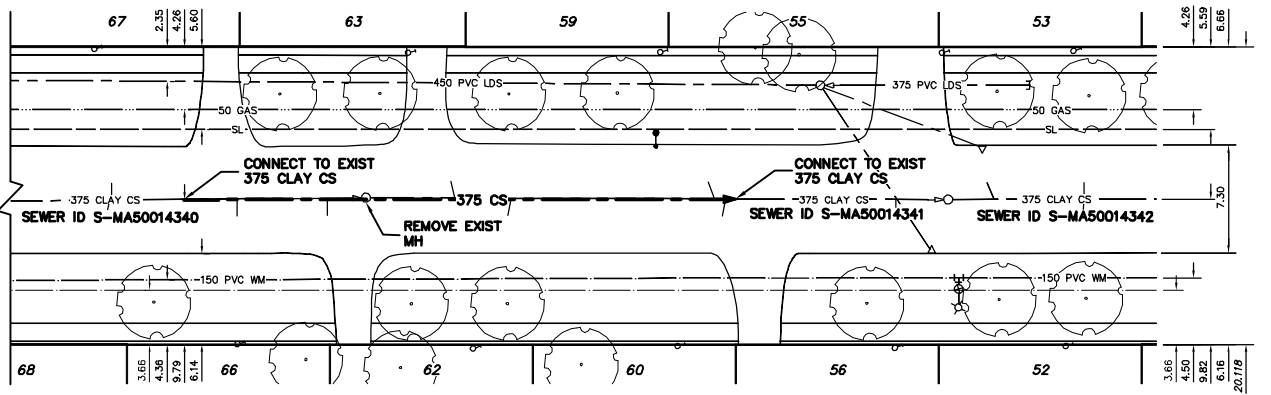
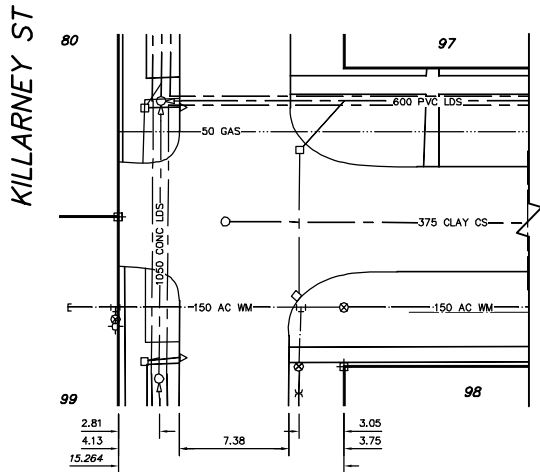
NOTE:
FOR SEWER ELEVATIONS IN PROFILE
(S) = INV FROM SURVEY
(R) = INV FROM RECORD DRAWING OR LBS

NOTE: CHAINAGES SHOWN ARE ALONG S.P. OF SPRINGSIDE DR.

SPRINGSIDE DRIVE

WATER SERVICE INFORMATION

ADDRESS	SIZE(mm) & TYPE (STREET)	SIZE(mm) & TYPE (PROP)	SHORT & LONG MEASUREMENT	CORP. LOCATION	REMARKS
52 SPRINGSIDE DR RESIDENTIAL	-	-	218.39 EEL KILLARNEY	-	-
53 SPRINGSIDE DR RESIDENTIAL	-	13 LEAD	219.37 EEL KILLARNEY	-	-
55 SPRINGSIDE DR RESIDENTIAL	-	13 LEAD	210.65 EEL KILLARNEY	-	-
56 SPRINGSIDE DR RESIDENTIAL	-	-	207.48 EEL KILLARNEY	-	-
59 SPRINGSIDE DR RESIDENTIAL	-	13 LEAD	191.10 EEL KILLARNEY	-	-
60 SPRINGSIDE DR RESIDENTIAL	-	-	192.58 EEL KILLARNEY	-	-
62 SPRINGSIDE DR RESIDENTIAL	-	-	178.34 EEL KILLARNEY	-	-
63 SPRINGSIDE DR RESIDENTIAL	-	20 LEAD	174.0 EEL KILLARNEY	-	-
66 SPRINGSIDE DR RESIDENTIAL	-	-	162.56 EEL KILLARNEY	-	-
67 SPRINGSIDE DR RESIDENTIAL	-	20 LEAD	153.29 EEL KILLARNEY	-	-



- CONSTRUCTION NOTES:
- SEWER TO BE RENEWED BY TRENCHLESS METHODS.
 - CONFIRM THE LOCATION OF ALL SEWER SERVICES WITHIN LIMITS OF RENEWAL.
 - BACKFILL UNDER PAVEMENT, IN SIDEWALKS, & WITHIN 1.0 m OF PAVEMENT TO BE CLASS 3.
 - BACKFILL IN BOULEVARD TO BE CLASS 5.
 - SEWER SERVICES TO BE INSTALLED AT A MINIMUM 1.0% SLOPE.
 - CONTRACTOR TO PROVIDE VIDEO INSPECTION OF SEWER SERVICES WITHIN LIMITS OF REPAIR IN PRESENCE OF CONTRACT ADMINISTRATOR TO DETERMINE IF SERVICE RENEWAL IS REQUIRED.

SEWER JUNCTION INFORMATION FROM SEWER VIDEO INSPECTION S-MA50014340			
DISTANCE FROM MH S-MH50011462			
53.30	E	150	SOUTH GN
53.40	E	150	NORTH 86 SPRINGSIDE
61.90	E	150	SOUTH 67 SPRINGSIDE
68.00	E	150	SOUTH 68 SPRINGSIDE

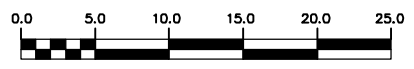
SEWER JUNCTION INFORMATION FROM SEWER VIDEO INSPECTION S-MA50014341			
DISTANCE FROM MH S-MH50011463			
6.00	E	150	NORTH 63 SPRINGSIDE
9.80	E	150	SOUTH 62 SPRINGSIDE
23.50	E	150	NORTH 59 SPRINGSIDE
24.30	E	150	SOUTH 60 SPRINGSIDE
24.30	E	150	SOUTH 56 SPRINGSIDE

SEWER JUNCTION INFORMATION FROM SEWER VIDEO INSPECTION S-MA50014342			
DISTANCE FROM MH S-MH50011464			
3.10	E	150	NORTH 55 SPRINGSIDE
9.20	E	150	NORTH 53 SPRINGSIDE
9.20	E	150	SOUTH 52 SPRINGSIDE

METRIC
WHOLE NUMBERS INDICATE MILLIMETRES
DECIMALIZED NUMBERS INDICATE METRES

WARNING

IF POWER EQUIPMENT OR EXPLOSIVES ARE TO BE USED FOR EXCAVATION ON THIS PROJECT THE CONTRACTOR MUST:
1) NOTIFY THE GAS COMPANY OF THE PROPOSED LOCATION OF EXCAVATION.
2) TAKE PRECAUTION TO AVOID DAMAGE TO GAS COMPANY INSTALLATIONS.
SEE PROVINCIAL REGULATION 210/72 FOR DETAILS



200 WM	WATERMAIN	200 WM	SL, HYDRO	150 WM	WATERMAIN	150 WM	LOCATION APPROVED UNDERGROUND STRUCTURES
⊕	HYDRANT	⊕	MTS	⊕	HYDRANT	⊕	POSTED TO LBS
⊙	VALVE	⊙	TRAFFIC SIGNALS	⊙	VALVE	⊙	DESIGNED BY NC
⊕	525 LDS LAND DRAINAGE SEWER	⊕	GAS	⊕	525 LDS LAND DRAINAGE SEWER	⊕	CHECKED BY TW
⊕	375 WWS WASTEWATER SEWER	⊕	50 GAS	⊕	375 WWS WASTEWATER SEWER	⊕	DRAWN BY CJH
○	MANHOLE	○	TRAFFIC SIGNALS	○	MANHOLE	○	APPROVED BY KZ
□	CATCH BASIN	□	POLE - HYDRO, MTS	□	CATCH BASIN	□	HOR. SCALE 1:250
▽	CURB INLET	▽	CURB STOP	▽	CURB INLET	▽	VERTICAL 1:50
⊕	JUNCTIONS	⊕	GUY ANCHOR	⊕	JUNCTIONS	⊕	RELEASED FOR CONSTRUCTION
⊕	CULVERT	⊕	LIGHT STANDARD	⊕	CULVERT	⊕	BID OPPORTUNITY: 638-2006
⊕	ANODE	⊕	TREE	⊕	ANODE	⊕	FILENAME: 05971.dwg
EXISTING	LEGEND-PLAN	PROPOSED	EXISTING	LEGEND-PLAN	PROPOSED	EXISTING	LEGEND-PROFILE

CITY OF WINNIPEG WATER AND WASTE ENGINEERING DIVISION

ENGINEER'S SEAL: ORIGINAL SIGNED BY K.R. ZUREK 10/20/06

DESIGNED BY NC, CHECKED BY TW, DRAWN BY CJH, APPROVED BY KZ

HOR. SCALE 1:250, VERTICAL 1:50

DATE: 2006 10 20

THE CITY OF WINNIPEG WATER AND WASTE DEPARTMENT

2006 COMBINED SEWER RENEWALS AND SEWER REPAIRS

SPRINGSIDE DRIVE

2ND MH E OF KILLARNEY STREET TO 3RD MH E OF KILLARNEY STREET

SHEET 6 OF 17

CITY DRAWING NUMBER 05971