

**A** FOUNDATION PLAN  
1:25

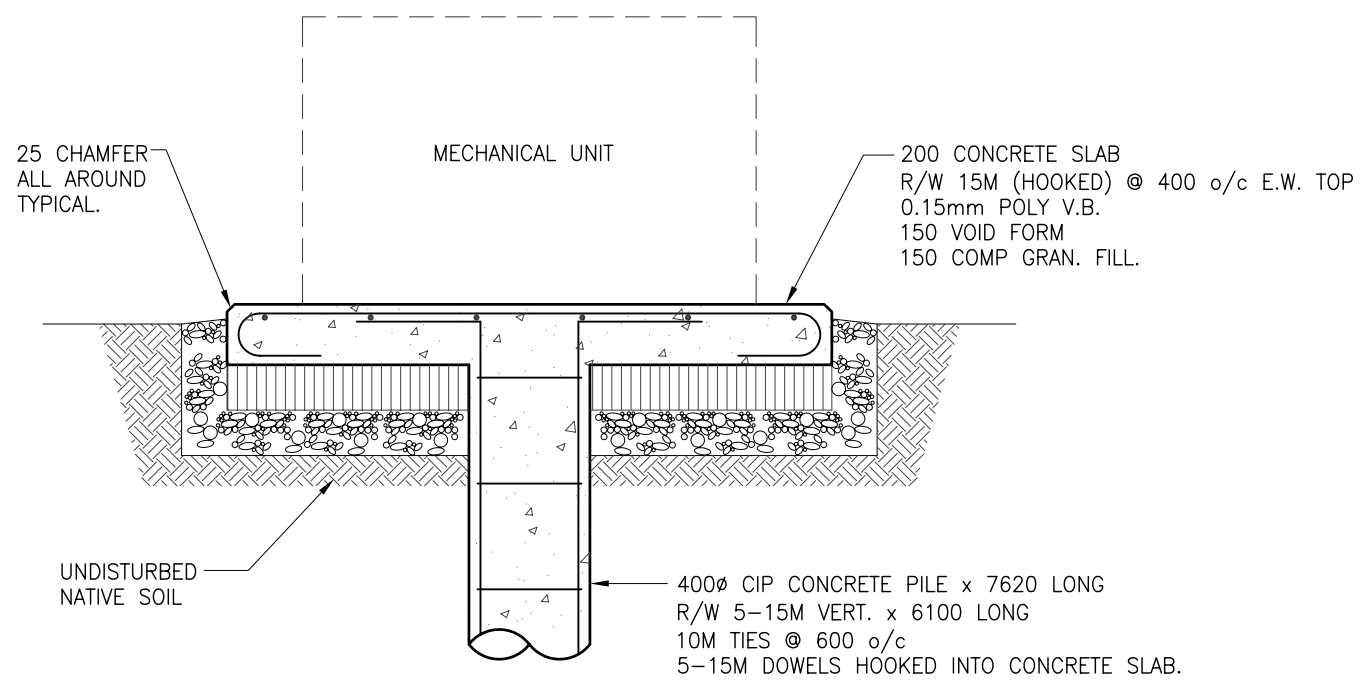
**GENERAL NOTES**

**GENERAL**

- DO NOT SCALE DRAWINGS.
- VERIFY ALL DIMENSIONS SHOWN WITH CONTRACT ADMINISTRATOR PRIOR TO COMMENCING CONSTRUCTION.
- VERIFY WEIGHT AND LOCATION OF ALL EQUIPMENT ON STRUCTURE AND REPORT ANY DISCREPANCIES TO CONTRACT ADMINISTRATOR PRIOR TO CONSTRUCTION.
- LOCATE UNDERGROUND SERVICES AND PROTECT THEM AT ALL TIMES DURING CONSTRUCTION.
- STRUCTURAL DRAWINGS SHOWING THE COMPLETED STRUCTURE DO NOT INDICATE COMPONENTS WHICH MAY BE NECESSARY FOR SAFETY DURING CONSTRUCTION.
- FASTEN MECHANICAL UNIT TO CONCRETE SLAB IN ACCORDANCE WITH MANUFACTURER'S RECOMMENDATION.

**EARTHWORK**

- EXCAVATE AS REQUIRED AND REMOVE FROM SITE MATERIALS NOT REQUIRED FOR BACKFILL OR GRADING.
- BACKFILL WITH MATERIALS INDICATED ON DRAWINGS AND SPECIFICATIONS.
- COMPACTION (STANDARD PROCTOR DRY DENSITY):
  - SUBGRADE: 95%



**1** SECTION THRU FOUNDATION  
1:25

**CAST-IN-PLACE CONCRETE**

- ALL CONCRETE TO BE MANUFACTURED AND INSTALLED IN ACCORDANCE WITH LATEST EDITION OF CSA A23.1 AND CSA A23.2.
- CONCRETE STRENGTH AT 28 DAYS SHALL BE AS FOLLOWS UNLESS NOTED OTHERWISE ON DRAWINGS:

**1. PILES:**

- TYPE 50 CEMENT; WATER/CEMENT RATIO 0.45; SLUMP MINIMUM 125 mm (5");
- AGGREGATE MAXIMUM 40 mm (1 1/2");
- ENTRAINED AIR 4-7%

**2. STRUCTURAL SLABS:**

- 25 MPa;
- SLUMP MAX. 90 mm;
- AGGREGATE MAX. 20 mm;
- ENTRAINED AIR; 3-5%

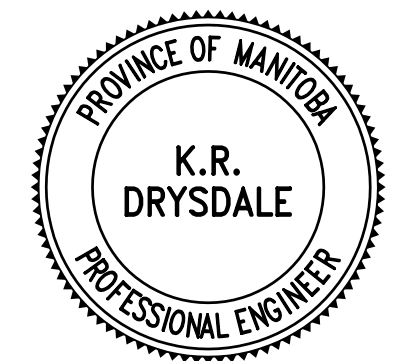
3. AIR ENTRAINING ADMIXTURES SHALL CONFORM TO REQUIREMENTS OF CSA A266.4.

**REINFORCING STEEL**

- ALL REINFORCING STEEL TO BE CSA G30.12 M 400 MPa DEFORMED BARS EXCEPT STIRRUPS WHICH MAY BE 300 MPa GRADE STEEL. ALL REINFORCING TO BE DETAILED IN ACCORDANCE WITH LATEST EDITION OF ACI DETAILING MANUAL, UNLESS OTHERWISE NOTED.
- REINFORCING STEEL COVER TO CONFORM TO LATEST EDITION OF CSA A23.3 AND AS FOLLOWS:
  - SLABS: 1 IN. (25 mm)
  - PILE: 3 IN. (75 mm)

**FORMWORK**

- USE 6" (150 mm) CARDBOARD VOID FORM WRAPPED IN POLYETHYLENE SHEETS AS BOTTOM FORM FOR STRUCTURAL SLABS. ACCESSORIES SUCH AS HI-CHAIRS, SPACERS, ETC. SHALL BE SUPPORTED USING PADS OF PLYWOOD OR TEMPERED FIBREBOARD TO PREVENT PUNCTURING FORM.
- PLACE 6 MIL (0.15 mm) POLYETHYLENE UNDER ALL SLABS.



**APEGM**  
Certificate of Authorization  
Accutech Engineering Inc.  
No. 1660 Expiry: April 30, 2007

7				
6				
5				
4				
3				
2				
1				
0	ISSUED FOR TENDER	RAL	KRD	JUNE 29 2006
REV	DESCRIPTION	DWN	APP	REV DATE

**Accutech Engineering Inc.**  
Tomorrow's Technology Today  
605-287 Broadway, Winnipeg, Manitoba Canada R3C-0R9  
Phone (204) 944-1555 Fax (204) 944-1444  
www.accutecheng.ca

PROJECT  
**CITY OF WINNIPEG**  
BONIVITAL POOL - GENERATOR SUPPORT FOUNDATION

SHEET TITLE  
FOUNDATION PLAN  
SECTION AND  
GENERAL NOTES

DRAWN BY	CHECKED BY	DATE	SHEET NO
RAL	PG	JUNE 29 2006	S01
DESIGNED BY	CHECKED BY	SCALE	REVISION NO
PG	KRD	AS NOTED	0

W:\Engineering Projects\1015 - City of Winnipeg\1015 - 15 kW Generator Support Foundations\Drawings\Issued for Tender - June 29 2006\S01 Foundation Plan.dwg