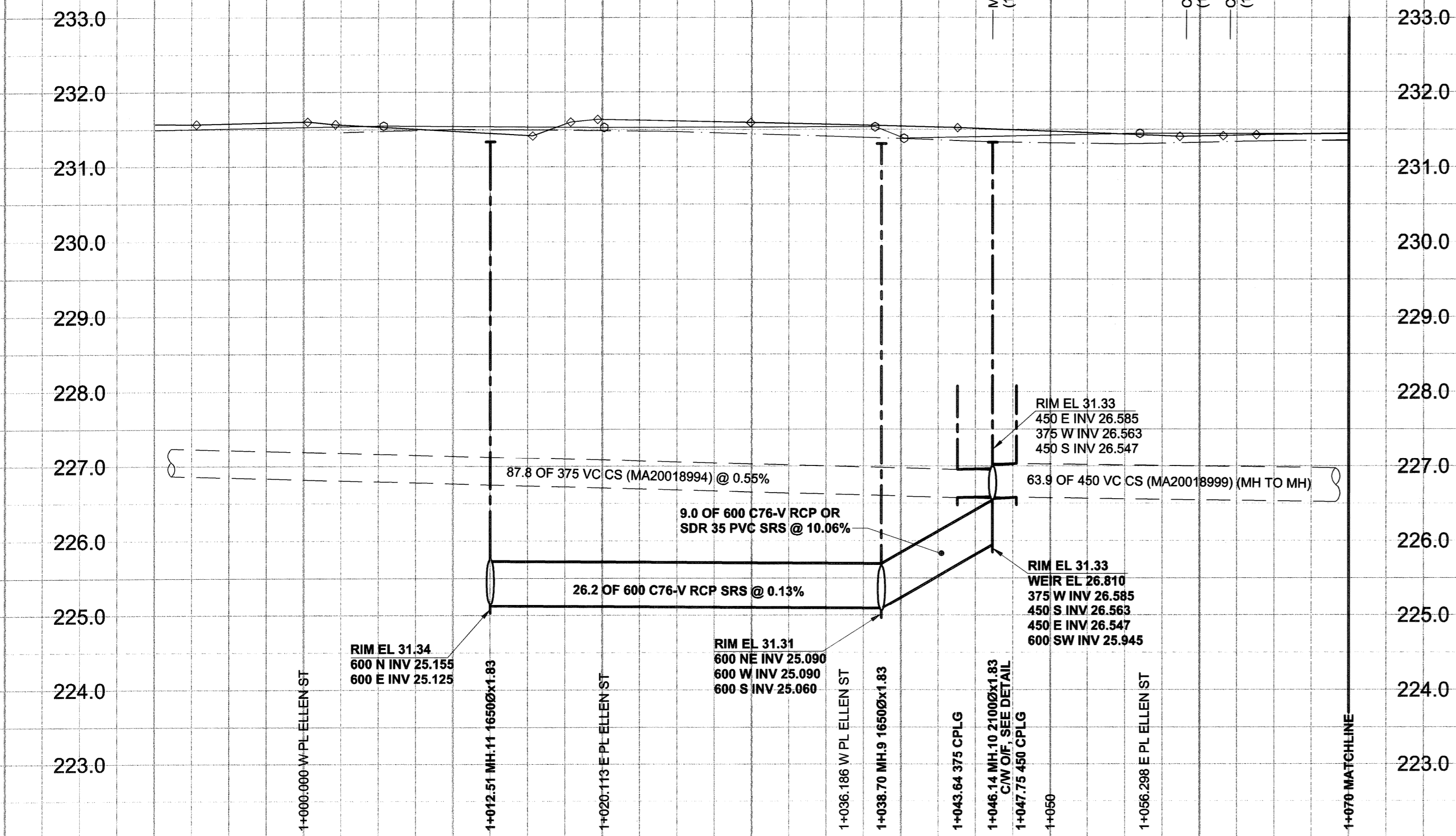


D SIZE 22" x 34" (559mm x 864mm)

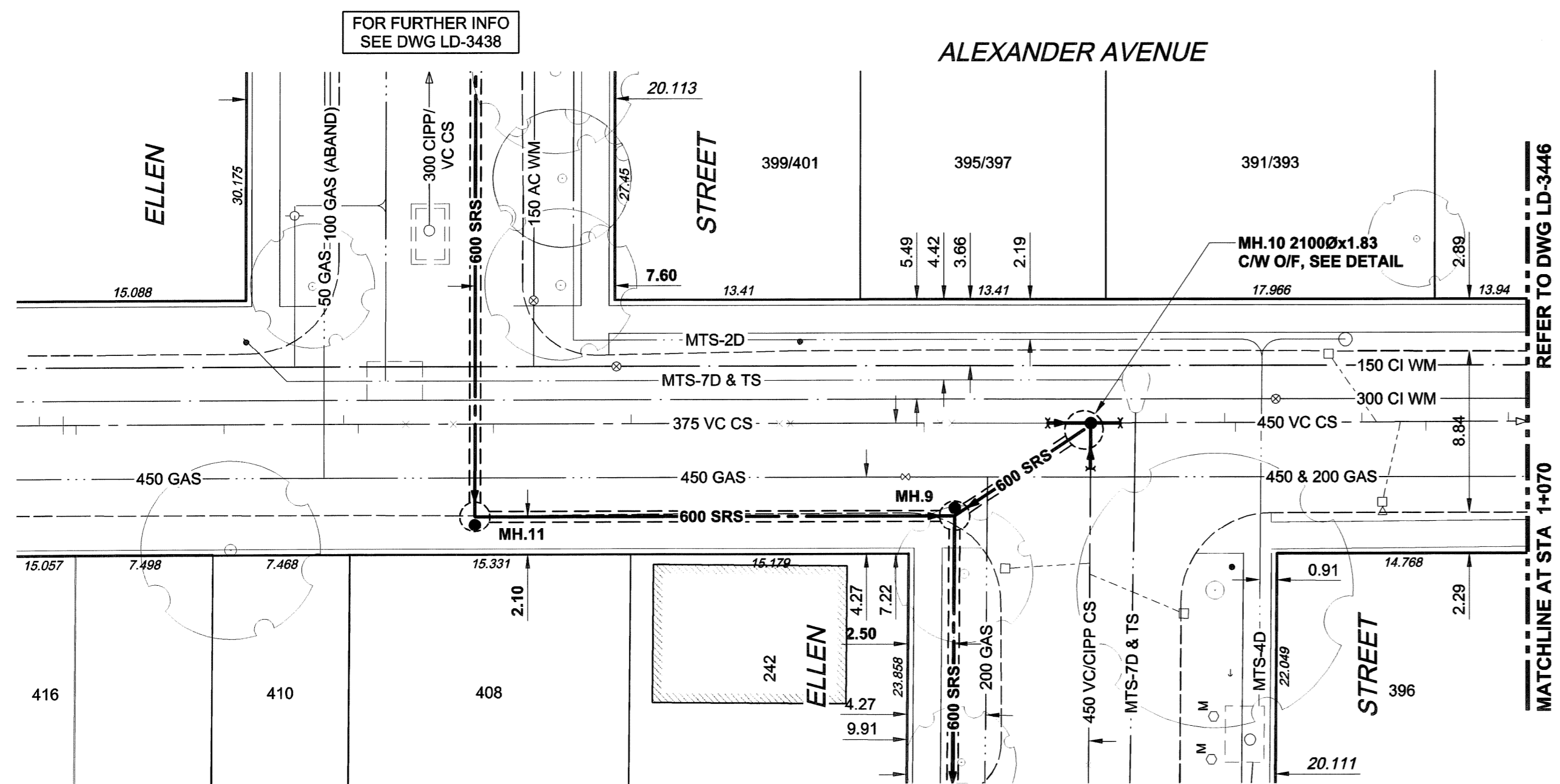
PLOT: 06/11/29 3:50:48 PM

UMA FILE NAME: D265-177-04_01-C-1005_RX.dwg Saved By: lberard

EXISTING FEATURES



CHAINAGE ALONG S PL



ALEXANDER AVENUE

ELLEN STREET

ELLEN STREET

ELLEN STREET

WARNING

IF POWER EQUIPMENT OR EXPLOSIVES ARE TO BE USED FOR EXCAVATION ON THIS PROJECT, THE CONTRACTOR MUST:

- 1) NOTIFY THE GAS COMPANY OF THE PROPOSED LOCATION OF EXCAVATION.
- 2) TAKE PRECAUTION TO AVOID DAMAGE TO GAS COMPANY INSTALLATIONS.

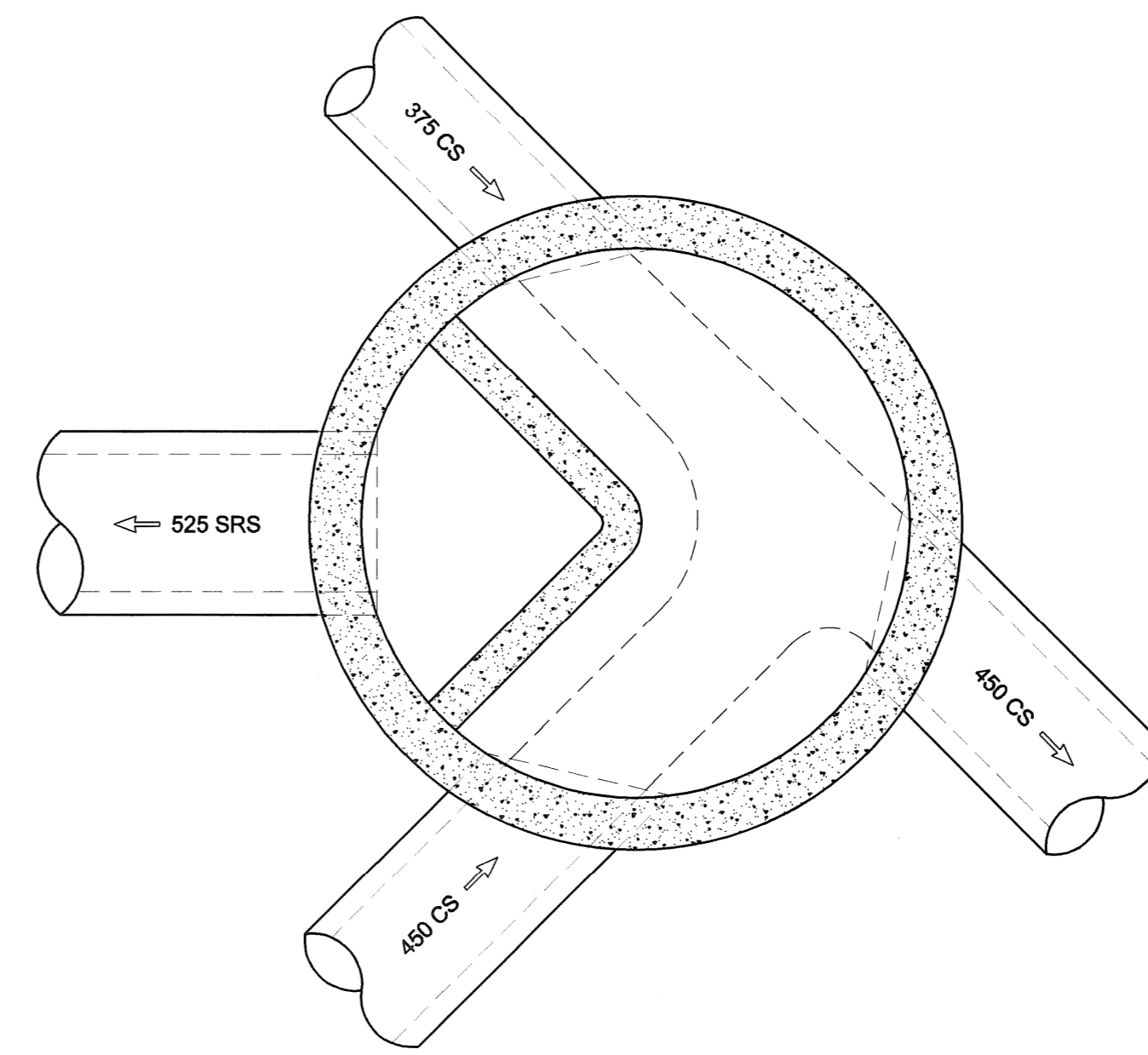
SEE PROVINCIAL REGULATION 140/92 FOR DETAILS

150 mm WM	WATERMAIN	150 mm WM	NEW	EXISTING	LEGEND - PLAN	NEW	EXISTING	LEGEND - PROFILE	NEW	EXISTING	LEGEND - PROFILE
	HYDRANT		NEW		NEW			REDUCER	NEW		NEW
	VALVE		NEW		NEW			COUPLING	NEW		NEW
	LAND DRAINAGE SEWER		NEW		NEW			ANODE	NEW		NEW
	WASTE WATER SEWER		NEW		NEW			HYDRO	NEW		NEW
	MANHOLE		NEW		NEW			MTS	NEW		NEW
	CATCH BASIN		NEW		NEW			GAS	NEW		NEW
	CURB INLET		NEW		NEW			TESTHOLE	NEW		NEW
	CULVERT		NEW		NEW			LAMP STANDARD	NEW		NEW
	PIPE ABANDONMENTS		NEW		NEW			TREE	NEW		NEW
	SURVEY BAR		EXISTING		EXISTING			LEGEND - PLAN	EXISTING		EXISTING
	EXISTING		NEW		NEW			LEGEND - PROFILE	NEW		NEW
	NEW		EXISTING		EXISTING			LEGEND - PLAN	EXISTING		EXISTING
	EXISTING		NEW		NEW			LEGEND - PROFILE	NEW		NEW
	NEW		EXISTING		EXISTING			LEGEND - PLAN	EXISTING		EXISTING
	EXISTING		NEW		NEW			LEGEND - PROFILE	NEW		NEW

FOR FURTHER INFO SEE DWG LD-3436

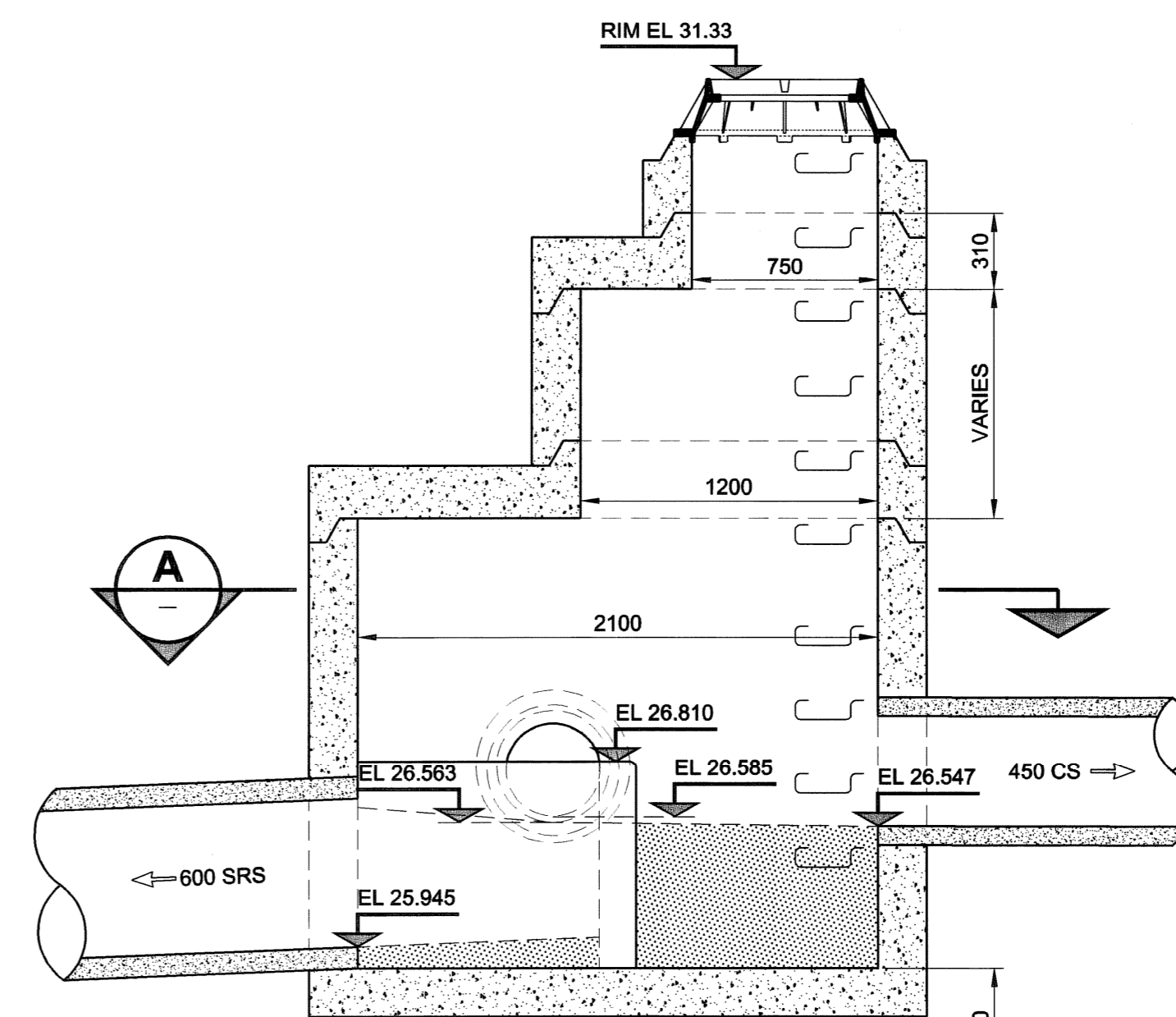
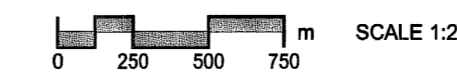


REFER TO DWG LD-3446 MATCHLINE AT STA 1+070

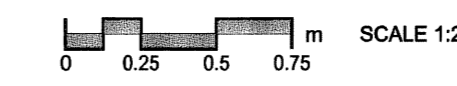


SECTION

A



MANHOLE 10 OVERFLOW DETAIL



TYPICAL MANHOLE REQUIREMENTS AS PER SD-010

CONSTRUCTION NOTES:

1. FOR DETAILED TEST HOLE INFORMATION, SEE SPECIFICATION.
2. THE LOCATION OF ALL SERVICES IS TO BE CONFIRMED IN THE FIELD.
3. INSTALL NEW SEWERS AND CATCHBASIN LEADS BY TRENCHLESS METHODS WHEREVER POSSIBLE.
4. RENEW/REHABILITATE CATCHBASINS & RENEW CATCHBASIN LEADS WHERE NOTED.

BID OPPORTUNITY NO. 690-2006

METRIC
WHOLE NUMBERS INDICATE MILLIMETRES
DECIMALIZED NUMBERS INDICATE METRES

APECM
Certificate of Authorization
UMA Engineering Ltd.
No. 256 Expiry: April 30, 2007

LOCATION APPROVED UNDERGROUND STRUCTURES

NO.	REVISIONS	DATE	BY
0	ISSUED FOR CONSTRUCTION	06/11/28	KMB

NOTE: LOCATION OF UNDERGROUND STRUCTURES AS SHOWN ARE BASED ON THE BEST INFORMATION AVAILABLE. BUT NO GUARANTEE IS GIVEN THAT ALL EXISTING UTILITIES ARE SHOWN OR THAT THE GIVEN LOCATIONS ARE EXACT. CONFIRMATION OF EXISTENCE AND EXACT LOCATION OF ALL SERVICES MUST BE OBTAINED FROM THE INDIVIDUAL UTILITIES BEFORE PROCEEDING WITH CONSTRUCTION.

DESIGNED BY	GEB / DME	CHECKED BY	DATE
DRAWN BY	KMB	APPROVED BY	06/11/29
HOR. SCALE	1:250	RELEASED FOR CONSTRUCTION	06/11/29
VERT. SCALE	1:50	DATE	06/11/29

PROFESSIONAL'S SEAL
A. NAGY
REGISTERED PROFESSIONAL ENGINEER
CONSULTANT DRAWING NO. 05
D265-177-04

THE CITY OF WINNIPEG
WATER AND WASTE DEPARTMENT

ALEXANDER/BANNATYNE
COMBINED SEWER RELIEF
CONTRACT 4

ALEXANDER AVENUE
50m EAST OF LAURA STREET
TO 30m WEST OF FOUNTAIN STREET

SHEET 5 OF 15
CITY DRAWING NUMBER
LD-3437