

MATERIAL NOTES

STANDARDS OF MATERIAL AND QUALITY OF CONSTRUCTION TO MEET AWWAC STANDARDS.

PROVIDE 5 SETS OF SHOP DRAWINGS FOR APPROVAL.

PROVIDE ELECTRICAL RACEWAYS AS SHOWN ON DRAWINGS. -SEE ELECTRICAL DRAWING FOR TYPE.

EXISTING CIRCULATION DESK TO BE REMOVED BY CONTRACTOR.

CONTRACTOR TO PROVIDE HOLES FOR THE INSTALLATION OF SECURITY GATES. LOCATIONS TO BE INDICATED BY 3M INSTALLER.

CONTRACTOR TO MOUNT EXISTING EQUIPMENT TO NEW COUNTERTOP -LOCATIONS ON SITE. CONTACT CONTRACT ADMINISTRATOR FOR LOCATIONS.

GROMMETS TO BE LOCATED ON SITE. CONTACT CONTRACT ADMINISTRATOR FOR LOCATIONS.

HARDWARE

-SHELVING & COMPUTER STATION -80 ANO STANDARDS & 180 ANO BRACKETS

-INTERIOR SHELF STANDARDS & SUPPORTS TO BE RECESSED KV 256AL AND KV 256.

-SLIDING OPEN DVD SHELVES TO BE KV 1284 BOTTOM MOUNT W/ WHITE FINISH AND LENGTHS @ 23 5/8".

-CLOSED DRAWER SLIDES -KV 1275

-KEYBOARD SLIDE -NON LOCKING SLIDER KV 8157 W/ ANOCHROME FINISH (LOCATED ON SITE)

-SWING GATE
HEAVY DUTY STAINLESS STEEL PIANO HINGE
RICHELIEU HEAVY DUTY BALL LATCH #1013-140
RICHELIEU WALL STOP 231-175

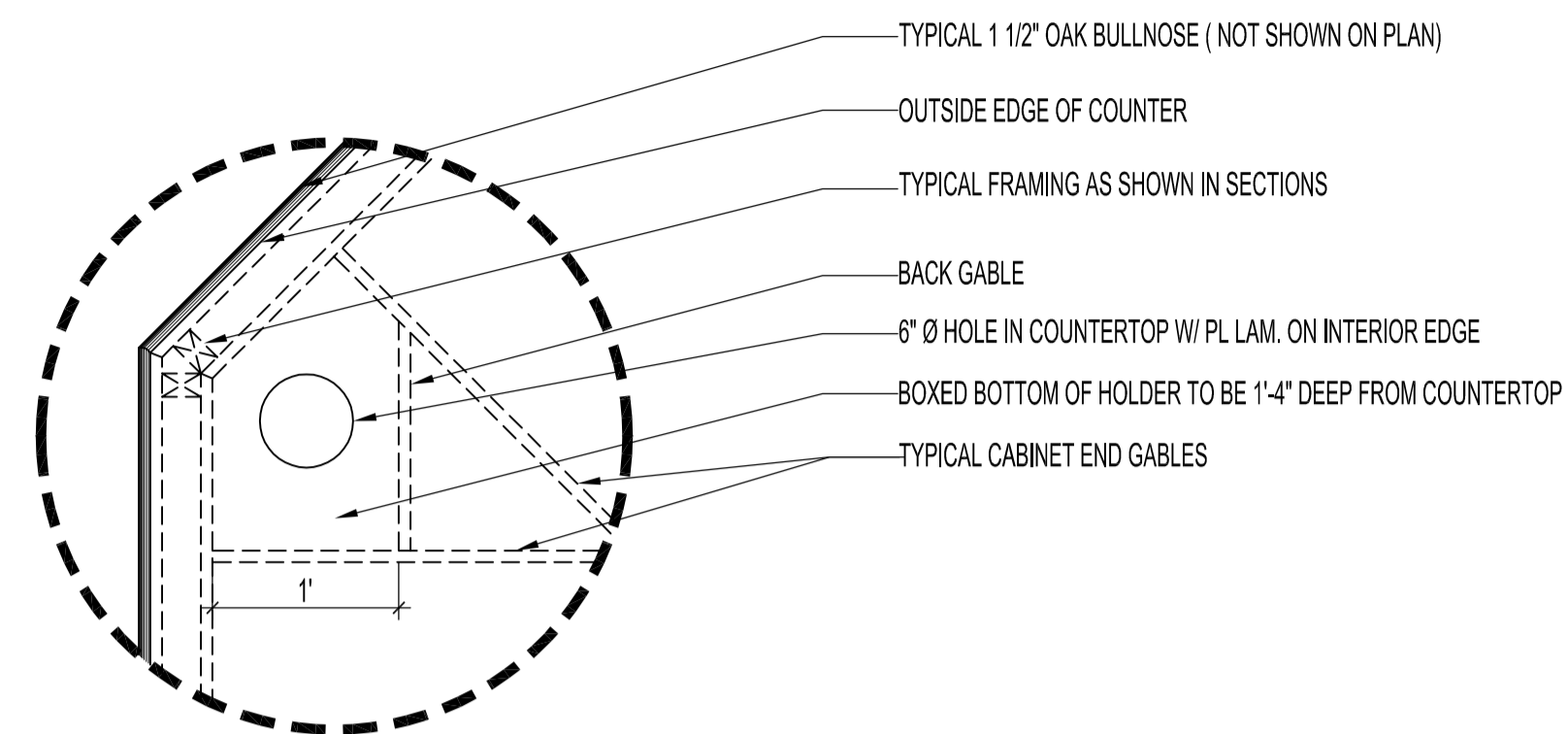
FINISHES

-ALL OAK SOLIDS & VENEERS TO HAVE A NATURAL POLYURETHANE FINISH.

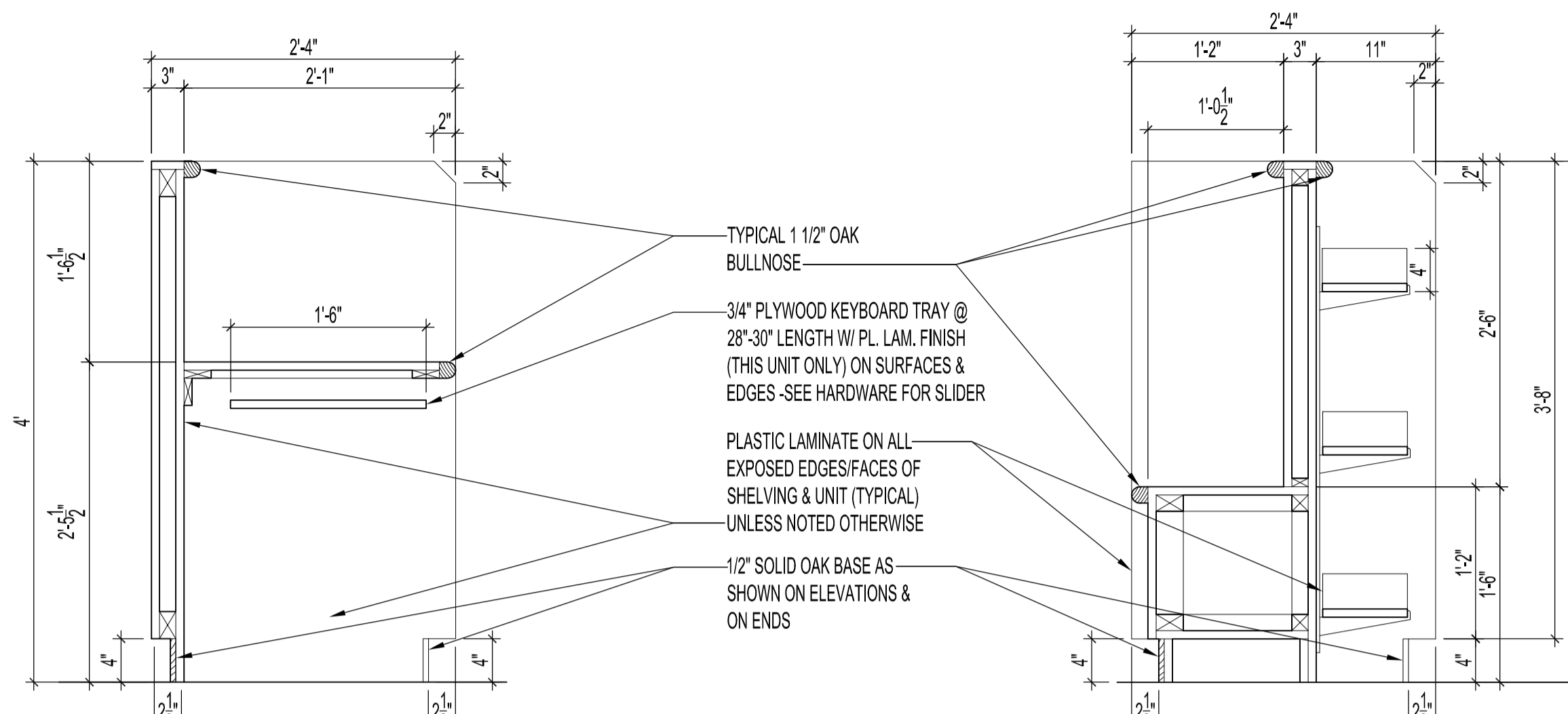
-PLASTIC LAMINATE
ARBORITE "CHARCOAL" #S-434-DIAMOND

ALL MELAMINE TO BE PANOLAM S406 "SILVER GREY" COLOUR & SATIN TEXTURE @ 3/4" THICK UNLESS NOTED OTHERWISE. SEE SECTIONS.

ALL EXISTING WALLS W/ NEW CARPETING TO HAVE 4" BLACK RUBBER BASEBOARD TO MATCH EXISTING ON SITE.

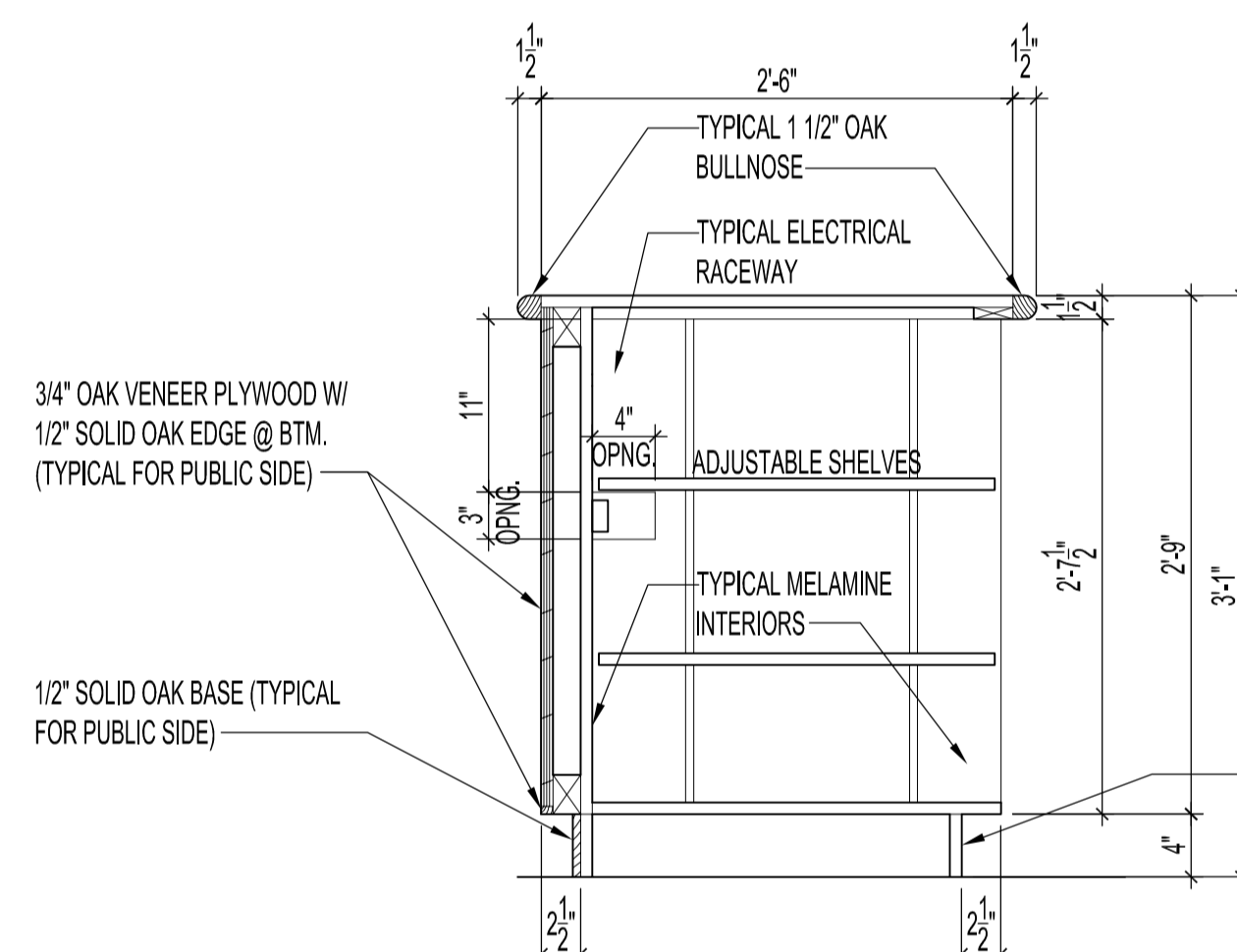


1 DETAIL -BOXED BAG HOLDER
A1/A3 SCALE: 1/2" = 1'-0"

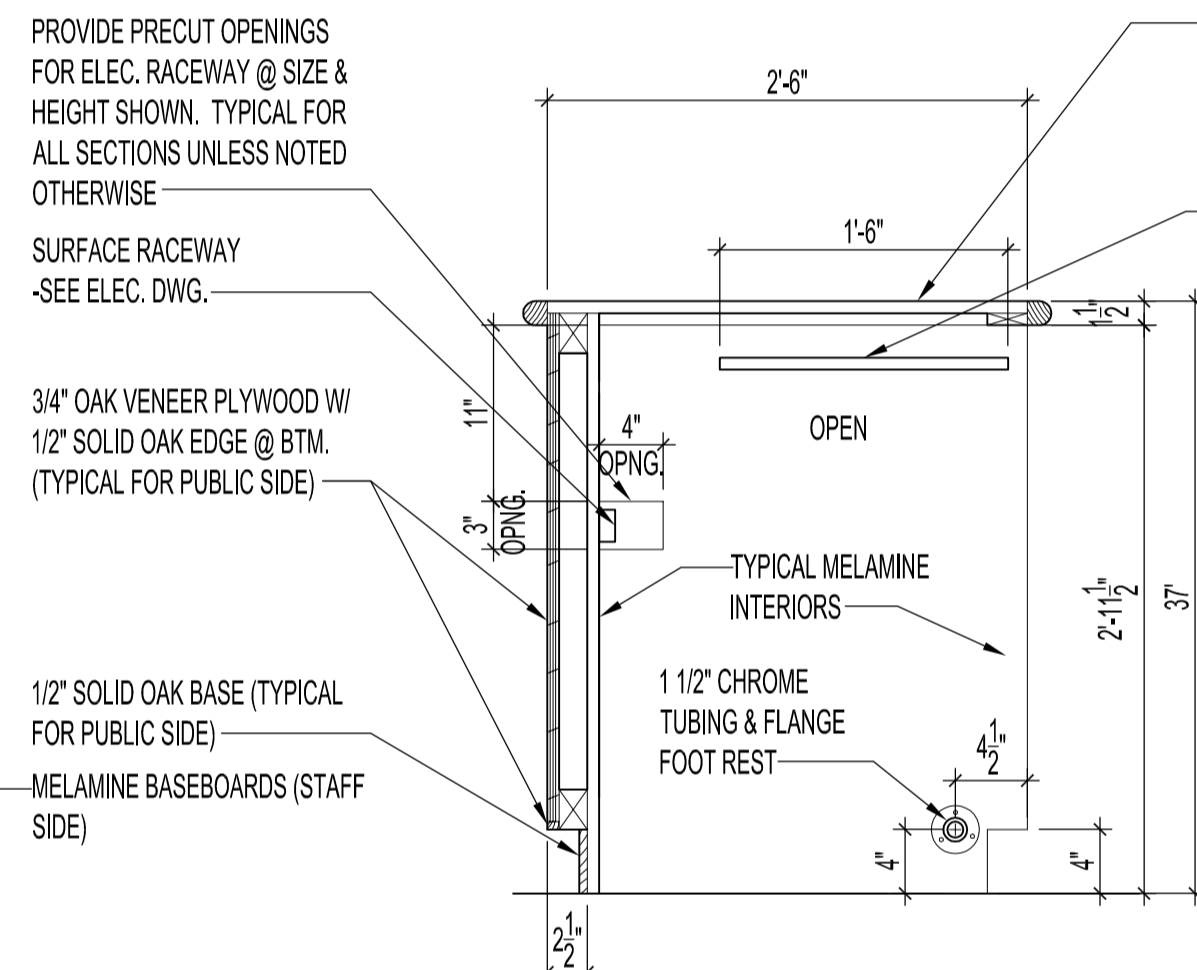


1 SECTION -COMPUTER STATION
A2/A3 SCALE: 1" = 1'-0"

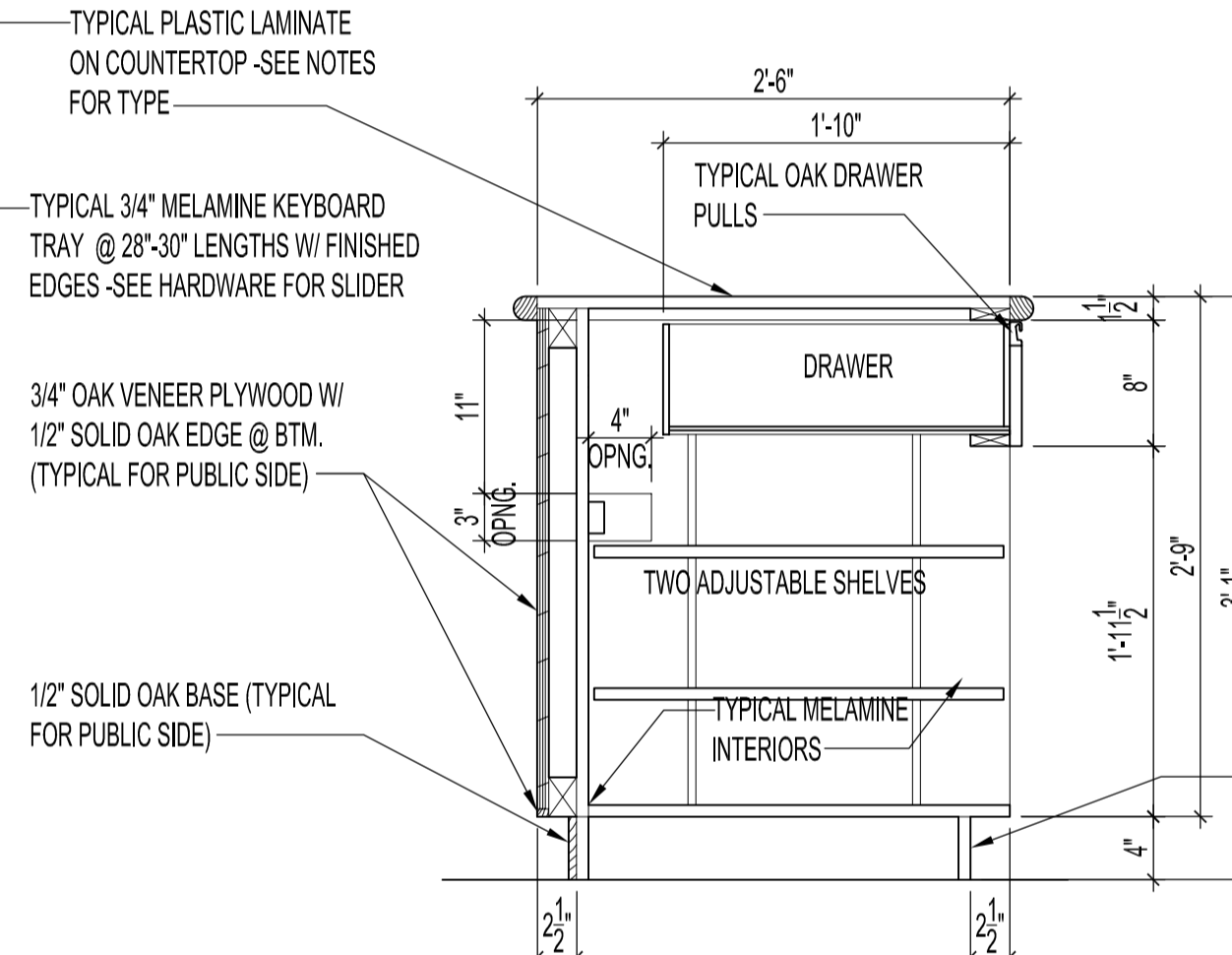
2 SECTION -BENCH / SHELVING
A2/A3 SCALE: 1" = 1'-0"



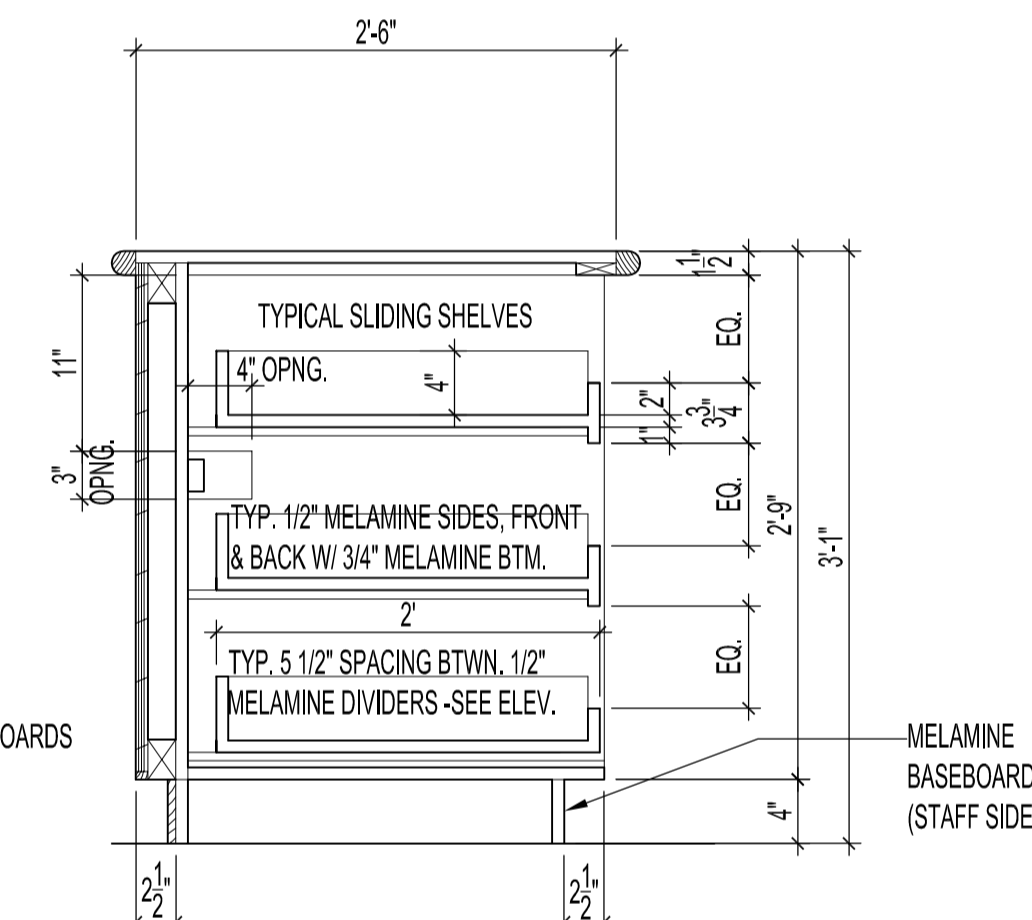
3 SECTION -OPEN SHELVING
A2/A3 SCALE: 1" = 1'-0"



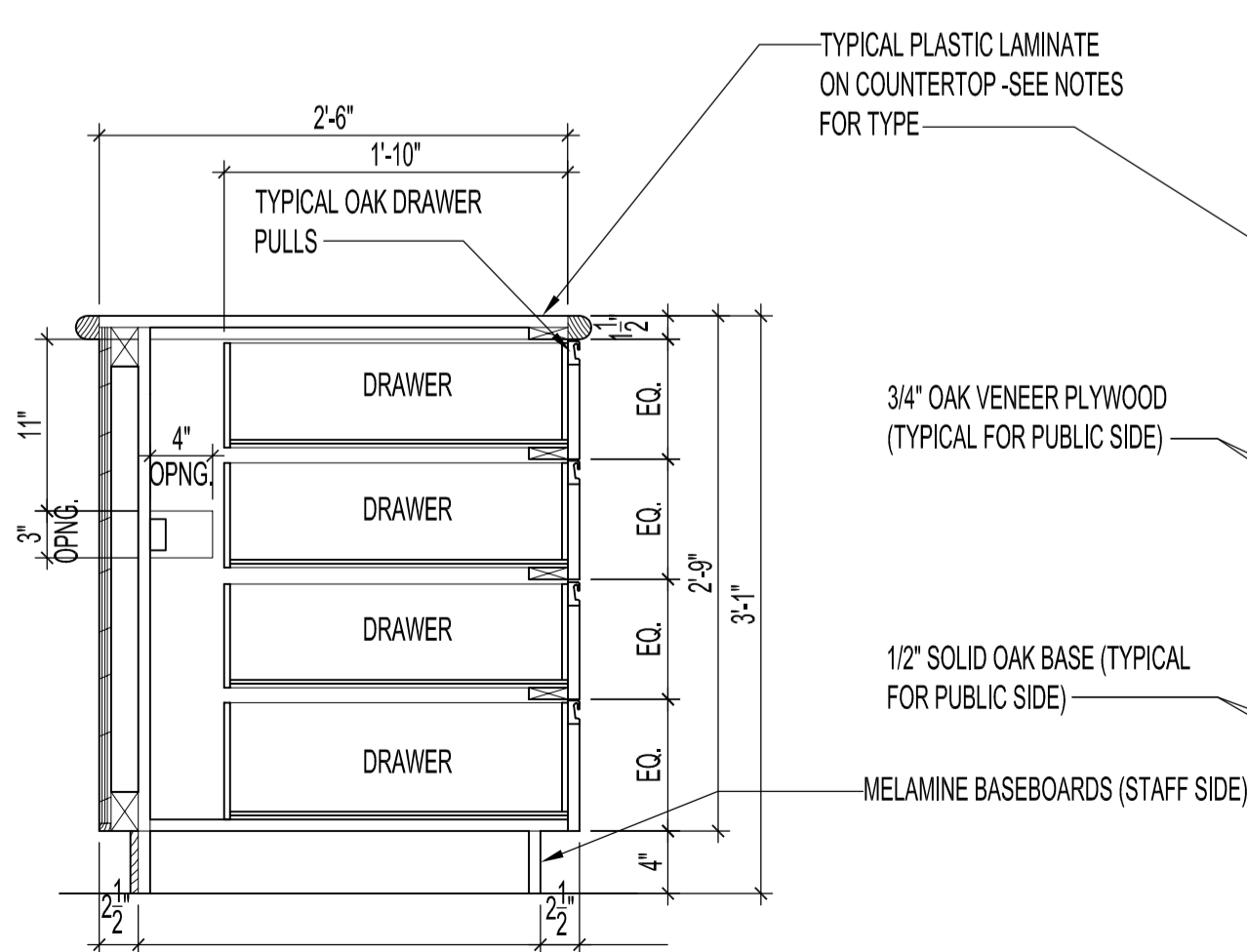
4 SECTION -OPEN KNEESPACE
A2/A3 SCALE: 1" = 1'-0"



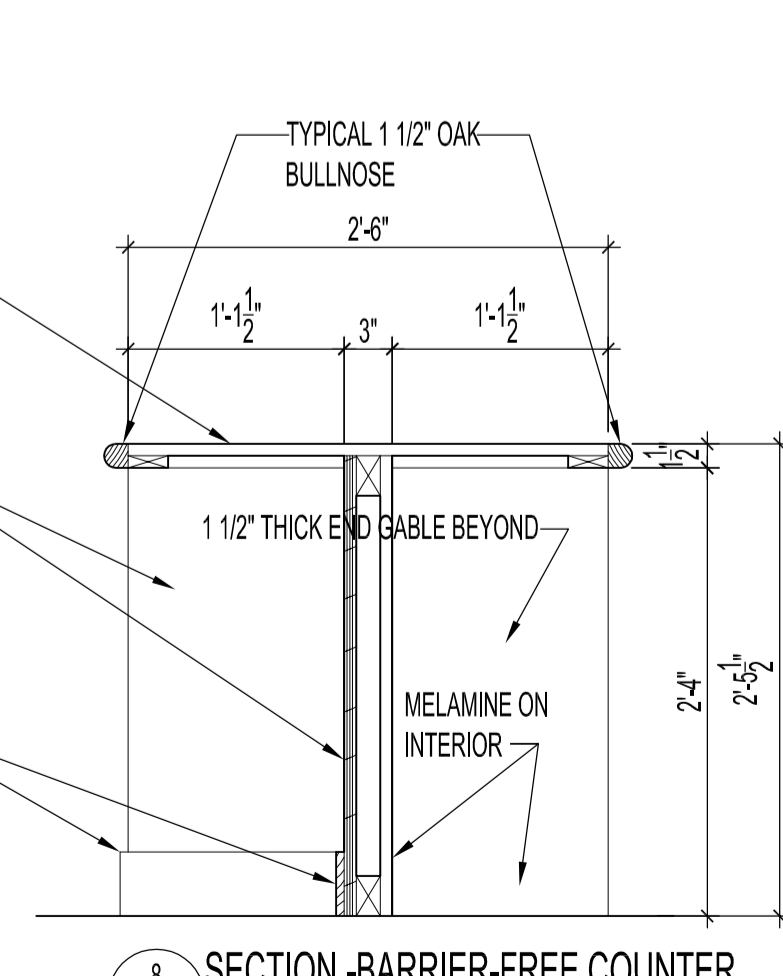
5 SECTION -DRAWER & OPEN SHELVING
A2/A3 SCALE: 1" = 1'-0"



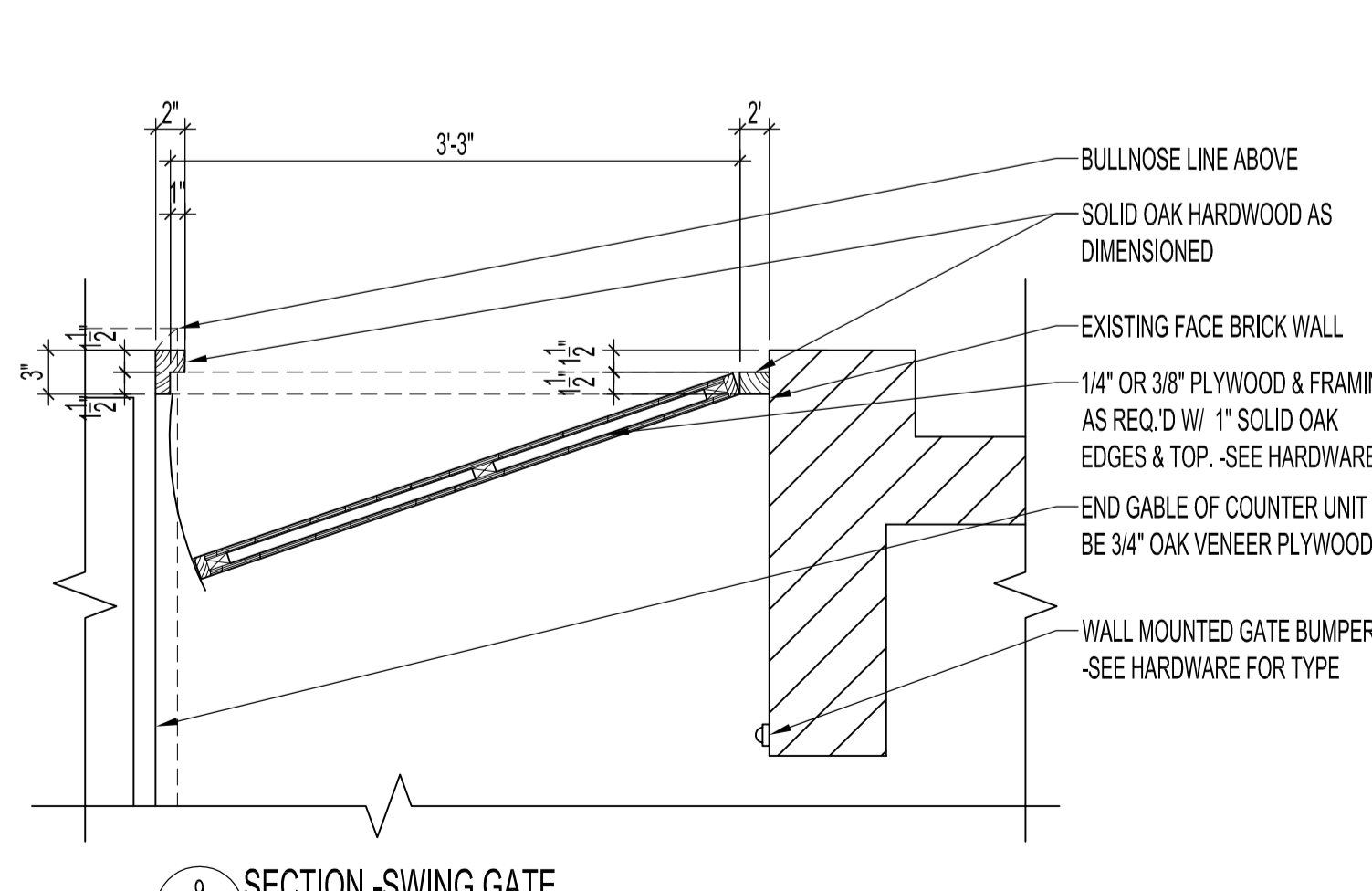
6 SECTION -OPEN SLIDING DVD SHELVES
A2/A3 SCALE: 1" = 1'-0"



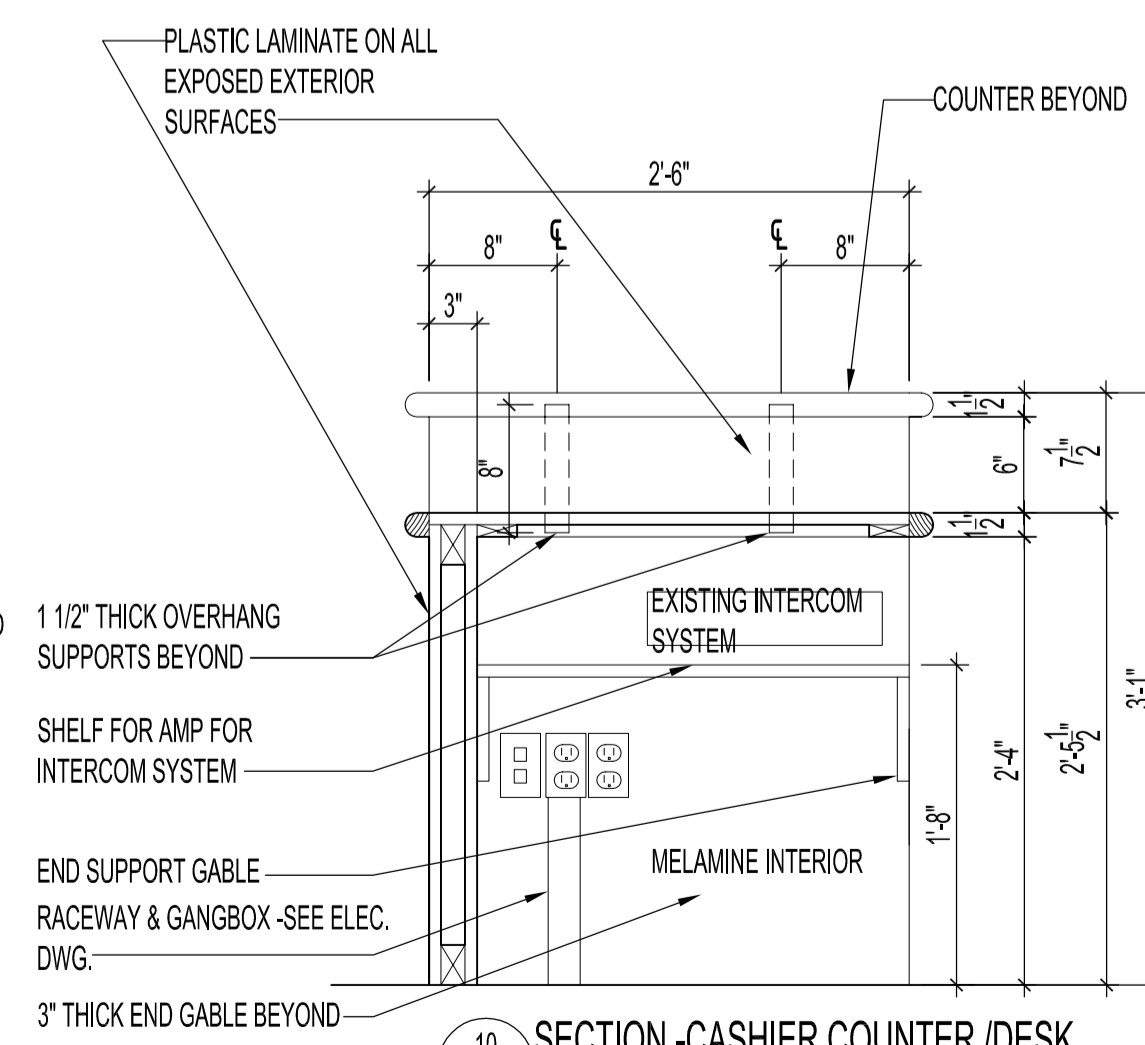
7 SECTION -DRAWERS
A2/A3 SCALE: 1" = 1'-0"



8 SECTION -BARRIER-FREE COUNTER
A2/A3 SCALE: 1" = 1'-0"



9 SECTION -SWING GATE
A2/A3 SCALE: 1" = 1'-0"



10 SECTION -CASHIER COUNTER /DESK
A2/A3 SCALE: 1" = 1'-0"

NO.	REVISION/DESCRIPTION	BY	DATE
SEALS			

DRAWN BY	CHECKED BY	APPROVED
MMK	USER	

CITY OF WINNIPEG
PLANNING, PROPERTY &
DEVELOPMENT DEPARTMENT
CIVIC ACCOMMODATIONS DIVISION
300 - 65 GARRY ST. R3C 4K4

PROJECT
FORT GARRY LIBRARY
CIRCULATION COUNTER

1360 PEMBINA HIGHWAY

SHEET TITLE

MILLWORK SECTIONS

SCALE	PROJECT NO.	SHEET NO.
AS SHOWN	2005-044	A3