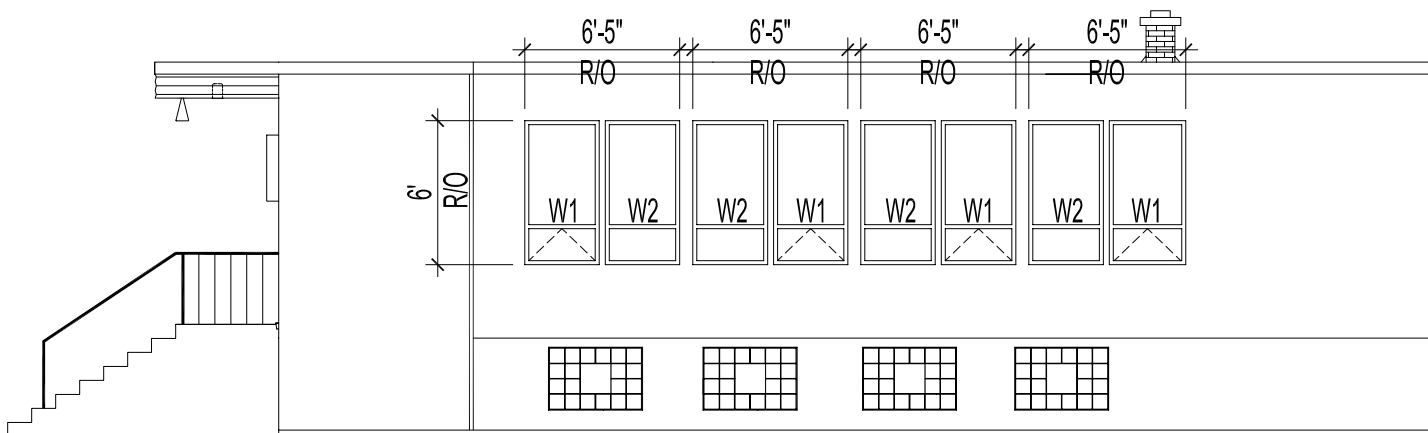


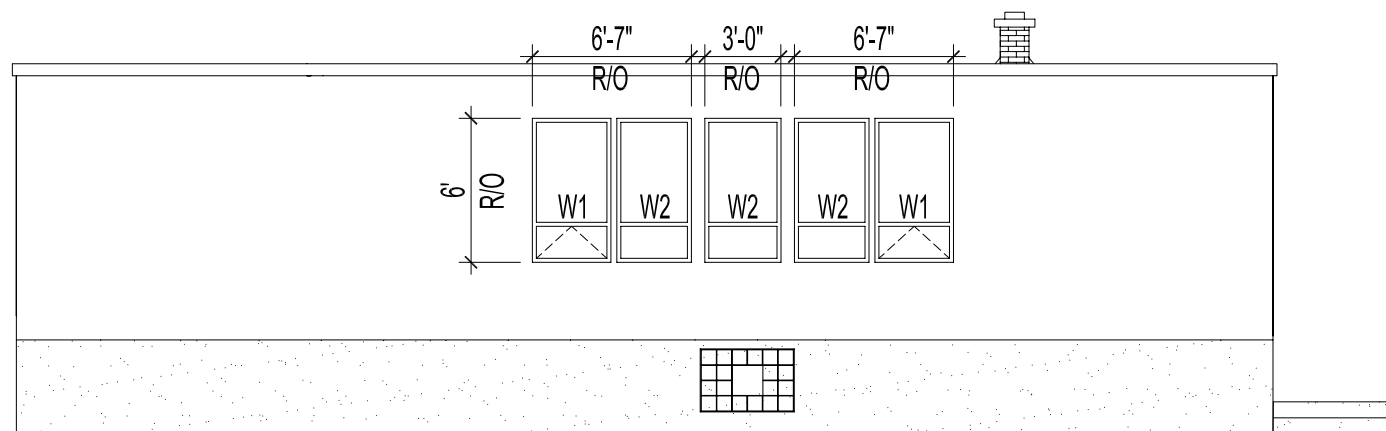
SOUTH ELEVATION

SCALE: 1/8" = 1'-0"



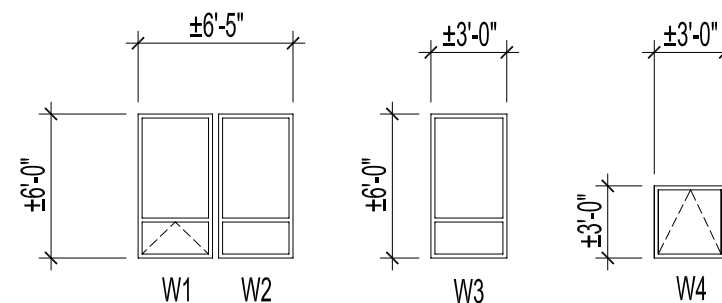
NORTH ELEVATION

SCALE: 1/8" = 1'-0"



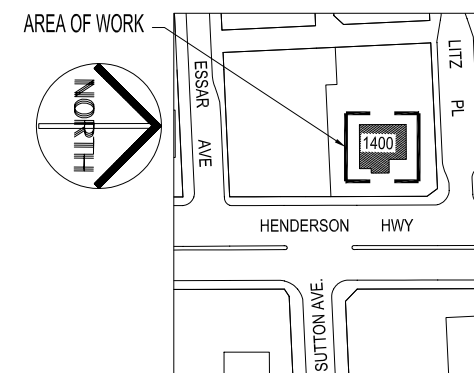
WEST ELEVATION

SCALE: 1/8" = 1'-0"



EXTERIOR WINDOW TYPES

SCALE: N.T.S



KEY PLAN

SCALE: N.T.S

THESE DRAWINGS SHALL NOT BE SCALED.


THE CONTRACTOR SHALL VISIT THE SITE AND SATISFY ONESELF ALL DIMENSIONS, DATUM, AND DETAILED INFORMATION SHOWN ARE CORRECT.

ALL PRODUCTS AND MATERIALS TO BE USED AND INSTALLED SHALL CONFORM WITH MANUFACTURER'S SPECIFICATIONS & APPLICABLE CODES.

THE CONTRACTOR SHALL BE RESPONSIBLE TO PATCH AND MAKE GOOD ALL EXISTING CONSTRUCTION AFFECTED BY THE REMOVAL OF ALL ITEMS FORMING THE PART OF THE RENOVATION WORK.

NO.	REVISION/DESCRIPTION	BY	DATE
SEALS			

DRN BY:	CHK BY:	APPROVED
DATE:	USER APPROVAL	
2006.11.07		


 CITY OF WINNIPEG
 PLANNING, PROPERTY &
 DEVELOPMENT DEPARTMENT
 CIVIC ACCOMODATIONS DIVISION
 300-65 GARRY ST., R3C 4K4

PROJECT
**POLICE SERVICE CENTRE
 WINDOW REPLACEMENT**

1400 HENDERSON HWY.

SHEET TITLE
**KEY PLAN &
 EXTERIOR ELEVATIONS**

SCALE	PROJECT NO.	SHEET NO.
AS SHOWN	2004-023	A1