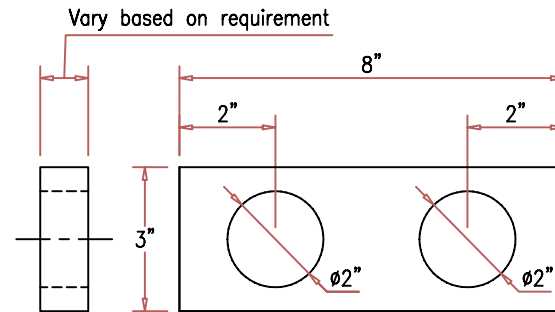
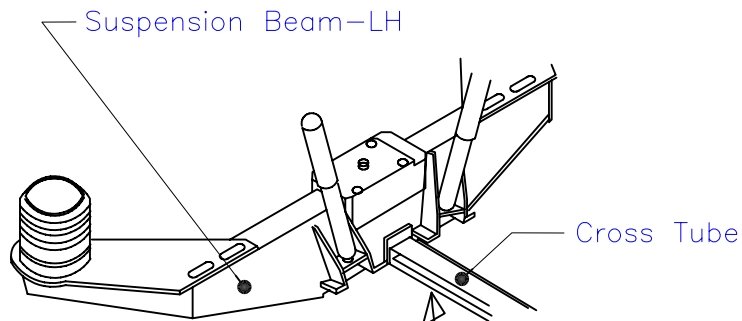




ITEM	NAME	DESCRIPTION	QTY
01	SPACER (Detail 1/S-1)	PLATE: 8" X 3" X VARIOUS THK	4



1  
S-1

DETAIL: ITEM 01  
SCALE: 3" = 1'-0"

WELD UNDER  
RH & LH

01



SPEC REF E2 204.02

REV	DESCRIPTION	DATE
	City of Winnipeg Transit Department	SCALE N.T.S.
	CATEGORY	DRAWN BY TVD
	DRAWING TITLE	DATE 2006.11.09
	Bus Tender 723-2006	DRAWING NO. 723-2006-004
	Rear Suspension-Spacer Plates for Hoisting	SHEET NO. 04/08