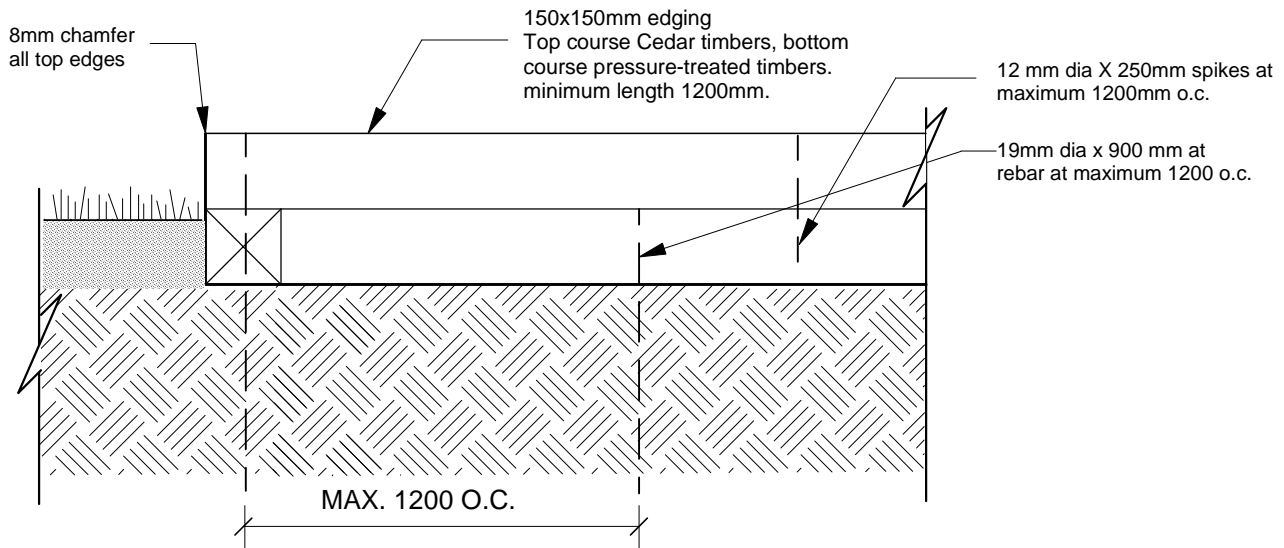


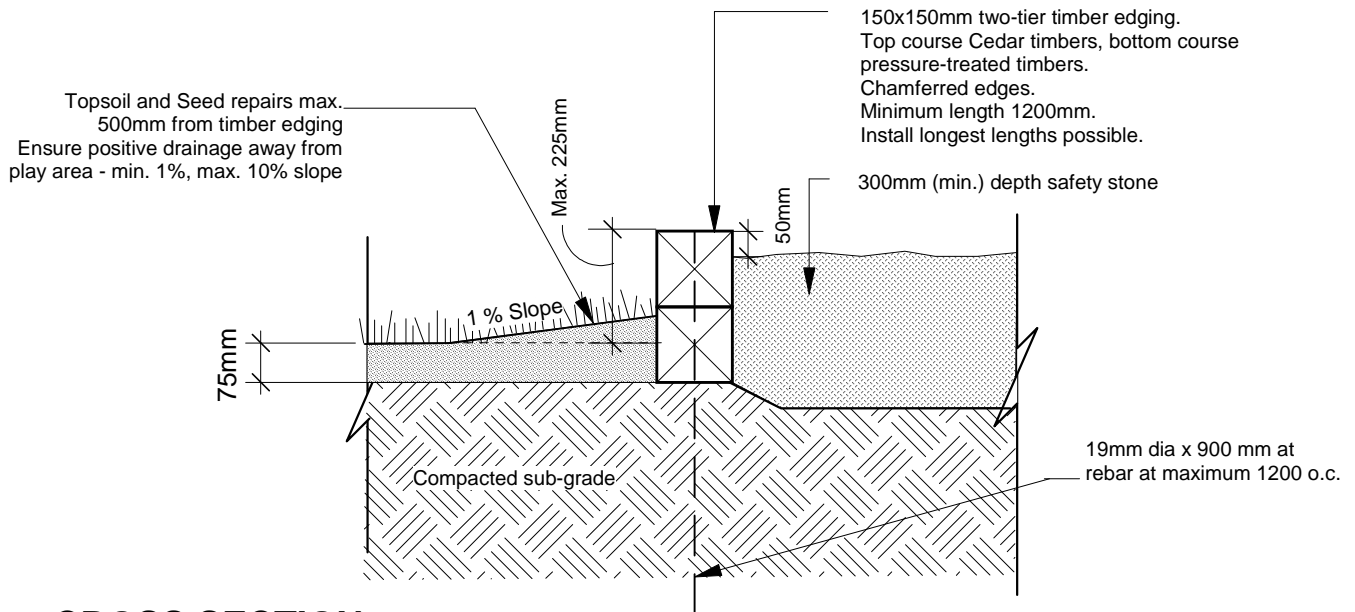
TITLE

PLAYGROUND TIMBER EDGE DETAIL

SCD-638a



END VIEW



CROSS SECTION

1. Base course timbers shall be pinned with a minimum of two (2) 19mm dia. by 900mm rebar at maximum 1200mm o.c.
2. All rows of timber above base course shall be securely spiked with a minimum of two (2) 12mm dia. by 250mm spikes at maximum 1200mm o.c.
3. All dimensions are in millimetres.

NOT TO SCALE

JUNE/02

LLW

THE CITY OF WINNIPEG
Planning, Property and Development Department
Planning and Land Use Division
Unit 15 - 30 Fort Street, Winnipeg, MB, R3C 4X5

