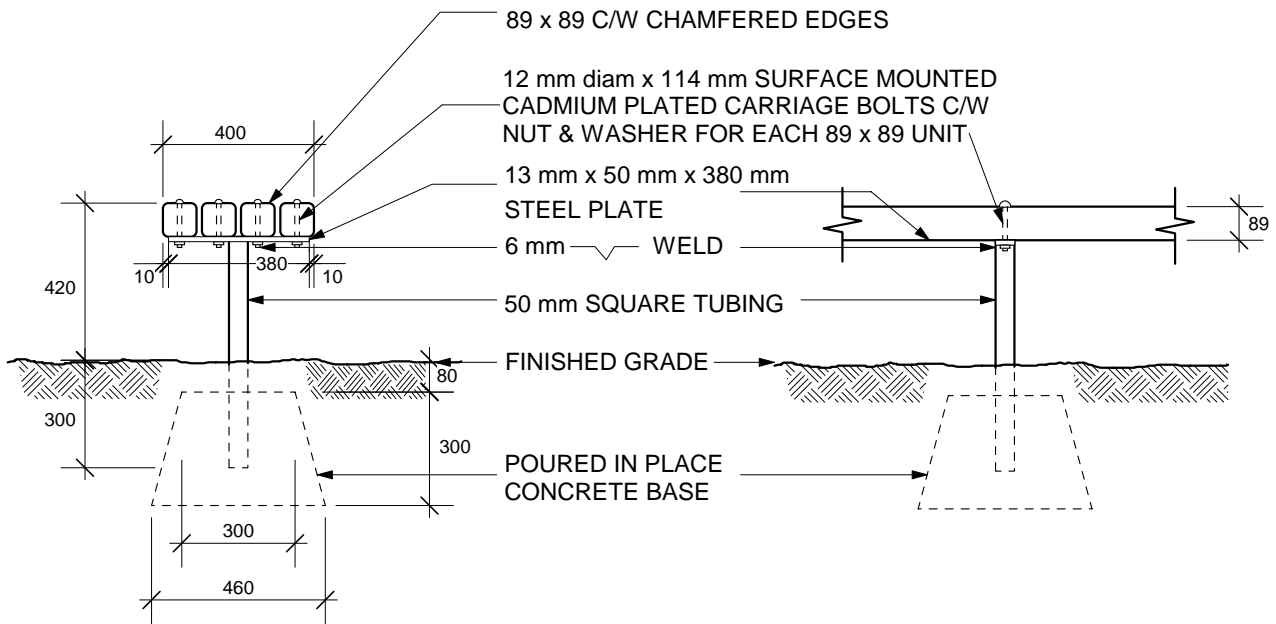
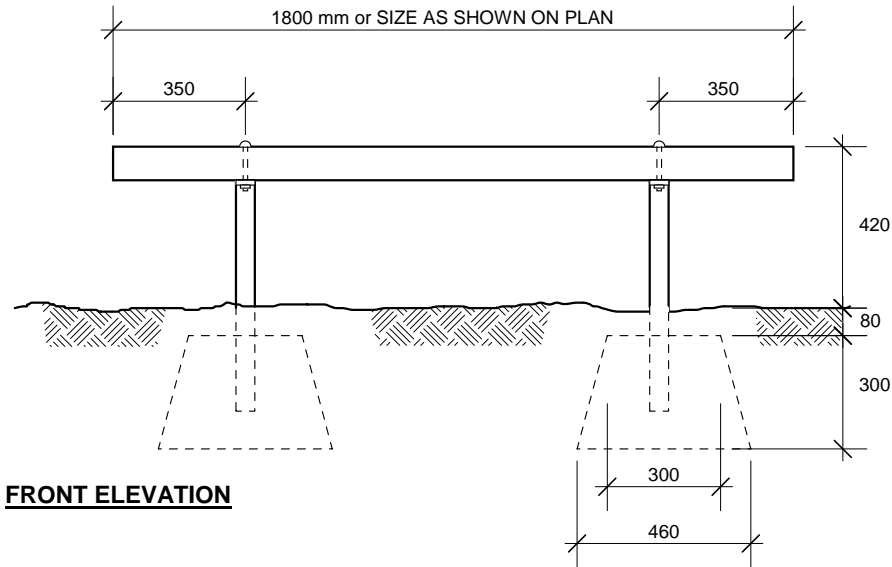


TITLE

COMPOSITE TACHE BACKLESS BENCH

SCD-121A



SIDE ELEVATION

SUPPORT DETAILS

MATERIALS:

- 100 mm x 100 mm COMPOSITE BOARDS
- CEDAR TONE FINISH
- METAL FINISH - PRIME WITH RUSTOLEUM NO. 769
- FINISH WITH SAPOLIN BLACK WROUGHT FINISH

NOTE:

ALL DIMENSIONS SHOWN ARE IN MILLIMETERS.

MODEL # 52510169

DRAWN ST
DATE JUNE/03
NOT TO SCALE

THE CITY OF WINNIPEG
Planning, Property and Development Department
Planning and Land Use Division
Unit 15 - 10 Fort Street, Winnipeg, MB, R3C 4X5

