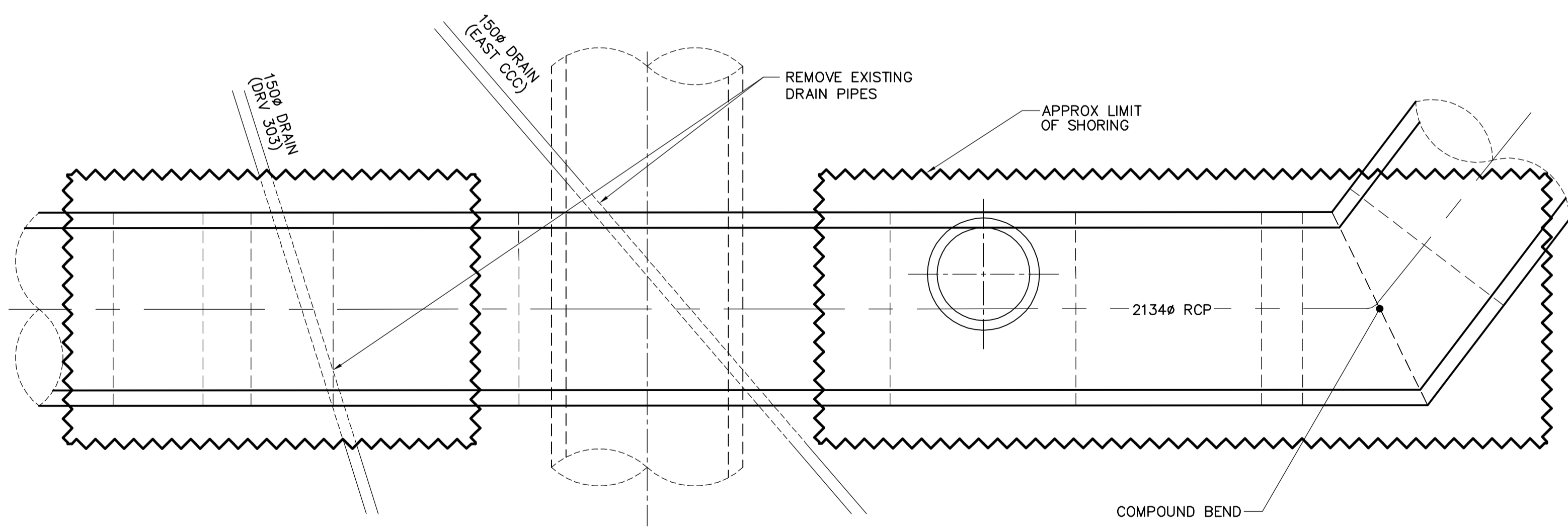
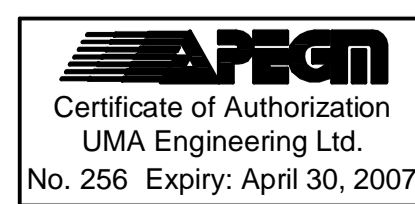


EXISTING CELL 3 OUTLET CROSSING DETAIL  
SCALE 1:50



PLAN VIEW  
SCALE 1:50



B.M. ELEV.				ENGINEER'S SEAL			
		© 2005 UMA ENGINEERING LTD. ALL RIGHTS RESERVED.		ORIGINAL SIGNED BY		WINNIPEG WATER TREATMENT PROGRAM	
		DESIGNED BY EDT	CHECKED BY MCM	E. D. J. TOUPIN		WTP OVERFLOW SUPERNATANT LINE	
		DRAWN BY WJd	APPROVED BY BTW	2007/01/26		CITY FILE NUMBER	
		HOR. SCALE: AS NOTED		RELEASED FOR CONSTRUCTION BY:		SHEET 1 OF 1	
		VERTICAL SCALE: AS NOTED		Ron Sorokowski		CITY DRAWING NUMBER	
01	791-2006 ADDENDUM 3	07/03/01	WJd	CONSULTANT DRAWING NO.		CIVIL	
00	ISSUED FOR TENDER	07/01/26	WJd	WY C0203		2134 SIPHON	
NO. REVISIONS		DATE	BY	DATE	DATE	MISCELLANEOUS SECTIONS AND DETAILS	
				2006/10/12	March 1, 2007	I-0601-C-C0203-001-0D	