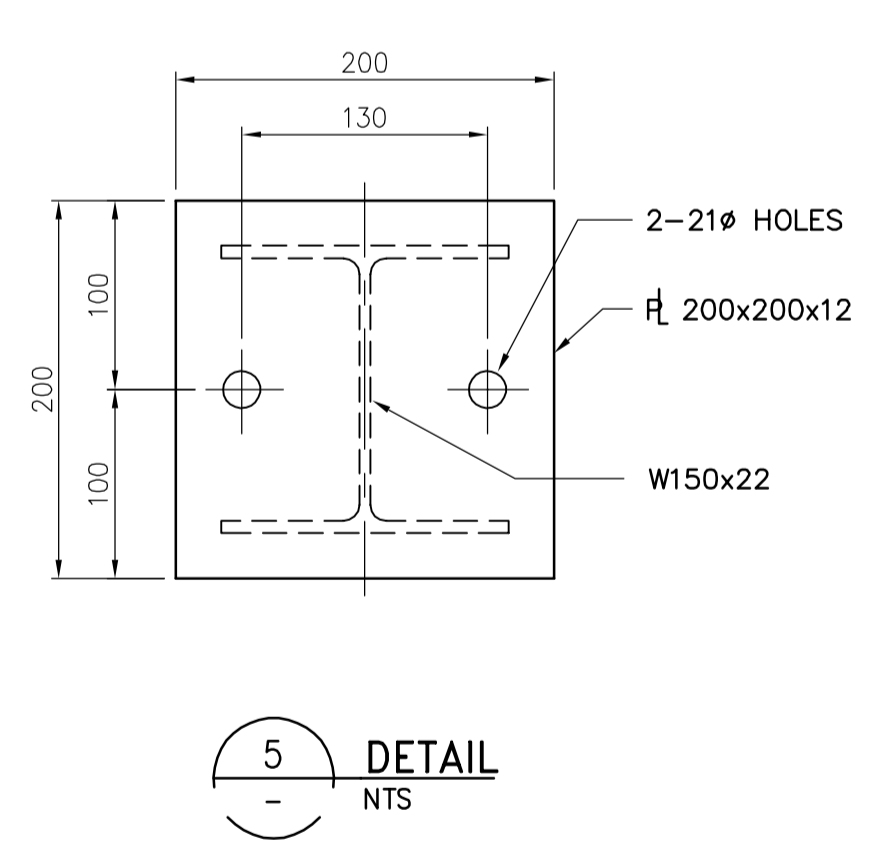
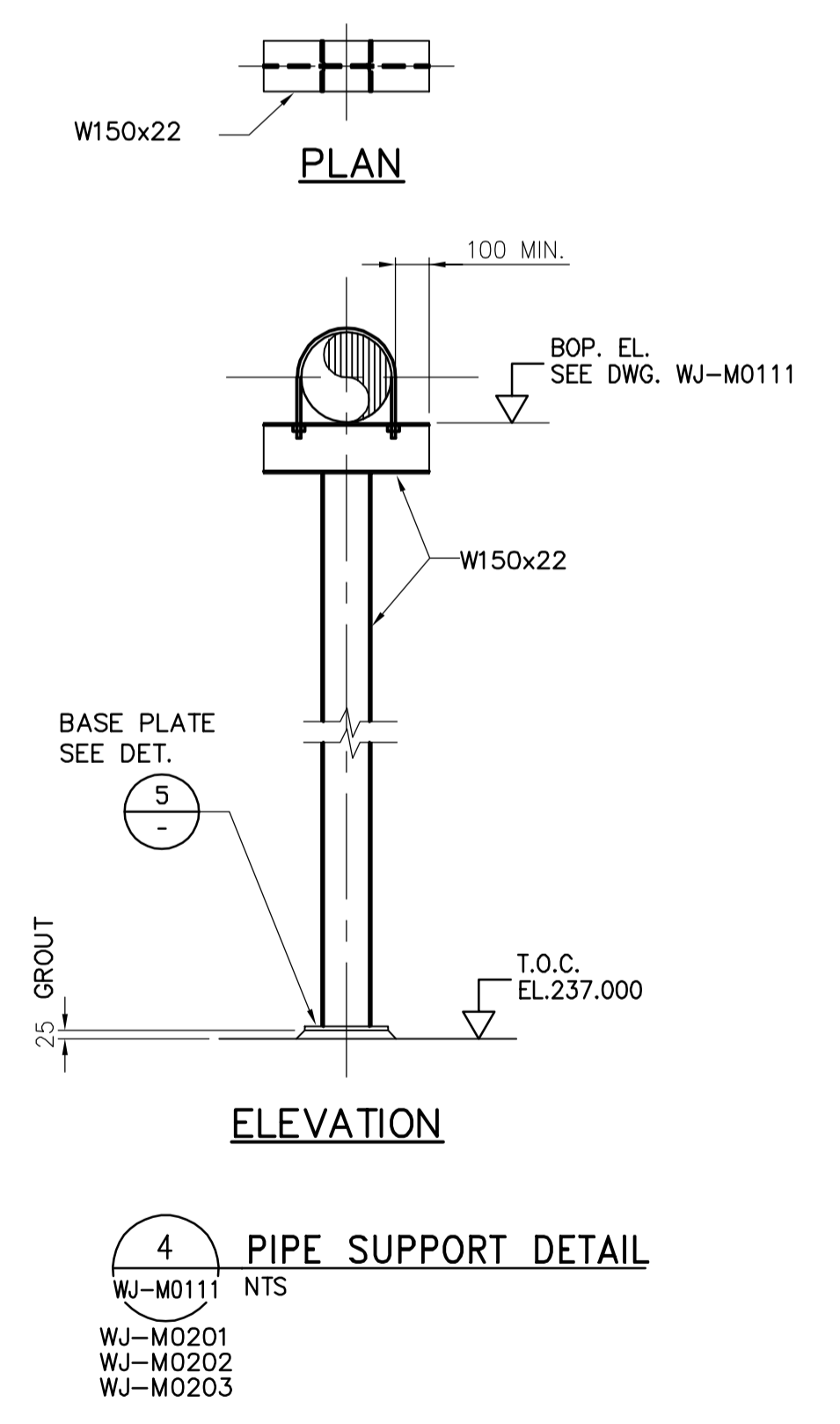
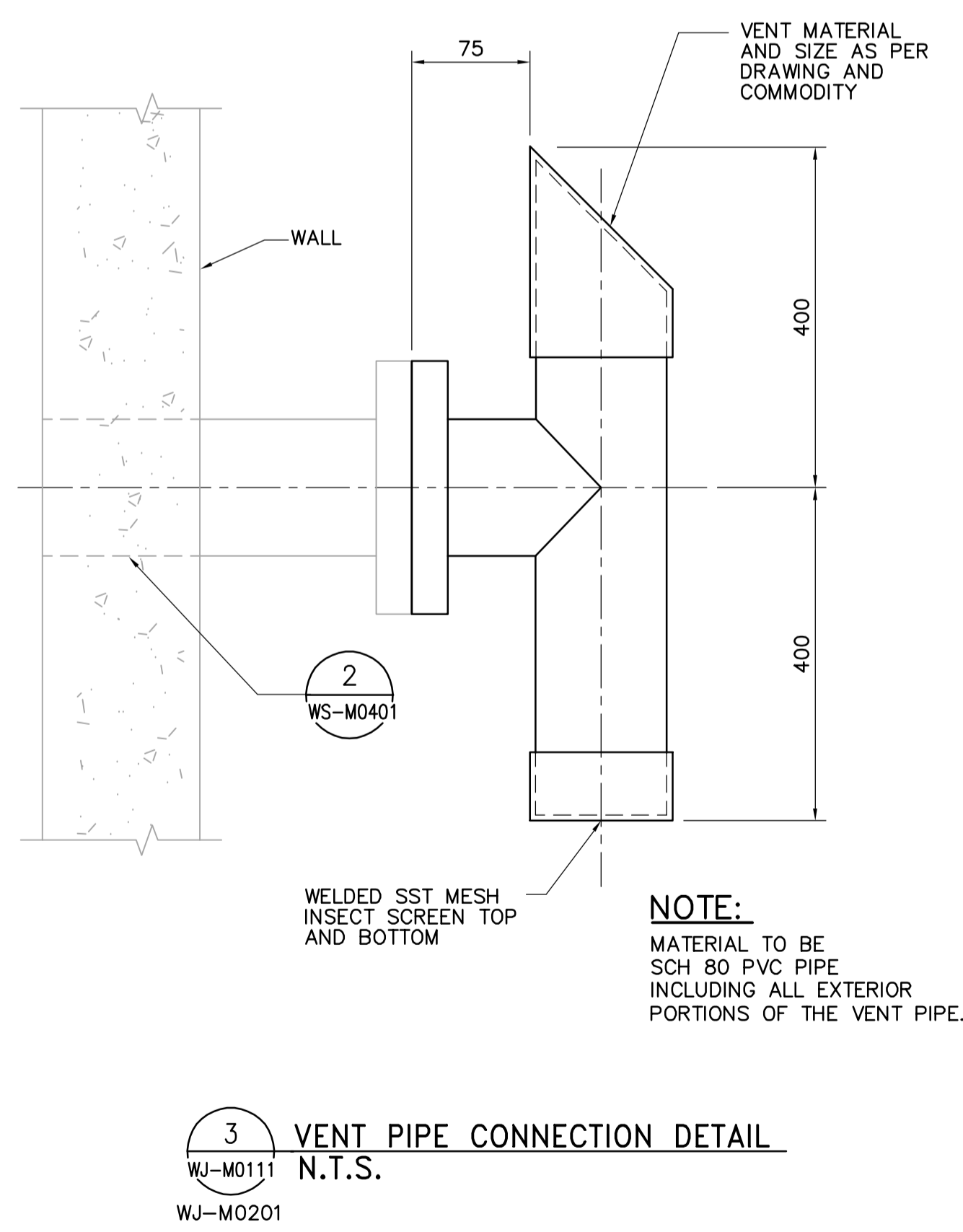
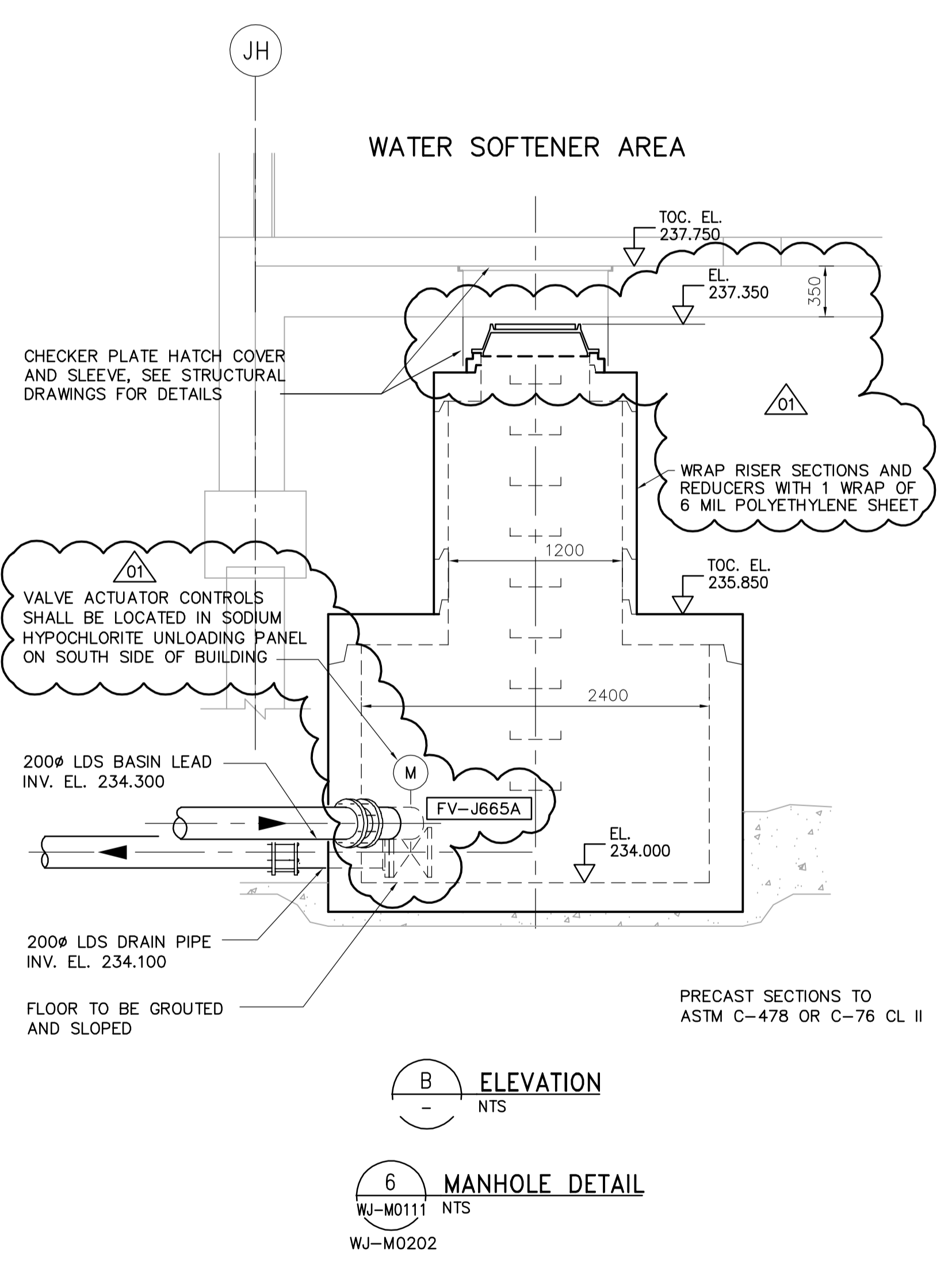
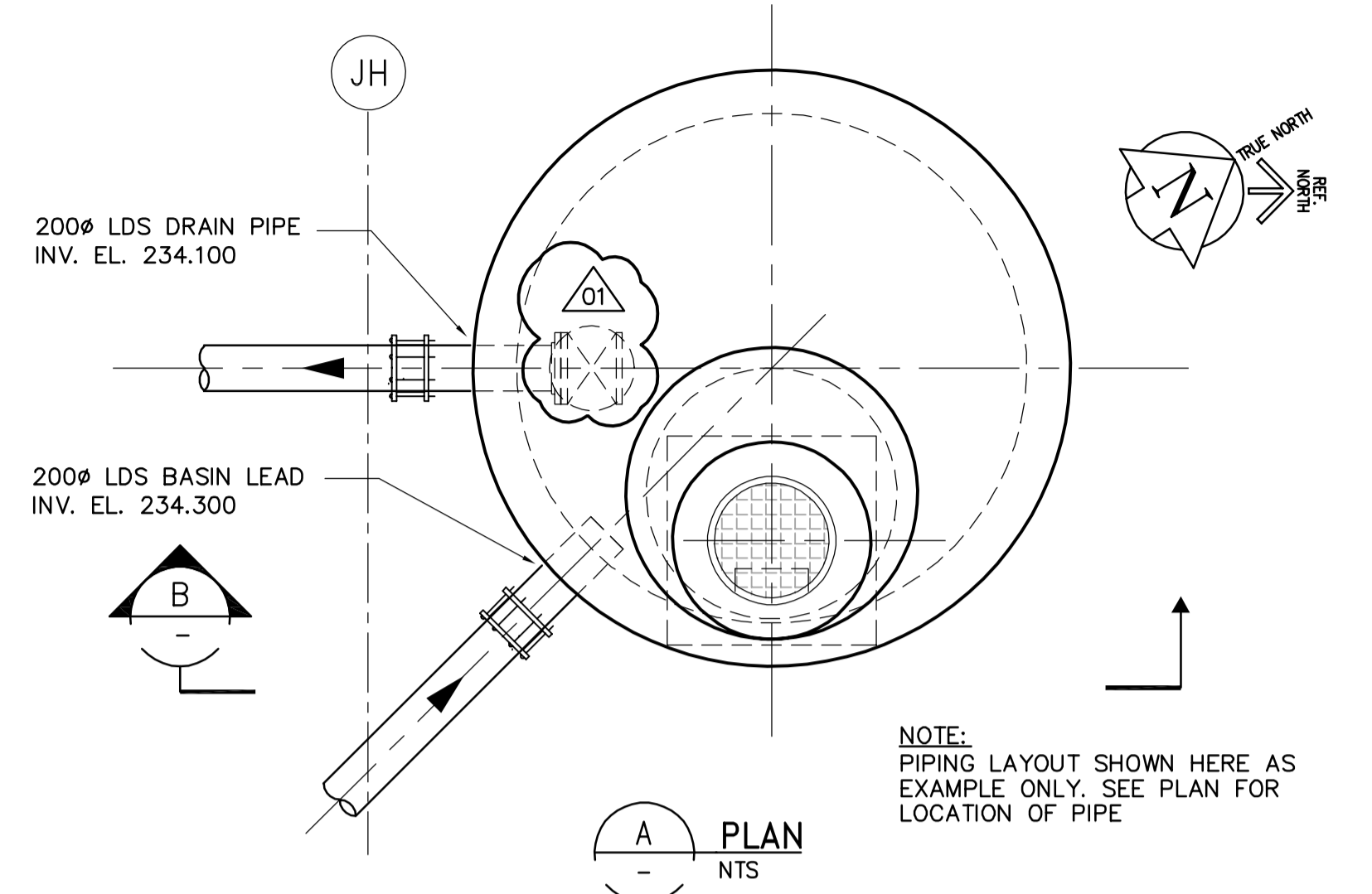


NOTE:
LOCATE CONTROL PANEL CONTAINMENT MANHOLE ACTUATOR FV-J665A IN THE ABOVE CHEMICAL LOADING CABINET



APECA
Certificate of Authorization
CH2M HILL Canada Ltd.
No. 1441 Expiry: April 30, 2007

B.M. ELEV.					
DESIGNED BY	KS	CHECKED BY	NN		
DRAWN BY	PM	APPROVED BY	AHL		
SCALE:	AS SHOWN	RELEASED FOR CONSTRUCTION BY:	R. SOROKOWSKI		
NO. REVISIONS		DATE	2006/10/14	DATE	2007/01/31

CH2MHILL
Frederickson Cooper ARCHITECTS

EarthTech
A 100 International Ltd. Company

ENGINEER'S SEAL
ORIGINAL SIGNED BY
P. WOBMA
2007/01/31

CONSULTANT DRAWING NO.
WJ-M0402

THE CITY OF WINNIPEG
WATER AND WASTE DEPARTMENT
ENGINEERING DIVISION

WATER TREATMENT PLANT
SODIUM HYPOCHLORITE BUILDING
SODIUM HYPOCHLORITE AND CHEMICAL STORAGE BUILDINGS

PROCESS MECHANICAL
SODIUM HYPOCHLORITE BUILDING
DETAILS

CITY FILE NUMBER
SHEET OF
CITY DRAWING NUMBER
1-0601J-A-M0402-001-010