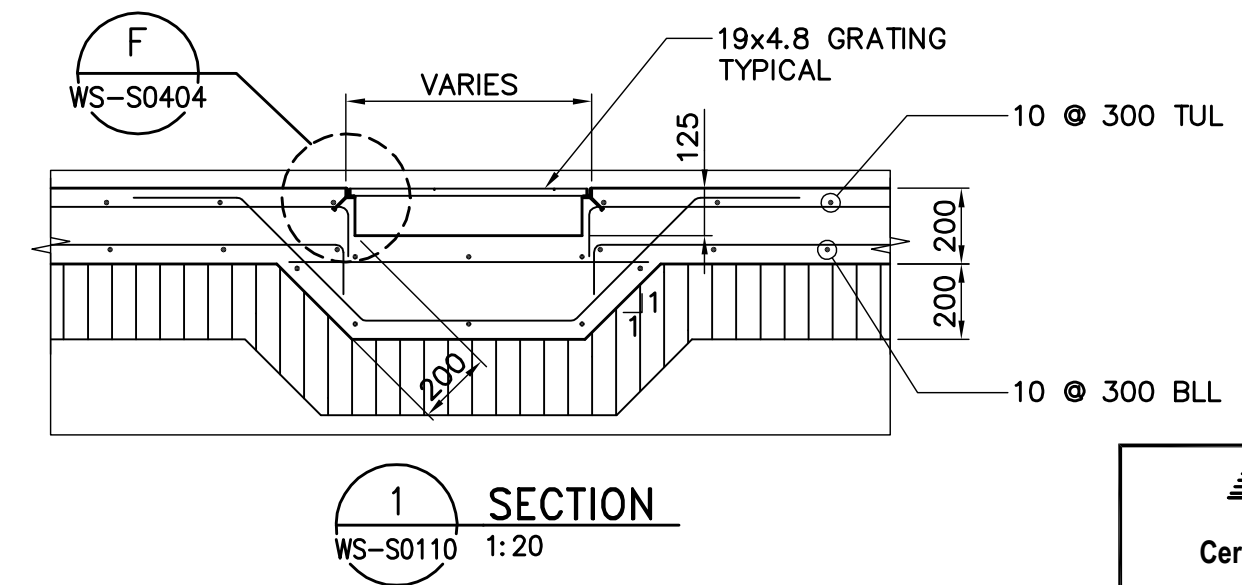


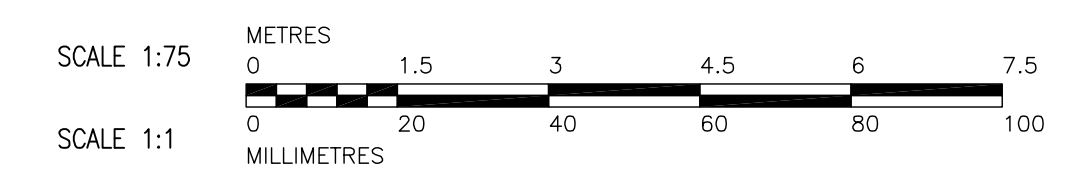
**MAIN FLOOR FRAMING PLAN**  
1:75

**DESIGN LOADS:**

- DEAD LOADS:
  - 1.) STRUCTURE SELF WEIGHT
  - 2.) ROOFING = 0.40 kPa
  - 3.) MECHANICAL LOAD = 1.20 kPa
  - 4.) EQUIPMENT LOAD = AS SHOWN
- LIVE LOADS
  - 1.) GROUND SNOW LOAD -  $S_s = 1.70$  kPa,  $S_r = 0.20$  kPa  
MODIFY FOR EXPOSURE & DRIFT AS PER NBC 1995.
  - 2.) WIND =  $q$  (1/100) PER NBC



- DRAWING NOTES:**
- REFER TO DRAWING WS-S0421 TO WS-S0423 FOR STAIR DETAILS.
  - FOR CONCRETE BEAM SIZES AND DIMENSIONS SEE DWG. WS-S0100.
  - FOR EQUIPMENT LOCATION REFER TO MECHANICAL DWGS.
  - ALL BASEPLATES ARE SC-3 UNLESS OTHERWISE NOTED.



B.M. ELEV.	<b>CH2M HILL</b> Frederickson Cooper ARCHITECTS		<b>EarthTech</b> A Tyco International Ltd. Company		ENGINEER'S SEAL
	DESIGNED BY: ARA	CHECKED BY: AP	ORIGINAL SIGNED BY: A. POCHANART		2007/01/31
	DRAWN BY: WDB	APPROVED BY: AHL	CONSULTANT DRAWING NO. WS-S0110		
01 792-2006 ADDENDUM 2	07/03/22	WDB	SCALE: AS NOTED	RELEASED FOR CONSTRUCTION BY: R. SOROKOWSKI	
00 ISSUED FOR TENDER	07/01/31	CMF	DATE: 2006/08/31	DATE: 2007/01/31	

**THE CITY OF WINNIPEG**  
WATER AND WASTE DEPARTMENT  
ENGINEERING DIVISION

WATER TREATMENT PLANT  
BULK CHEMICAL BUILDING  
SODIUM HYPOCHLORITE AND CHEMICAL STORAGE BUILDING

STRUCTURAL  
MAIN FLOOR FRAMING PLAN

CITY FILE NUMBER  
SHEET OF  
CITY DRAWING NUMBER  
**1-06018-A-S0110-001-01D**