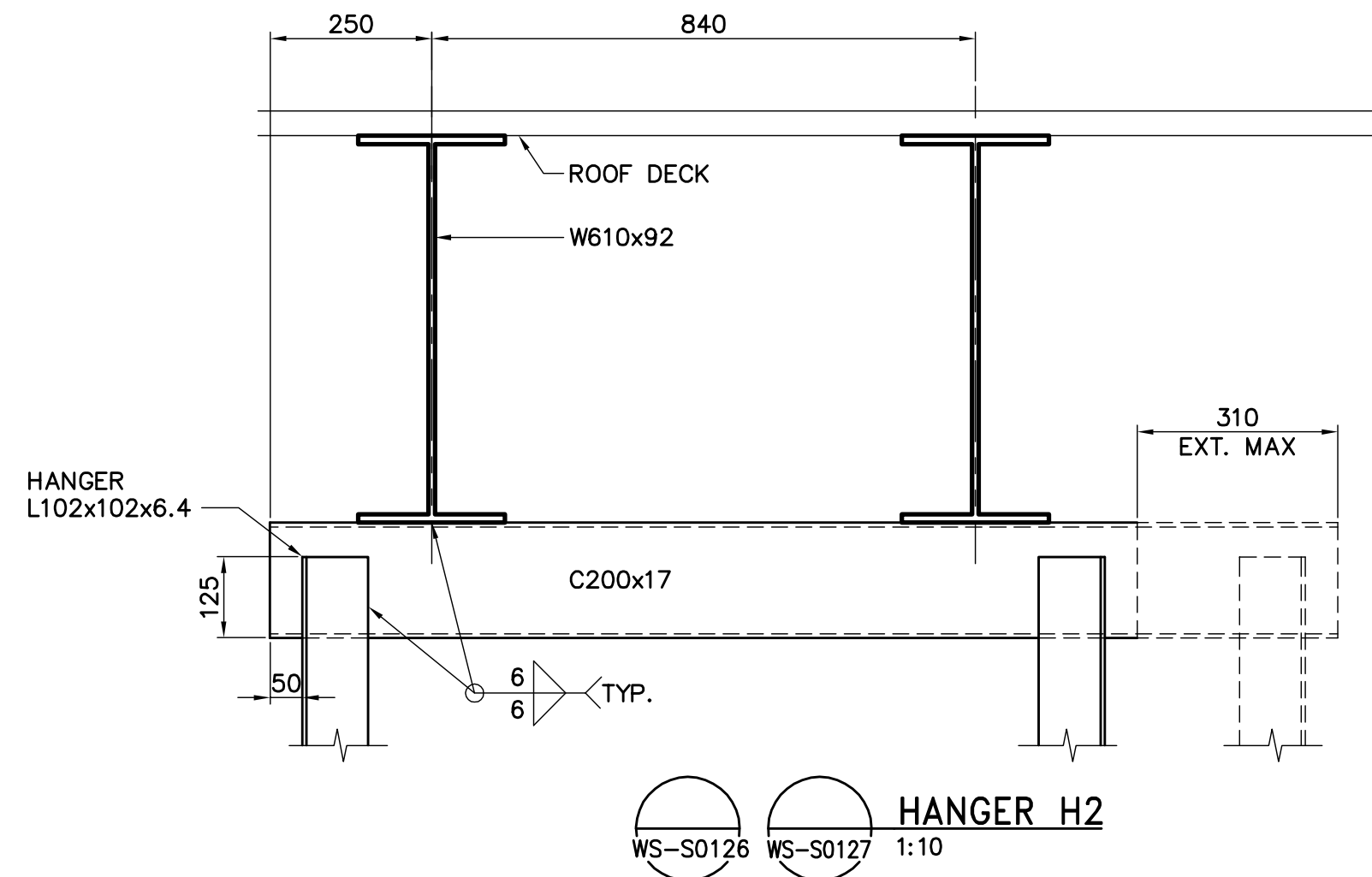
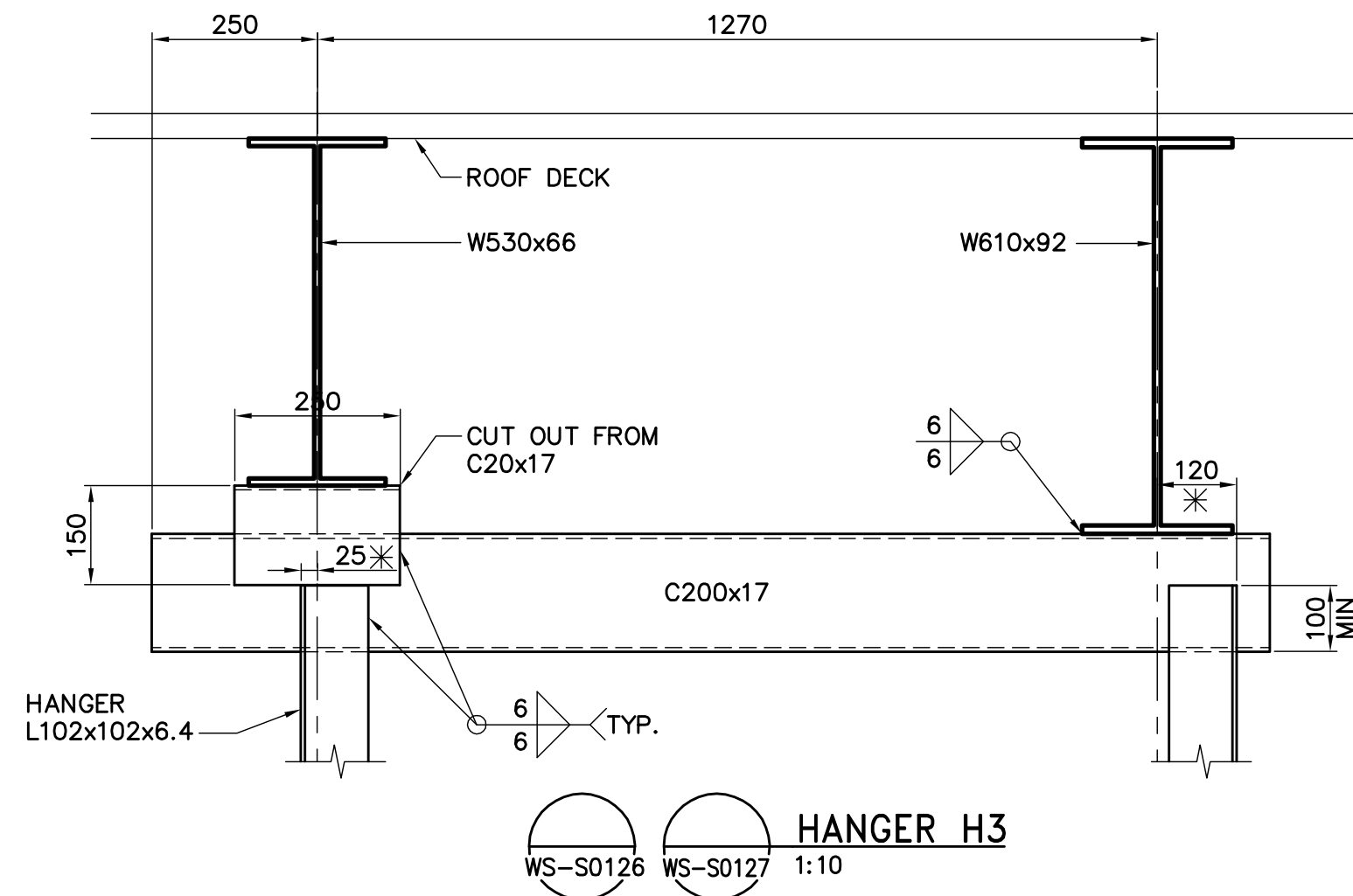


HANGER H1
WS-S0126 WS-S0127 1:10

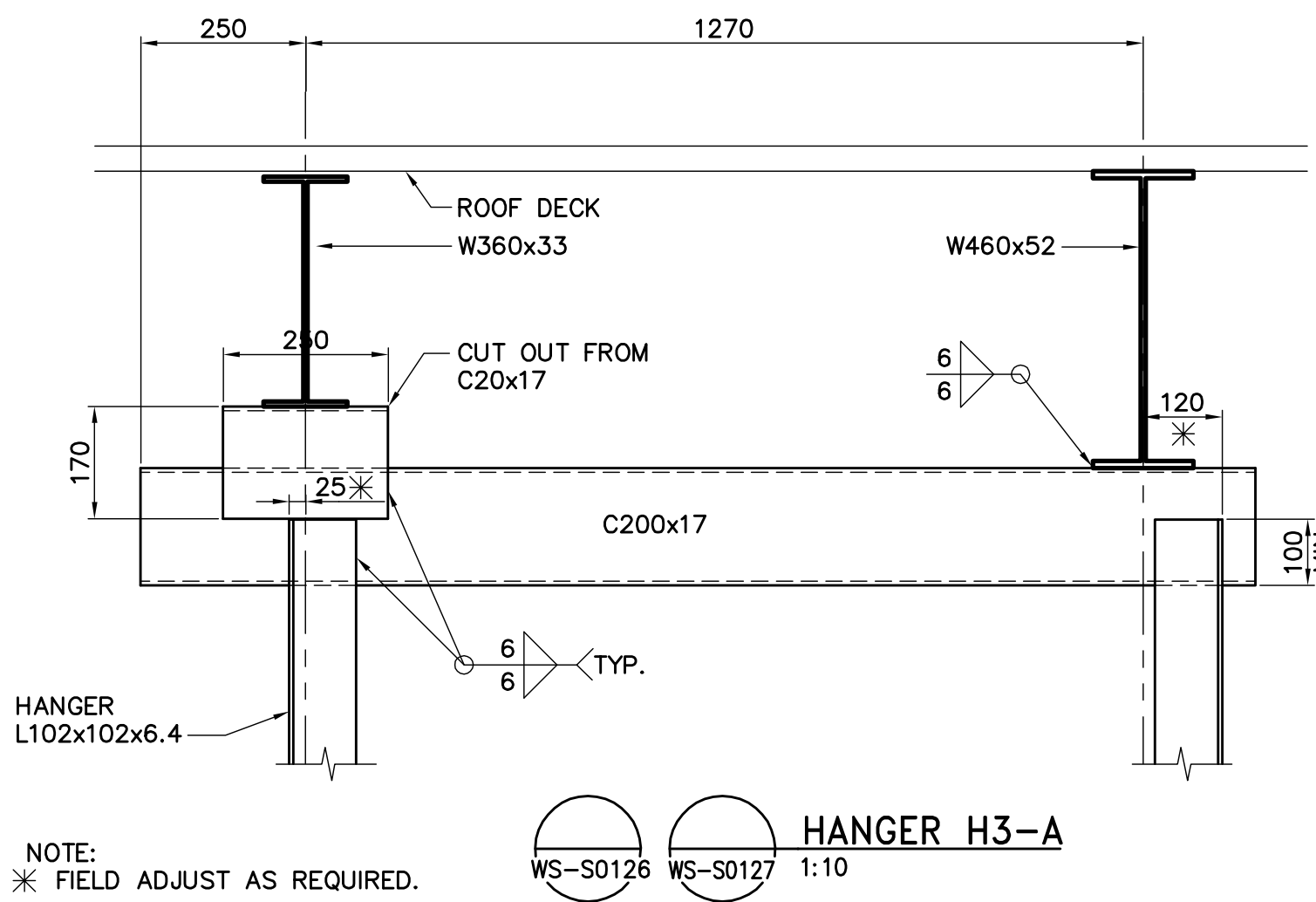


HANGER H2
WS-S0126 WS-S0127 1:10

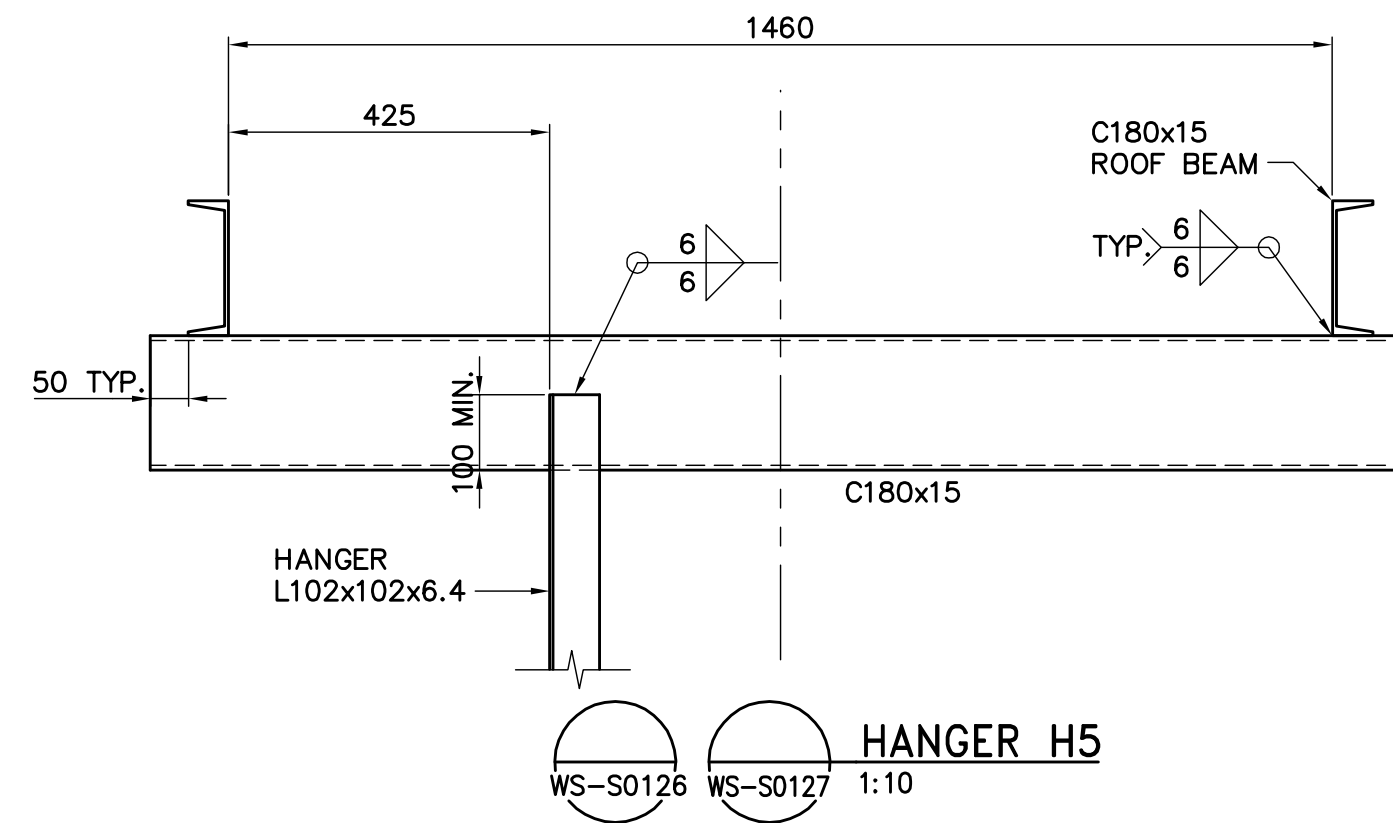


HANGER H3
WS-S0126 WS-S0127 1:10

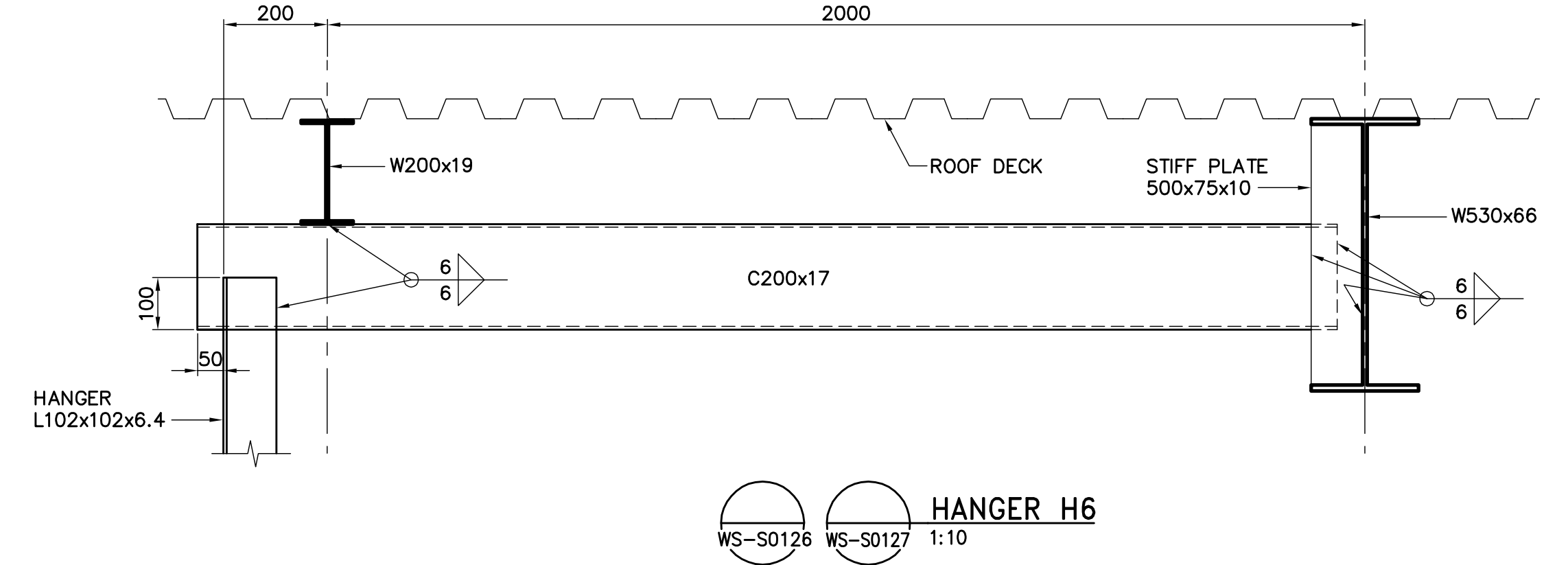
NOTE:
* FIELD ADJUST AS REQUIRED.



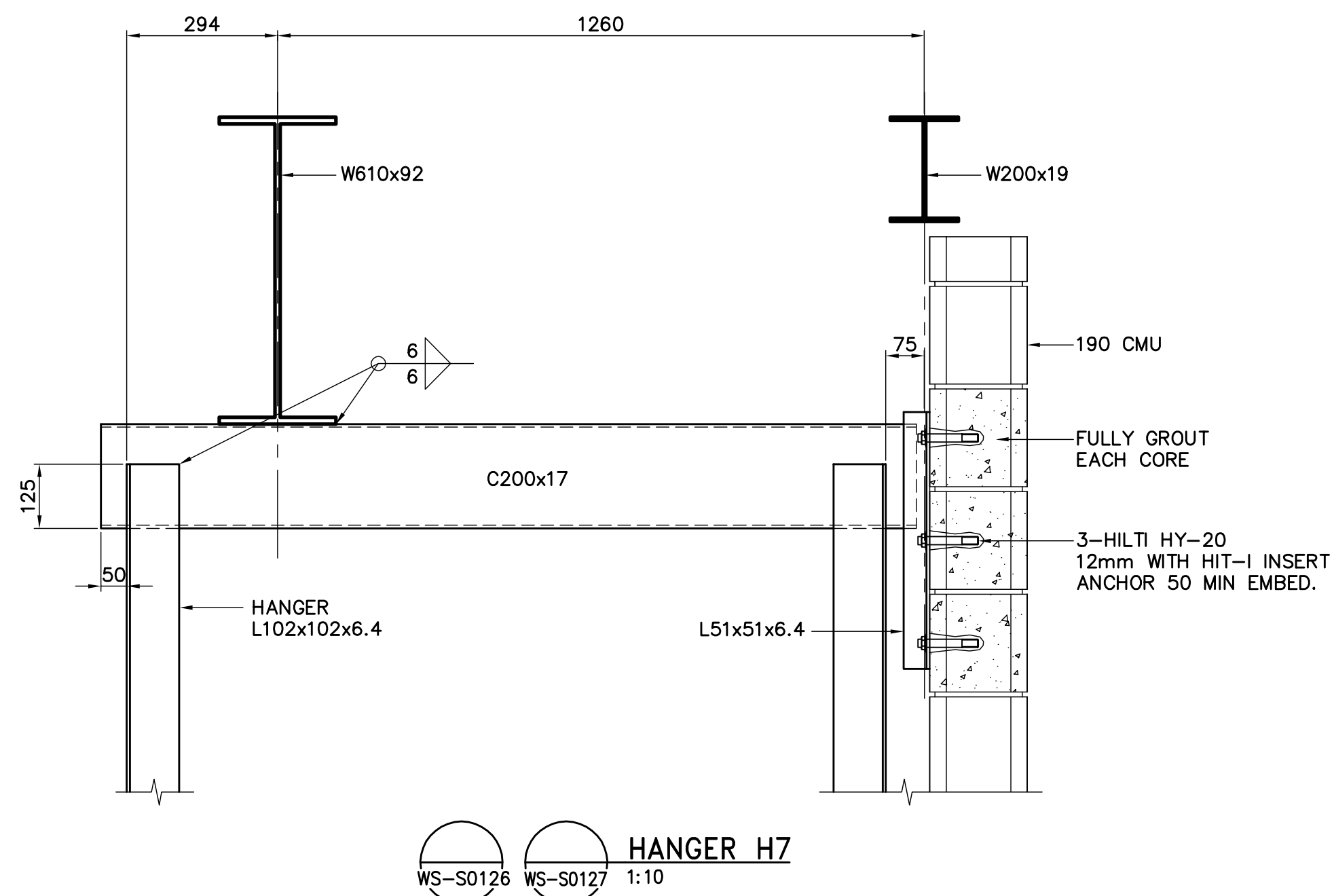
HANGER H3-A
NOTE:
* FIELD ADJUST AS REQUIRED.
WS-S0126 WS-S0127 1:10



HANGER H5
WS-S0126 WS-S0127 1:10



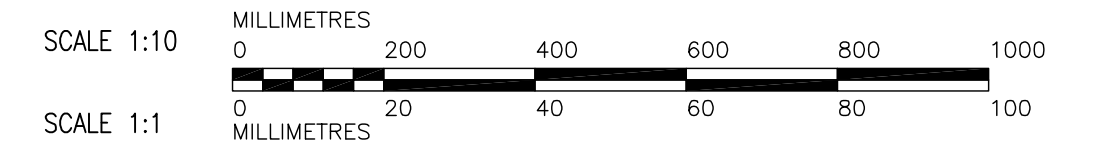
HANGER H6
WS-S0126 WS-S0127 1:10



HANGER H7
WS-S0126 WS-S0127 1:10

FOR HANGER H4 AND H8 -
SUPPORT FOR MECHANICAL UNITS
MAU-800 SEE NO. 2 NOTES.

- NOTE:
1. SUBMIT JOIST SUPPORTED HANGER DETAIL H8 TO THE ENGINEER FOR REVIEW AND APPROVAL BEFORE FABRICATION.
2. SUBMIT SHOP DRAWINGS FOR PLATFORM AND HANGERS FOR MAU-800 TO THE ENGINEER FOR APPROVAL PRIOR TO FABRICATION.



B.M. ELEV.	CH2M HILL Frederickson Cooper ARCHITECTS	EarthTech A Tyco International Ltd. Company	ENGINEER'S SEAL ORIGINAL SIGNED BY A. POCHANART 2007/01/31	THE CITY OF WINNIPEG WATER AND WASTE DEPARTMENT ENGINEERING DIVISION
	DESIGNED BY: ARA	CHECKED BY: AP	CONSULTANT DRAWING NO. WS-S0128	WATER TREATMENT PLANT BULK CHEMICAL BUILDING SODIUM HYPOCHLORITE AND CHEMICAL STORAGE BUILDING
	DRAWN BY: WDB	APPROVED BY: AHL		
	SCALE: AS NOTED	RELEASED FOR CONSTRUCTION BY: R. SOROKOWSKI		CITY FILE NUMBER
01 792-2006 ADDENDUM 2 07/03/22 WDB				SHEET OF
00 ISSUED FOR TENDER 07/01/31 WDB				CITY DRAWING NUMBER
NO. REVISIONS DATE BY	DATE 2007/01/30	DATE 2007/01/31		1-06018-A-50128-001-0D