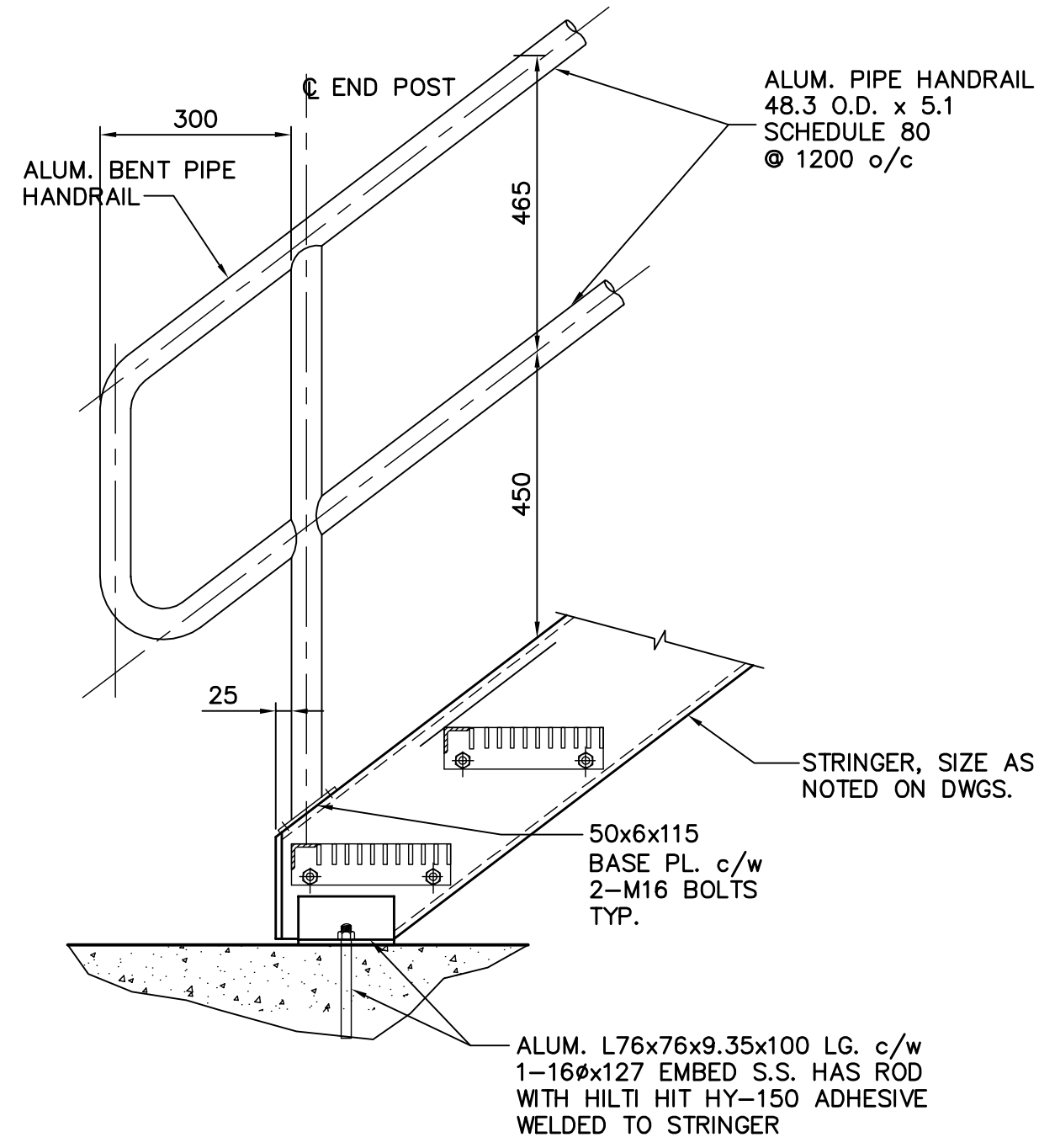
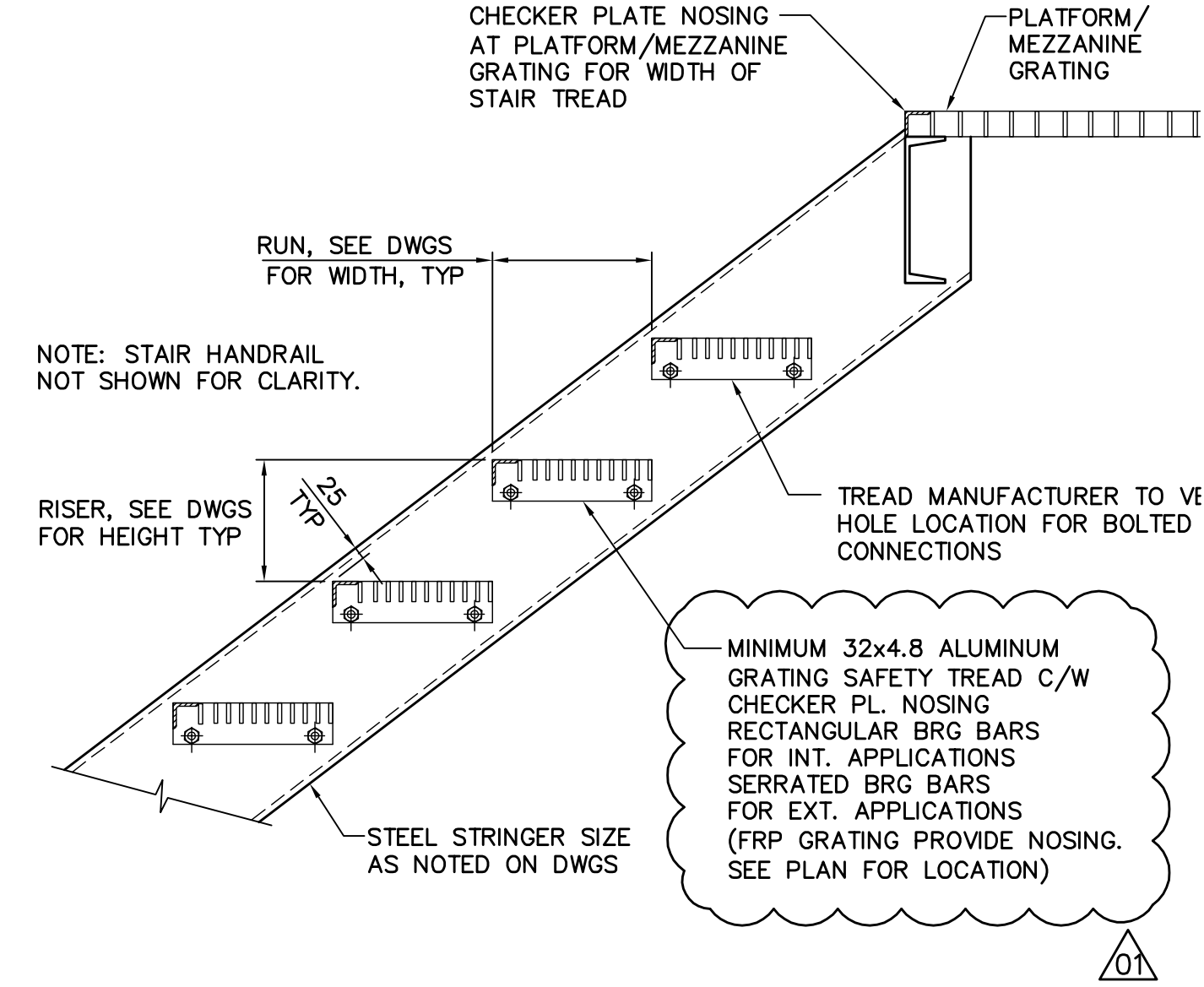


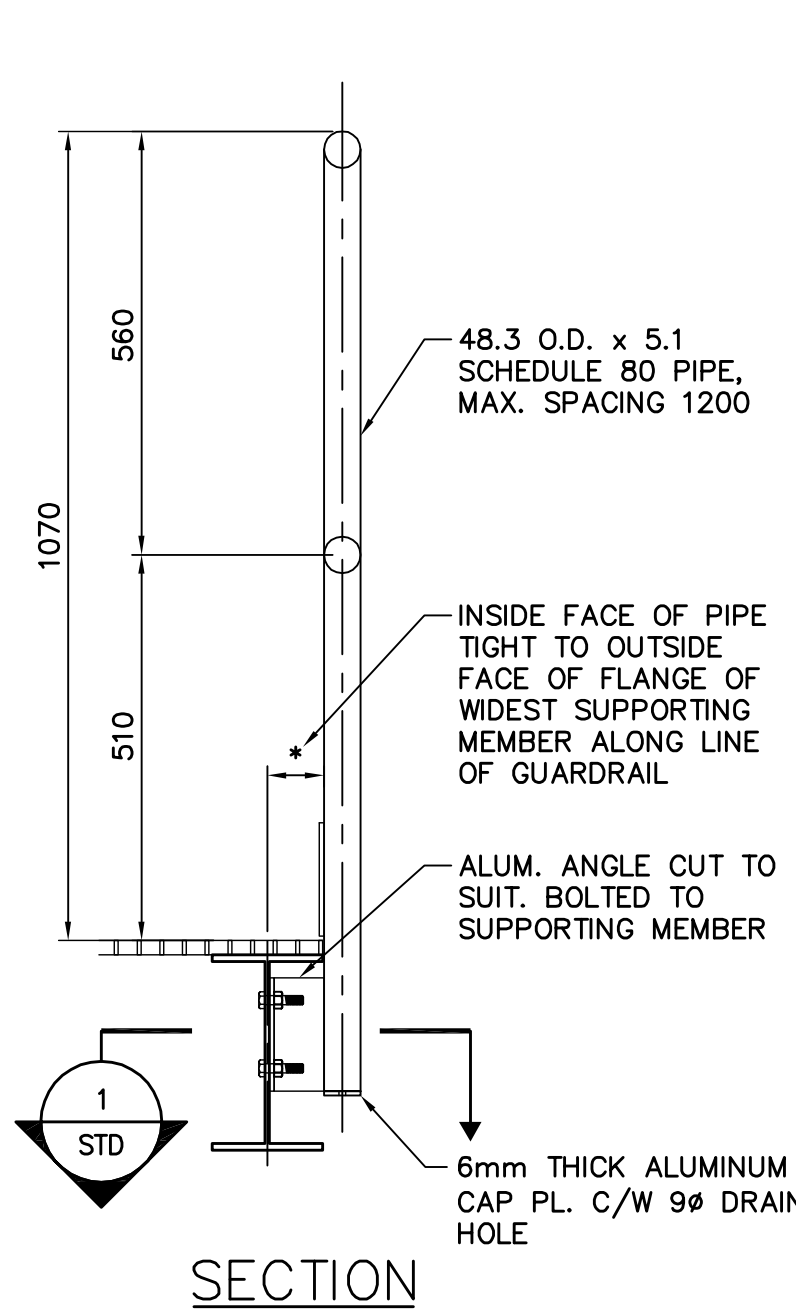
A TYPICAL TRANSITION DETAIL
STD 1:10



B TYPICAL STAIR BASE PLATE & RAILING END DETAIL
STD 1:20

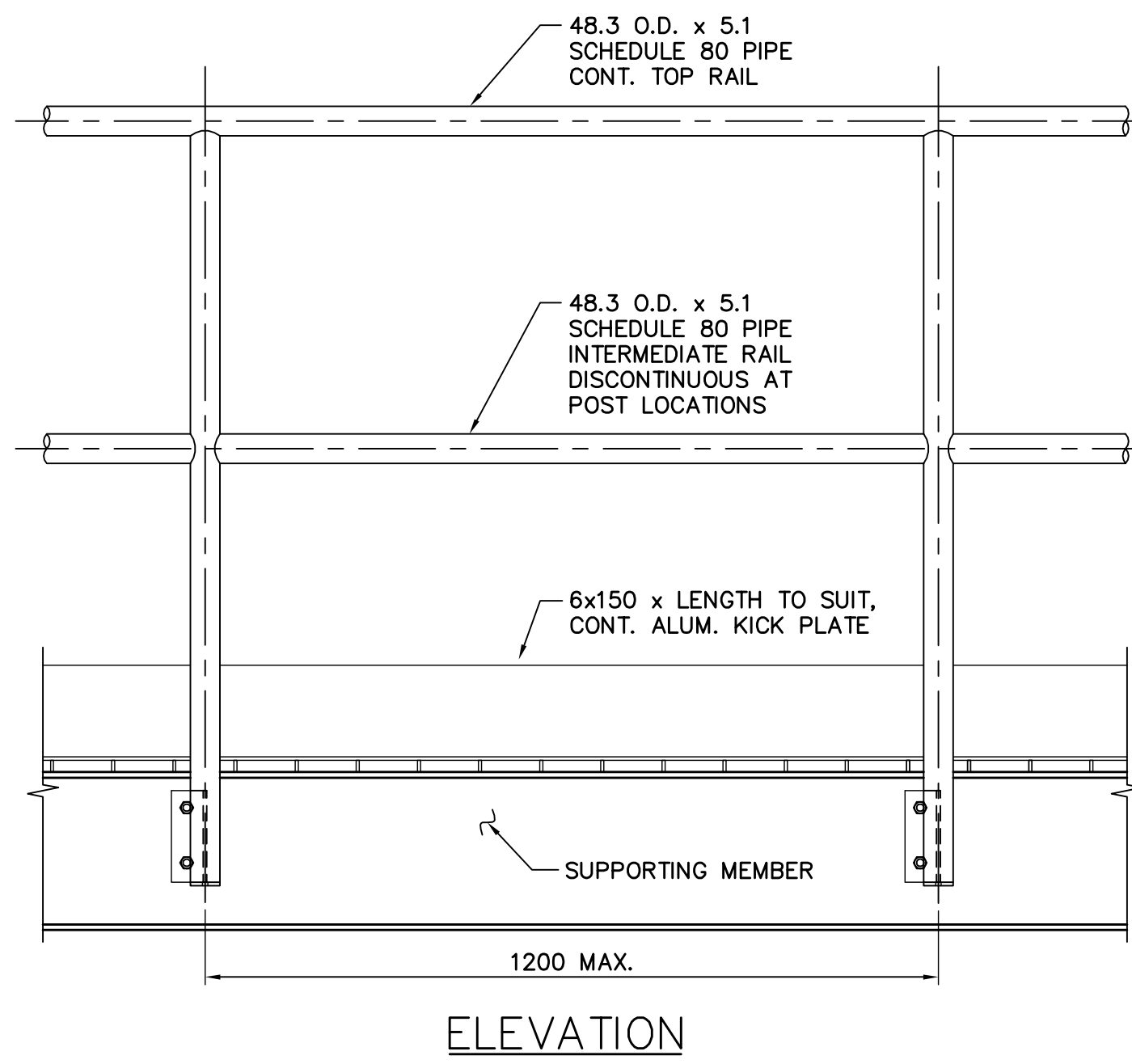


C TYPICAL GRATING STAIR DETAIL
STD 1:20

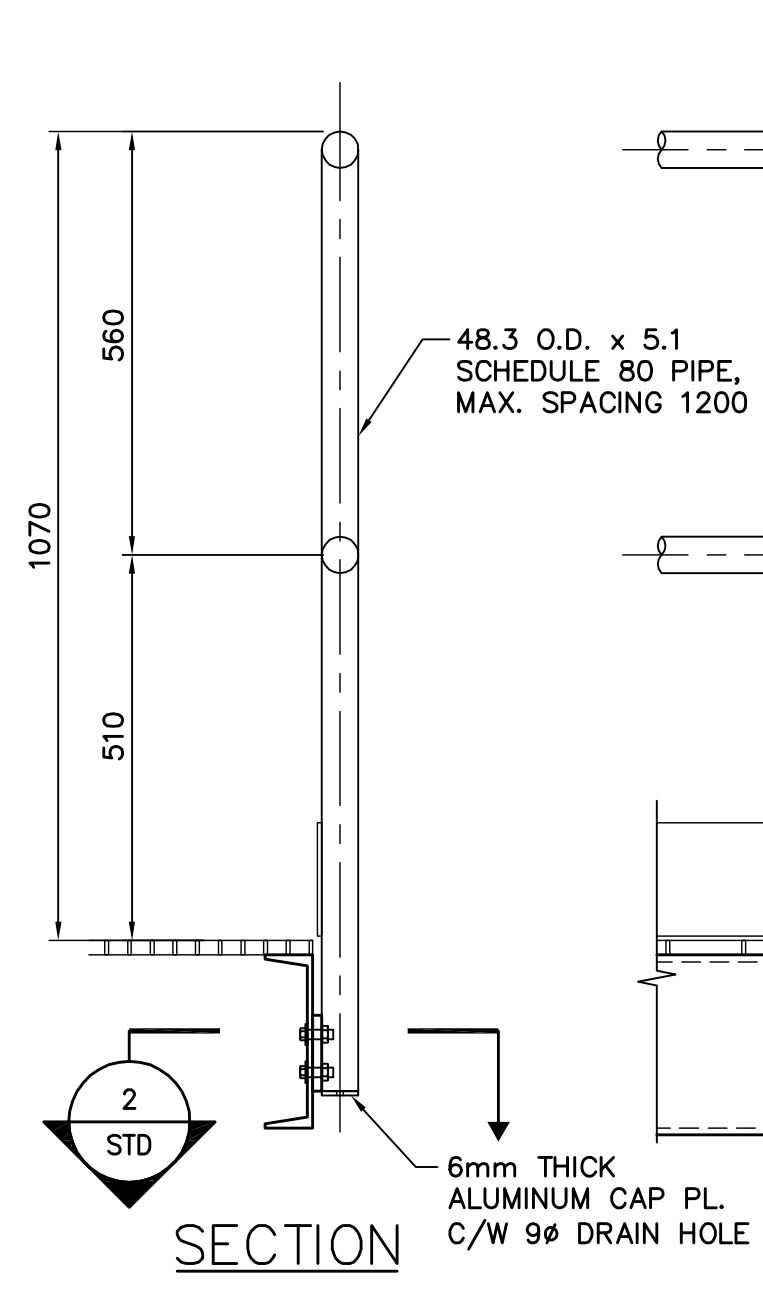


SECTION

1 STD 1:5

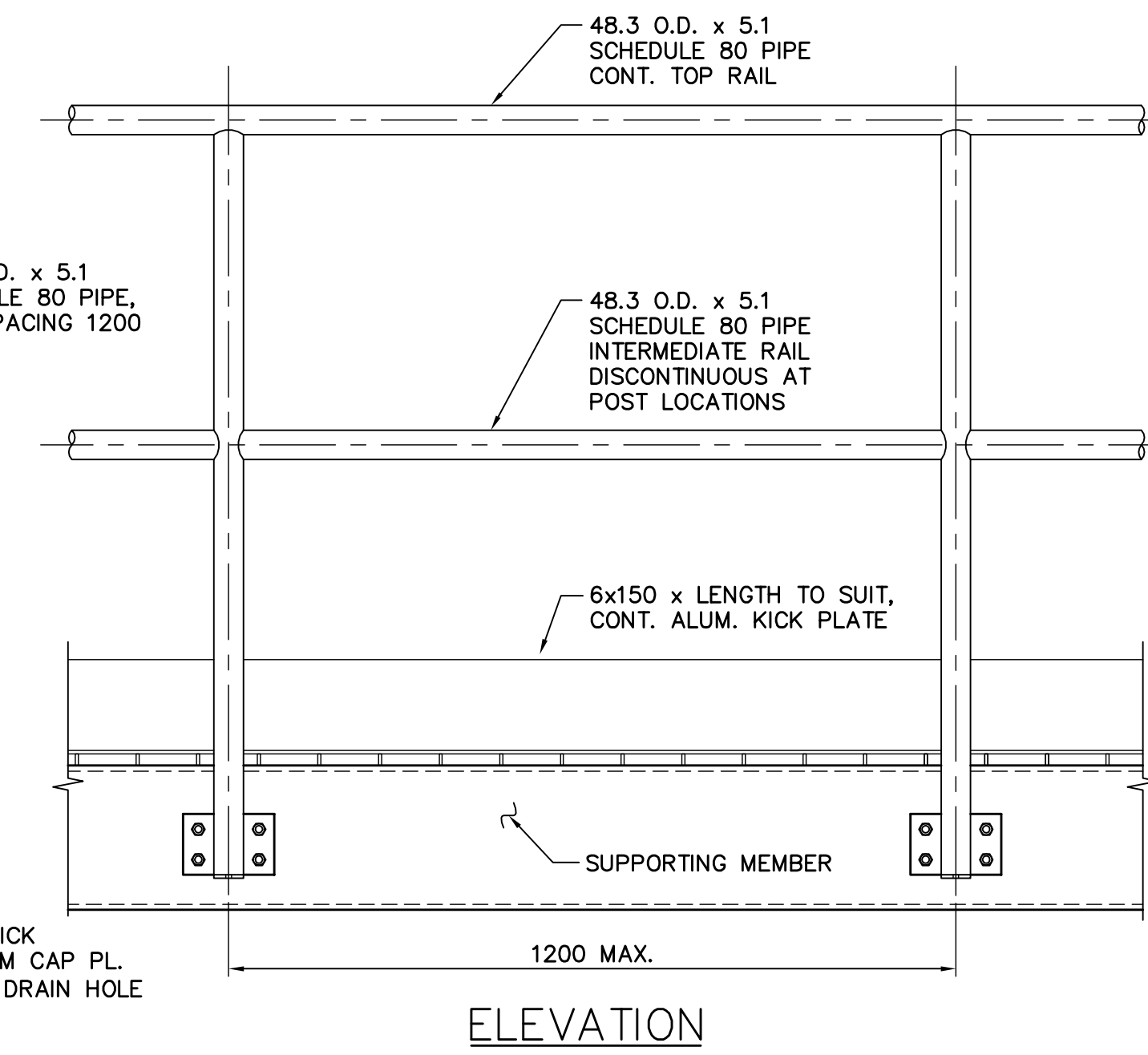


ELEVATION

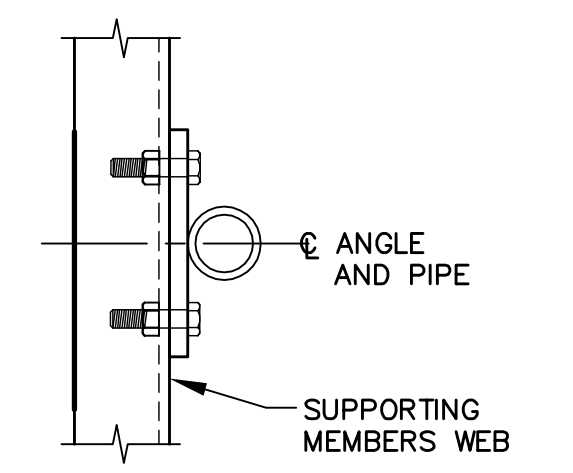


SECTION

2 STD 1:5

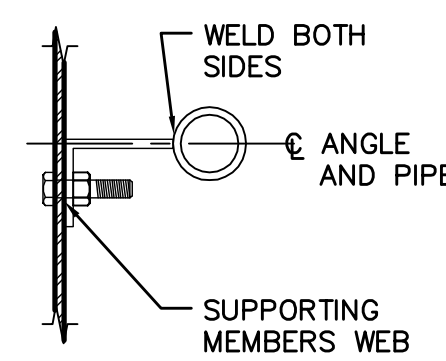


ELEVATION



2 SECTION
STD 1:5

D TYPICAL GUARDRAIL/HANDRAIL DETAILS
STD 1:10



1 SECTION
STD 1:5

- NOTES:
1. PAINT ALL ALUMINUM SURFACES IN CONTACT WITH CONCRETE WITH TWO COATS OF ALKALI-RESISTANT BITUMINOUS PAINT.
 2. ALL GRATING TO BE GALVANIZED STEEL.
 3. ALL STRINGERS, CHANNELS, ANGLES, PLATES AND RAILING TO BE ALUMINUM UNLESS NOTED OTHERWISE.

APEGM
Certificate of Authorization
Earth Tech Canada Inc.
No. 730 Expiry: April 30, 2007

B.M. ELEV.	CH2M HILL Frederickson Cooper ARCHITECTS	EarthTech A Tyco International Ltd. Company	ENGINEER'S SEAL ORIGINAL SIGNED BY A. POCHANART 2007/01/31	THE CITY OF WINNIPEG WATER AND WASTE DEPARTMENT ENGINEERING DIVISION
	DESIGNED BY: ARA	CHECKED BY: AP	CONSULTANT DRAWING NO. WS-S0405	CITY FILE NUMBER
	DRAWN BY: CMF	APPROVED BY: AHL		SHEET OF
01 792-2006 ADDENDUM 2 07/03/22 WDB	SCALE: AS NOTED	RELEASED FOR CONSTRUCTION BY: R. SOROKOWSKI		CITY DRAWING NUMBER
00 ISSUED FOR TENDER 07/01/31 WDB	DATE: 2006/08/30	DATE: 2007/01/31		1-06018-A-80405-001-0D
NO. REVISIONS				