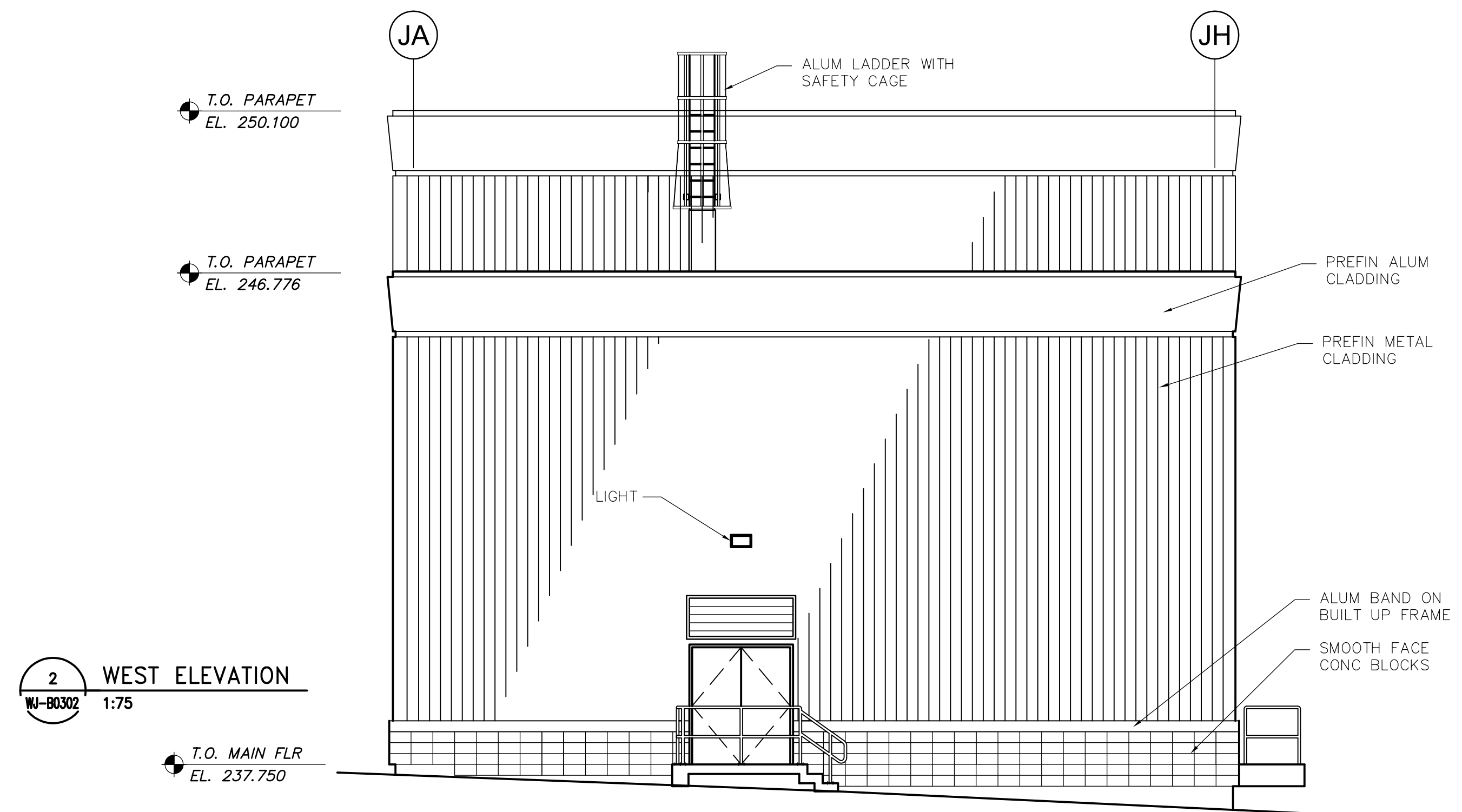
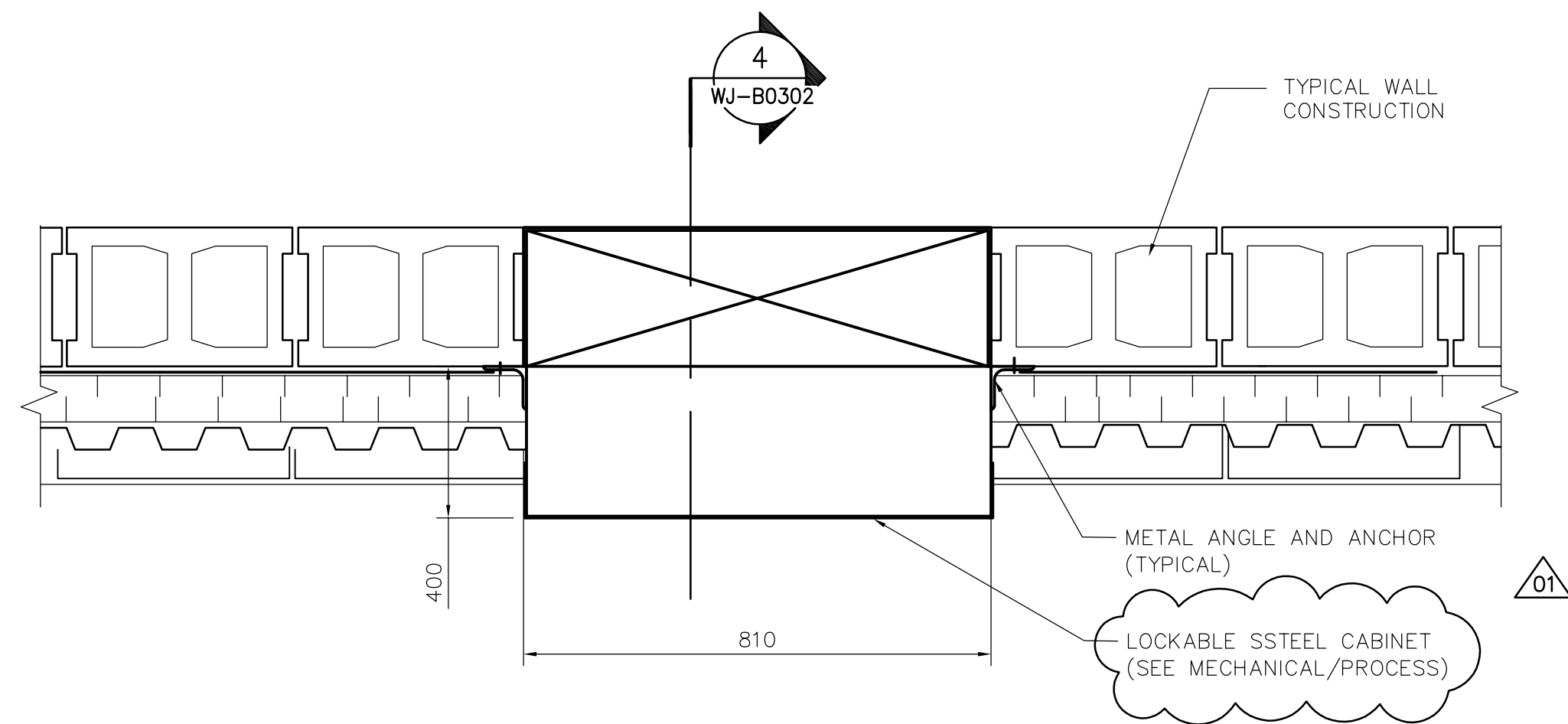


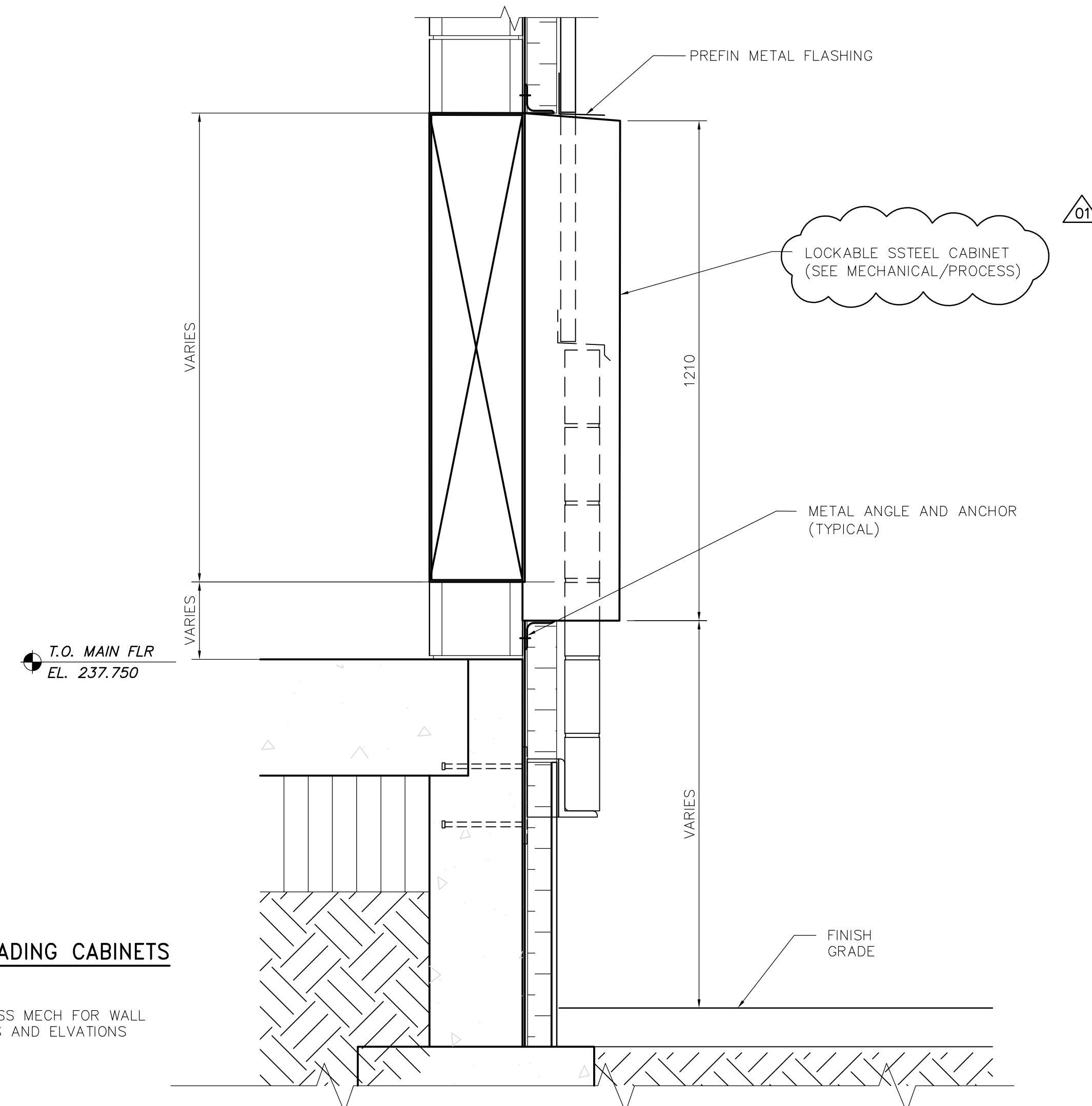
1 EAST ELEVATION
WJ-B0302 1:75



2 WEST ELEVATION
WJ-B0302 1:75



3 PLAN DETAIL OF LOADING CABINETS
WJ-B0302 1:10



4 SECTION OF LOADING CABINETS
WJ-B0302 1:10

NOTE: VERIFY PROCESS MECH FOR WALL OPENING SIZES AND ELVATIONS



B.M. ELEV.	
01	792-2006 ADDENDUM 3 07/03/30 AL
00	ISSUED FOR TENDER 07/01/31 AL
NO.	REVISIONS

DESIGNED BY: NC	CHECKED BY: LK
DRAWN BY: AL	APPROVED BY: AHL
SCALE: AS SHOWN	RELEASED FOR CONSTRUCTION BY: R. SOROKOWSKI
DATE: 2006/09/01	DATE: 2007/01/31

ENGINEER'S SEAL
ORIGINAL SIGNED BY: NEIL COOPER
DATE: 2007/01/31
CONSULTANT DRAWING NO. WJ-B0302

WATER TREATMENT PLANT SODIUM HYPOCHLORITE GENERATION BUILDING SODIUM HYPOCHLORITE AND CHEMICAL STORAGE BUILDING	
ARCHITECTURAL BUILDING ELEVATIONS AND DETAILS	CITY FILE NUMBER
	SHEET OF
	CITY DRAWING NUMBER
	1-0601J-A-B0302-001-010