

ROOM FINISH SCHEDULE																
ROOM No.	ROOM NAME	FLOOR			NORTH WALL		SOUTH WALL		EAST WALL		WEST WALL		CEILING		HGT. AFF	REMARKS
		MAT.	FIN.	BASE	MAT.	FIN.	MAT.	FIN.	MAT.	FIN.	MAT.	FIN.	MAT.	FIN.		
101	HYPOCHLORITE-BRINE STORAGE	CONC	SEAL	SEAL	CONC BLK/ DRY WALL	PNT	CONC BLK/ DRY WALL	PNT	CONC BLK/ DRY WALL	PNT	CONC BLK/ DRY WALL	PNT	ST. DECK	PNT	11.750/ 7.300	
102	ELECTRICAL ROOM	CONC	SEAL	SEAL	CONC BLK	PNT	CONC BLK	PNT	CONC BLK	PNT	CONC BLK	PNT	CONC	PNT	3.795	
103	GENERATOR ROOM	CONC	SEAL	SEAL	CONC BLK	PNT	CONC BLK	PNT	CONC BLK	PNT	CONC BLK	PNT	CONC	PNT	3.795	
201	MEZZANINE FLR	CONC	SEAL	SEAL	CONC BLK	PNT	-	-	-	-	CONC BLK	PNT	ST. DECK	PNT	3.200	

DOOR SCHEDULE													
MARK	WIDTHxHEIGHTxTHICKNESS	TYPE	DOOR			FRAME					HARDWARE GROUP	RATING (HR)	REMARKS
			MAT.	FINISH	GLASS	MAT.	FINISH	TYPE	JAMB	HEAD			
DR101A	2-900x2150x45	D1	HM	PNT	-	HM	PNT	F4	J1	H1	1	-	
DR101B	2-900x2150x45	D1	HM	PNT	-	HM	PNT	F4	J1	H1	1	-	
DR101C	1100x2150x45	D2	HM	PNT	GWG	HM	PNT	F2	J1	H1	3	0.75 FRR	NO THERMAL BREAK
DR102A	2-900x2150x45	D1	HM	PNT	-	HM	PNT	F4	J1	H1	1	-	
DR102B	900x2150x45	D1	HM	PNT	-	HM	PNT	F1	J2	H2	4	1.5 FRR	
DR103	2-750x2150x45	D3	HM	PNT	-	HM	PNT	F3	J2	H2	2	1.5 FRR	

ABBREVIATIONS:

- ALUM = ALUMINUM
- FR = FIRE RATING
- GYP BD = GYPSUM BOARD
- GWG = GEORGIAN WIRED GLASS
- HM = HOLLOW METAL
- MTL = METAL
- N/A = NOT APPLICABLE
- PNT = PAINTED
- PREFIN = PREFINISHED
- STL = STEEL
- TSG = TEMPERED SAFETY GLASS

HARDWARE SCHEDULE

GROUP 1

6 BUTT HINGES	TA386 4 1/2 x 4 NRP	32D	MCKINNEY
1 EXIT DEVICE	8831 ETL x 644 STRIKE	32D	SARGENT
2 FLUSHBOLTS	GSH 401	26D	GSH
1 CLOSER	P7500	689	NORTON
2 CONCEALED O/H STOP	6-346	32D	RIXSON
2 KICKPLATES	GSH 80A 10 x 35.25	32D	GSH
1 ASTRAGAL	351CP 7"	CP	PEMCO
1 WEATHER STRIP	297 SNS 1/6 x 2/7		PEMCO
2 SWEEPS	345ANB 3"	ANB	PEMCO
1 THRESHOLD	172AK 6"	PEMKOTE	PEMCO

GROUP 2

6 BUTT HINGES	TA386 4 1/2 x 4 NRP	32D	MCKINNEY
1 LOCKSET	11C37	32D	SARGENT
2 FLUSHBOLTS	P7500	26D	GSH
1 CLOSER	6-346	689	NORTON
2 CONCEALED O/H STOP	GSH 80A 10 x 35.25	32D	RIXSON
2 KICKPLATES	351CP 7"	32D	GSH
1 ASTRAGAL	297 SNS 1/6 x 2/7	CP	PEMCO
1 WEATHER STRIP	345ANB 3"		PEMCO
2 SWEEPS	172AK 6"	ANB	PEMCO
1 THRESHOLD		PEMKOTE	PEMCO

GROUP 3

4 BUTT HINGES	TA 314 4 1/2x4	32D	MCKINNEY
1 PASSAGE	11U15LL	26DCPC	SARGENT
1 CLOSER	7500	689	NORTON
1 KICKPLATE	GSH 80A 10x34.5	32D	GSH
1 WALLSTOP	GSH 250	26D	GSH

GROUP 4

3 BUTT HINGES	TA 314 4 1/2x4	32D	MCKINNEY
1 PASSAGE	11U15LL	26DCPC	SARGENT
1 CLOSER	7500	689	NORTON
1 KICKPLATE	GSH 80A 10x34.5	32D	GSH
1 WALLSTOP	GSH 250	26D	GSH

BUILDING CODE ANALYSIS

Winnipeg Water Treatment Plant
Hypochlorite Building
Winnipeg, Manitoba

Building Code Analysis

1.0 General

.1 The building is a One (1) Storey (with mezzanine), non-combustible building utilized for the storage of non-combustible chemicals (which are for use in the nearby treatment plant). The building is located north of the main water treatment plant. The building is joined to the "Bulk Chemical Building" to the east by means of a bridge which include a one-hour separation at each end.

2.0 Description

- ◆ Storeys: One (1) with mezzanine
- ◆ Building Area: 551.7 m2 (5,936.3 sf)
- ◆ Sprinklered: No
- ◆ Occupancy Type: Group F, Division 3
- ◆ Occupant Load: None (0) (intermittent use only)
- ◆ Streets: One (1)

3.0 Regulation

.1 This project may be regulated under **3.2.2.80., Group F, Division 3, One Storey**

.2 Classification

- .1 Requirements:
- ◆ ≤ 5,600 m2 (60,256 sf) Building Area (Conforms @ 551.7 m2)
 - ◆ One (1) Stories (Conforms)
 - ◆ Unsprinklered (Conforms)
 - ◆ Type "F-3" Occupancy (Conforms)
 - ◆ One (1) Street (Conforms)

.2 Stipulations:

- ◆ May be Combustible or Non-combustible construction
- ◆ Floor Assemblies - 45 minutes FRR. (Conforms)
- ◆ Load bearing Elements - 45 minutes FRR. (Conforms)

4.0 General Conformance

.1 3.4.2.4 - Travel Distance

.1 Maximum travel distance to an exit is 30 m (98') - Conforms (maximum travel of 20.5 m (67')).

.2 3.4.2.1 - Number of Exits

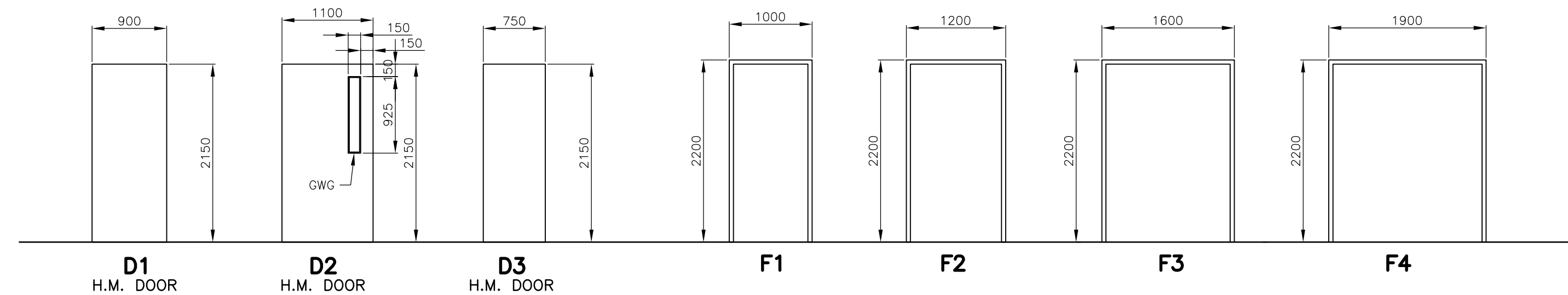
.1 Conforms (two (2) required - four (4) provided).

.3 3.2.3.1 - Limiting Distance

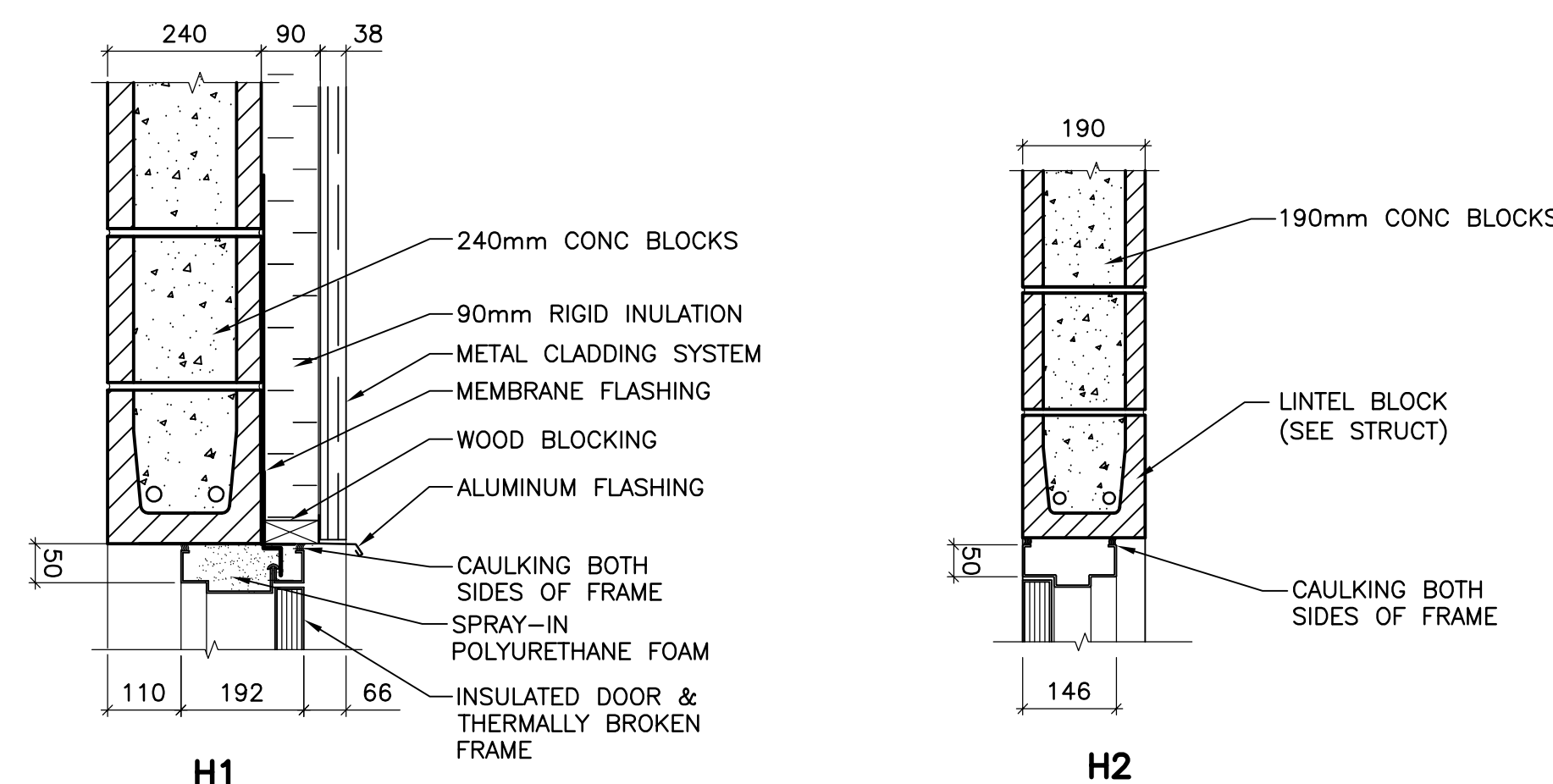
.1 To the east, building has a 0.0m limiting distance to a virtual property line at the east face of the adjacent Hypochlorite building. As such, the west face of the Hypochlorite building is required to be rated with a 1 HR fire resistance rating (conforms).

.4 Fire Rating Separations

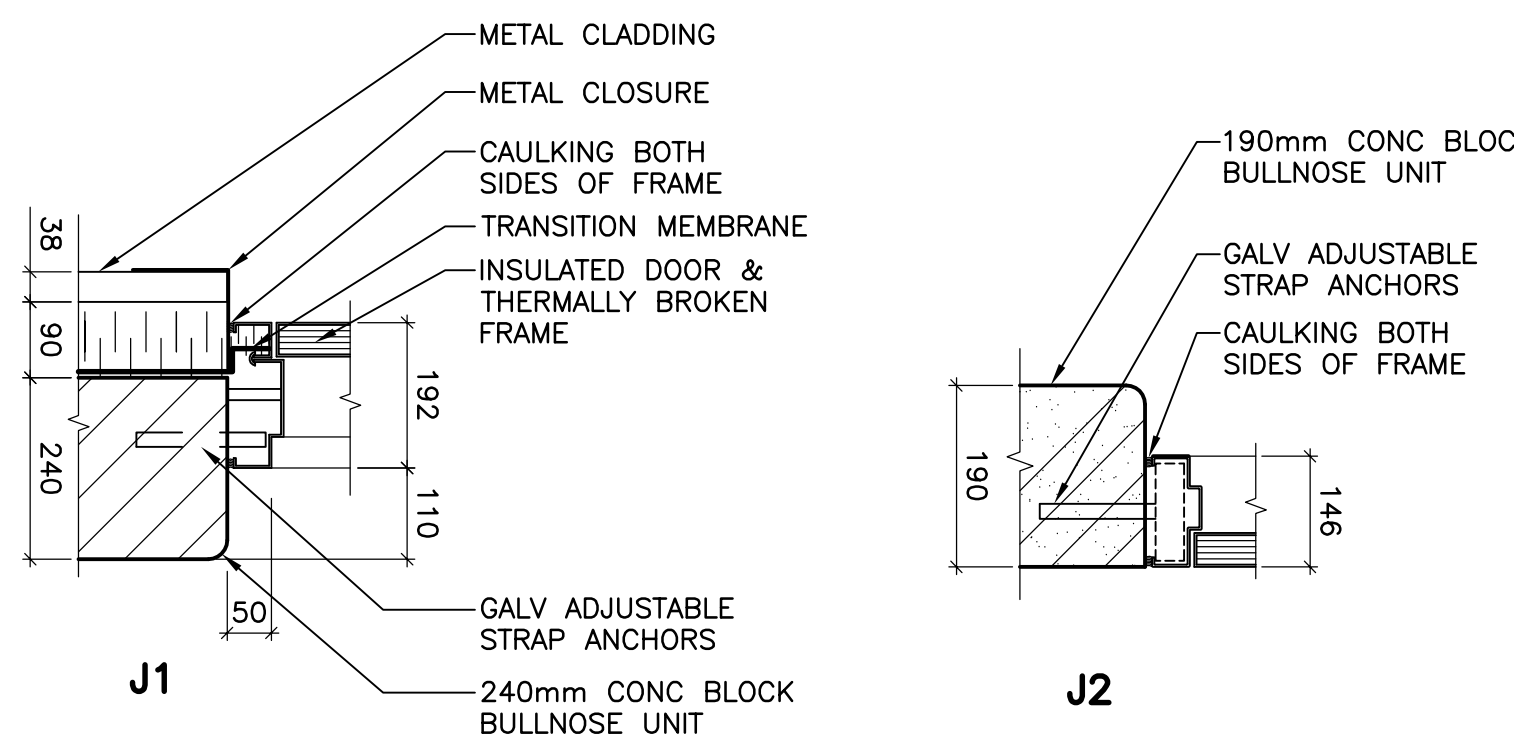
.1 Generator Room (RN 103) is rated with a 1 HR FRR.



2 DOOR/FRAME DETAILS
WJ-B0501 1:10



1 JMAB/HEAD DETAILS
WJ-B0501 1:10



B.M. ELEV.

02	792-2006 ADDENDUM 3	07/03/30	AL
01	792-2006 ADDENDUM 2	07/03/20	AL
00	ISSUED FOR TENDER	07/01/31	AL

NO. REVISIONS DATE BY



DESIGNED BY: NC	CHECKED BY: AL
DRAWN BY: AL	APPROVED BY: AHL
SCALE: AS SHOWN	RELEASED FOR CONSTRUCTION BY: R. SOROKOWSKI
DATE: 2006/09/01	DATE: 2007/01/31

ENGINEER'S SEAL

ORIGINAL SIGNED BY: NEIL COOPER

2007/01/31

CONSULTANT DRAWING NO. WJ-B0501

THE CITY OF WINNIPEG
WATER AND WASTE DEPARTMENT
ENGINEERING DIVISION

WATER TREATMENT PLANT
SODIUM HYPOCHLORITE GENERATION BUILDING
SODIUM HYPOCHLORITE AND CHEMICAL STORAGE BUILDING

CITY FILE NUMBER

SHEET OF

CITY DRAWING NUMBER

1-0601J-A-B0501-001-02D