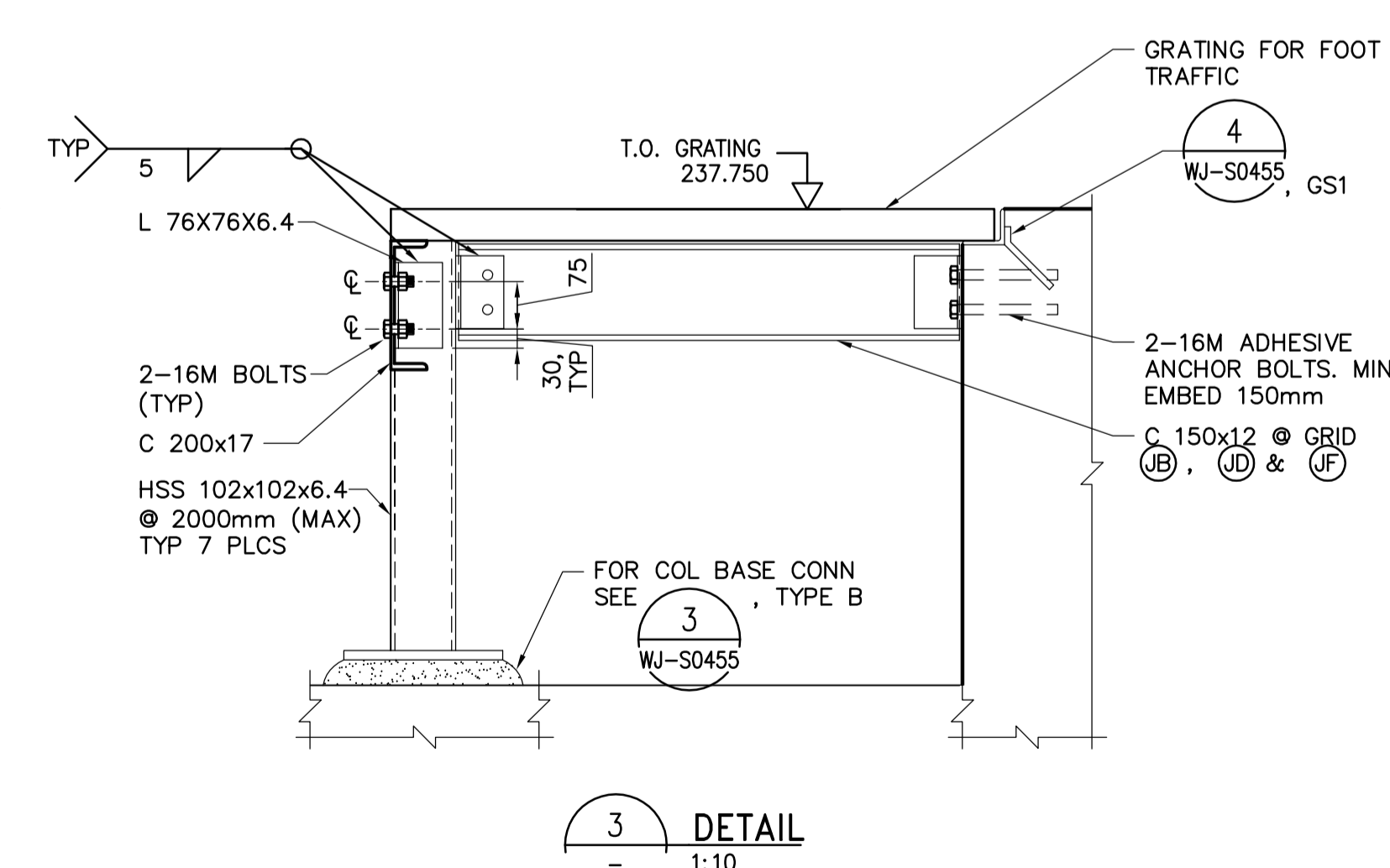


**B SECTION**  
WJ-F0105 1:50  
WJ-S0101  
WJ-S0111  
WJ-S0121  
(REVISED FOR IFT FEB. 22/07 DK)



- NOTE:**
1. ANCHOR BOLTS, SIZE AND LOCATIONS TO SUIT EQUIPMENT SUPPLIED
  2. ANCHOR BOLT EMBEDMENT DETAILS, PRESTRESSING, ETC, AS REQUIRED BY EQUIPMENT MANUFACTURER
  3. FOR ANCHOR BOLT DETAILS, SEE 6 WJ-S0454

- NOTE:**
1. SEE PLANS WJ-S0101 AND WJ-S0111 FOR REBAR SIZE AND SPACING.
  2. FOR GENERAL NOTES SEE DWG WS-S0001. IN CASE OF CONFLICTING INFORMATION, WJ-SERIES DRAWINGS GOVERN.

<p>Certificate of Authorization CH2M HILL Canada Ltd. No. 1441 Expiry: April 30, 2007</p>	<table border="1"> <tr> <th>B.M. ELEV.</th> <th>DATE</th> <th>BY</th> </tr> <tr> <td> </td> <td> </td> <td> </td> </tr> </table>	B.M. ELEV.	DATE	BY				<p>Frederickson Cooper ARCHITECTS</p>	<p>A Tyco International Ltd. Company</p>	ENGINEER'S SEAL ORIGINAL SIGNED BY D. KRUGER 2007/01/31	<p>THE CITY OF WINNIPEG WATER AND WASTE DEPARTMENT ENGINEERING DIVISION</p>								
		B.M. ELEV.	DATE	BY															
<table border="1"> <tr> <td>DESIGNED BY</td> <td>MH</td> <td>CHECKED BY</td> <td>AP</td> </tr> <tr> <td>DRAWN BY</td> <td>CR</td> <td>APPROVED BY</td> <td>AHL</td> </tr> <tr> <td>SCALE:</td> <td>AS NOTED</td> <td>RELEASED FOR CONSTRUCTION BY:</td> <td>R. SOROKOWSKI</td> </tr> <tr> <td>DATE</td> <td>2006/08/14</td> <td>DATE</td> <td>2007/01/31</td> </tr> </table>	DESIGNED BY	MH	CHECKED BY	AP	DRAWN BY	CR	APPROVED BY	AHL	SCALE:	AS NOTED	RELEASED FOR CONSTRUCTION BY:	R. SOROKOWSKI	DATE	2006/08/14	DATE	2007/01/31	CONSULTANT DRAWING NO. WJ-S0202	WATER TREATMENT PLANT SODIUM HYPOCHLORITE BUILDING SODIUM HYPOCHLORITE AND CHEMICAL STORAGE BUILDINGS STRUCTURAL SODIUM HYPOCHLORITE BUILDING SECTION AND DETAILS	CITY FILE NUMBER SHEET OF CITY DRAWING NUMBER 1-0601J-A-S0202-001-01D
DESIGNED BY	MH	CHECKED BY	AP																
DRAWN BY	CR	APPROVED BY	AHL																
SCALE:	AS NOTED	RELEASED FOR CONSTRUCTION BY:	R. SOROKOWSKI																
DATE	2006/08/14	DATE	2007/01/31																