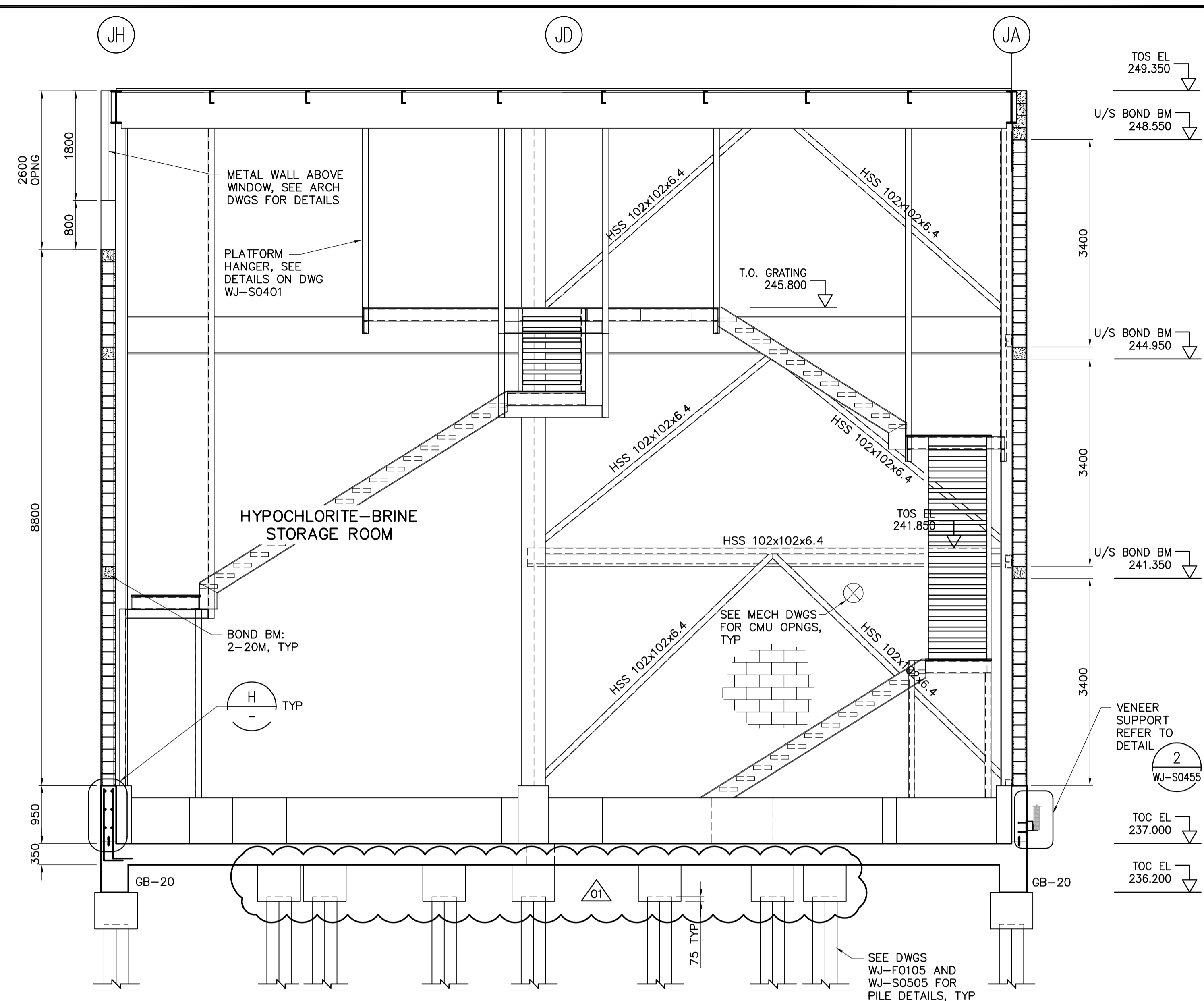
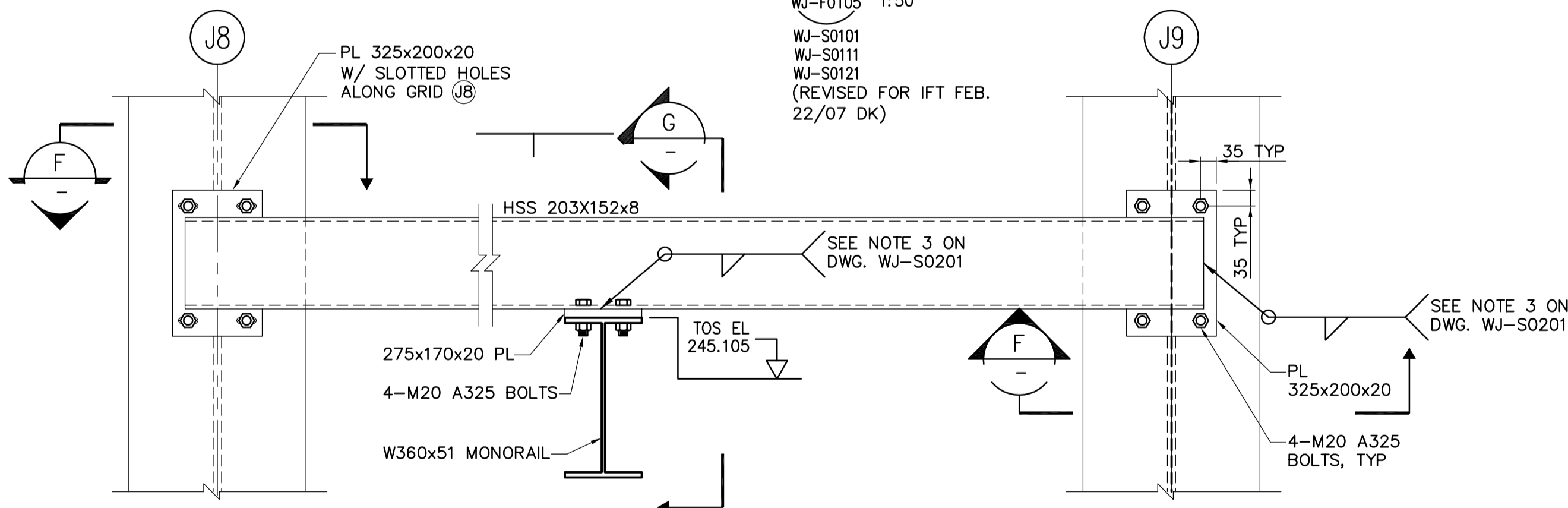


**C SECTION**  
WJ-F0105 1:50  
WJ-S0101  
WJ-S0111  
WJ-S0121  
(REVISED FOR IFT FEB. 22/07 DK)

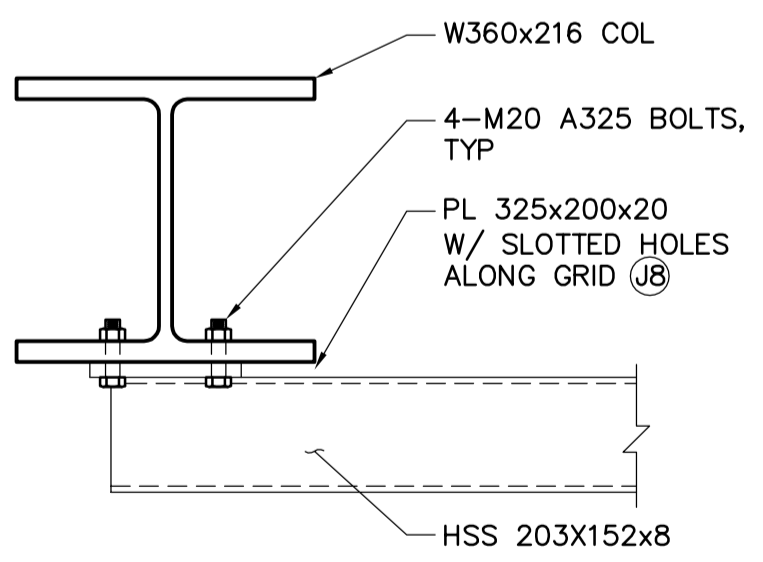


**D SECTION**  
WJ-F0105 1:50  
WJ-S0101  
WJ-S0111  
WJ-S0121  
(REVISED FOR IFT FEB. 22/07 DK)



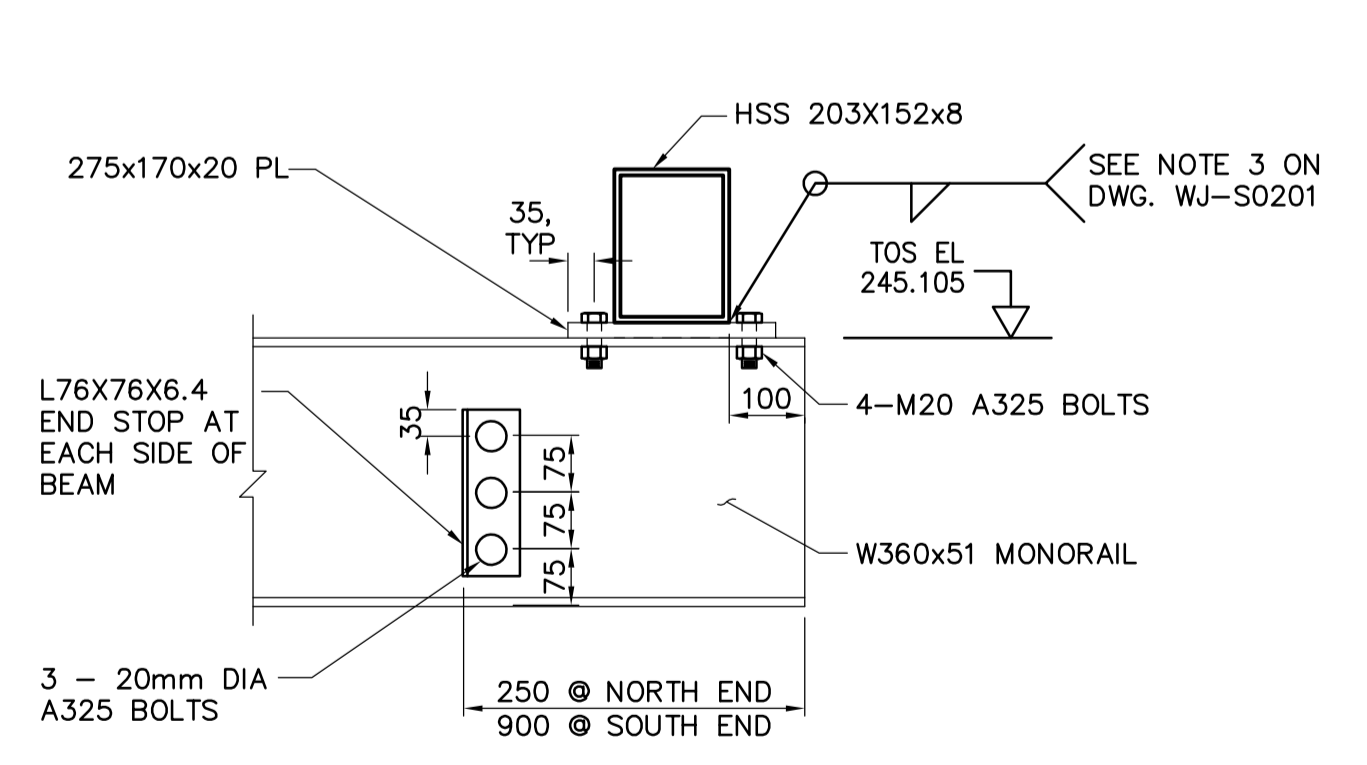
**NOTE:**  
1. CMU WALL NOT SHOWN FOR CLARITY.

**E SECTION**  
WJ-S0121 1:10

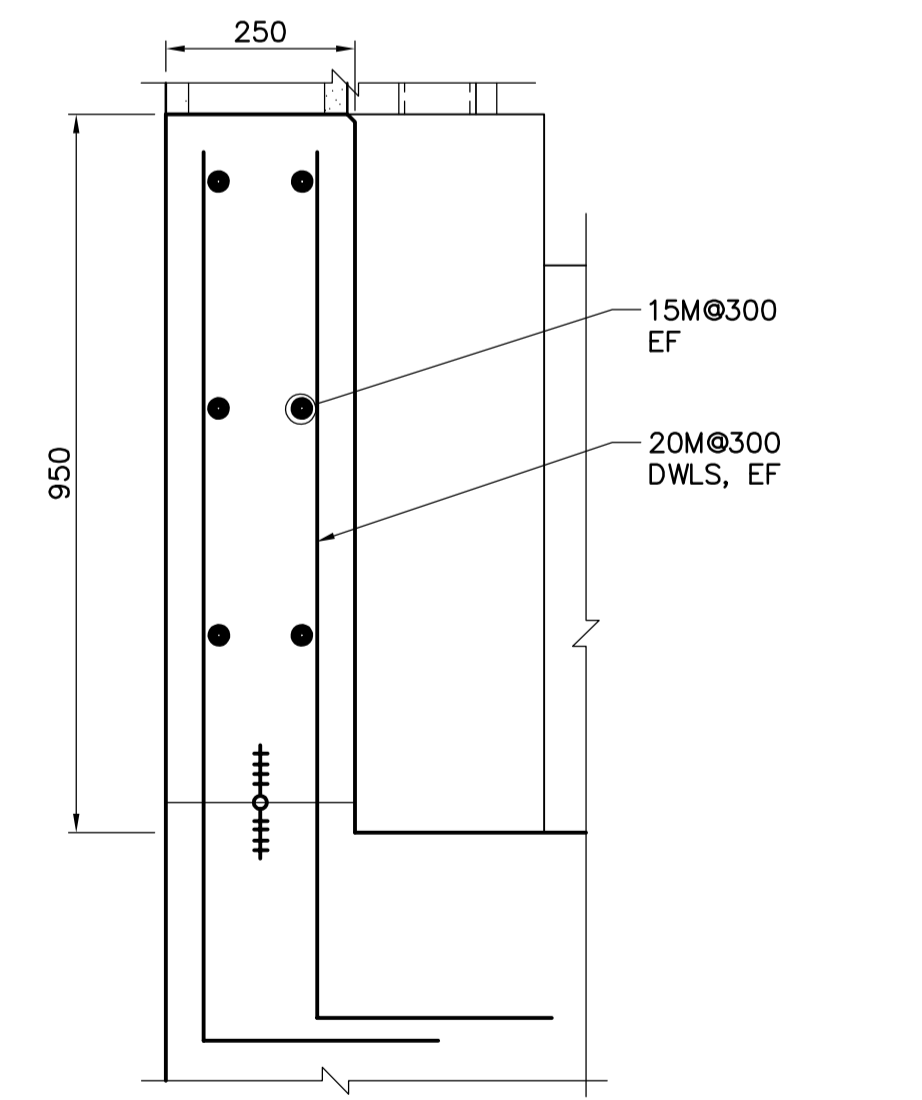


**NOTE:**  
1. CMU WALL NOT SHOWN FOR CLARITY.

**F SECTION**  
1:10



**G SECTION**  
1:10



**H SECTION**  
1:10  
(REVISED FOR IFT FEB. 22/07 DK)

<p>Certificate of Authorization CH2M HILL Canada Ltd. No. 1441 Expiry: April 30, 2007</p>	<p>Frederickson Cooper ARCHITECTS</p>		<p>A Tyco International Ltd. Company</p>		<p>ENGINEER'S SEAL</p> <p>ORIGINAL SIGNED BY D. KRUGER 2007/01/31</p>		<p>THE CITY OF WINNIPEG WATER AND WASTE DEPARTMENT ENGINEERING DIVISION</p>	
	DESIGNED BY	MH	CHECKED BY	AP	WATER TREATMENT PLANT		CITY FILE NUMBER	
	DRAWN BY	CR	APPROVED BY	AHL	SODIUM HYPOCHLORITE BUILDING		SHEET OF	
	SCALE:	AS NOTED	RELEASED FOR CONSTRUCTION BY:	R. SOROKOWSKI	SODIUM HYPOCHLORITE AND CHEMICAL STORAGE BUILDINGS		CITY DRAWING NUMBER	
NO. REVISIONS	DATE	DATE	DATE	2006/08/14	2007/01/31	CONSULTANT DRAWING NO. WJ-S0203		1-0601J-A-S0203-001-010