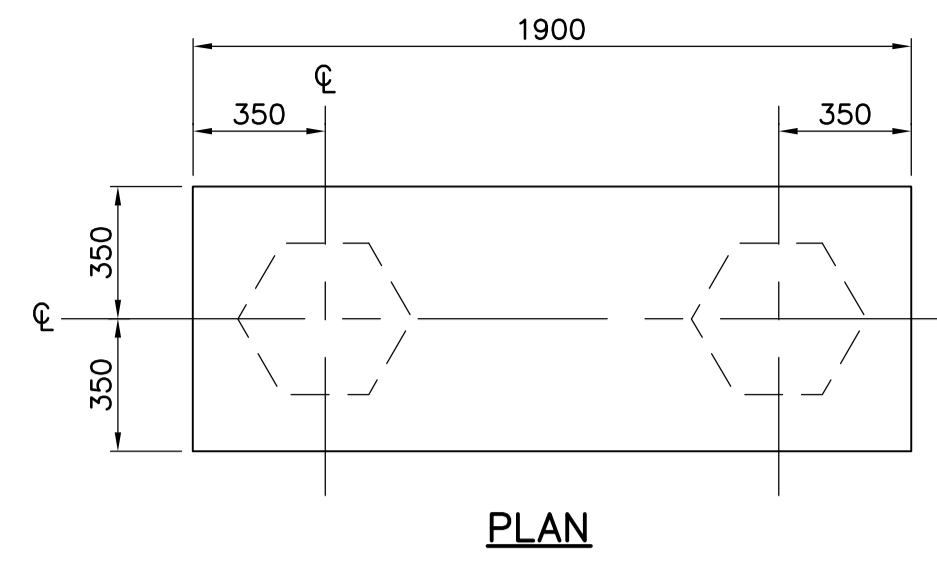
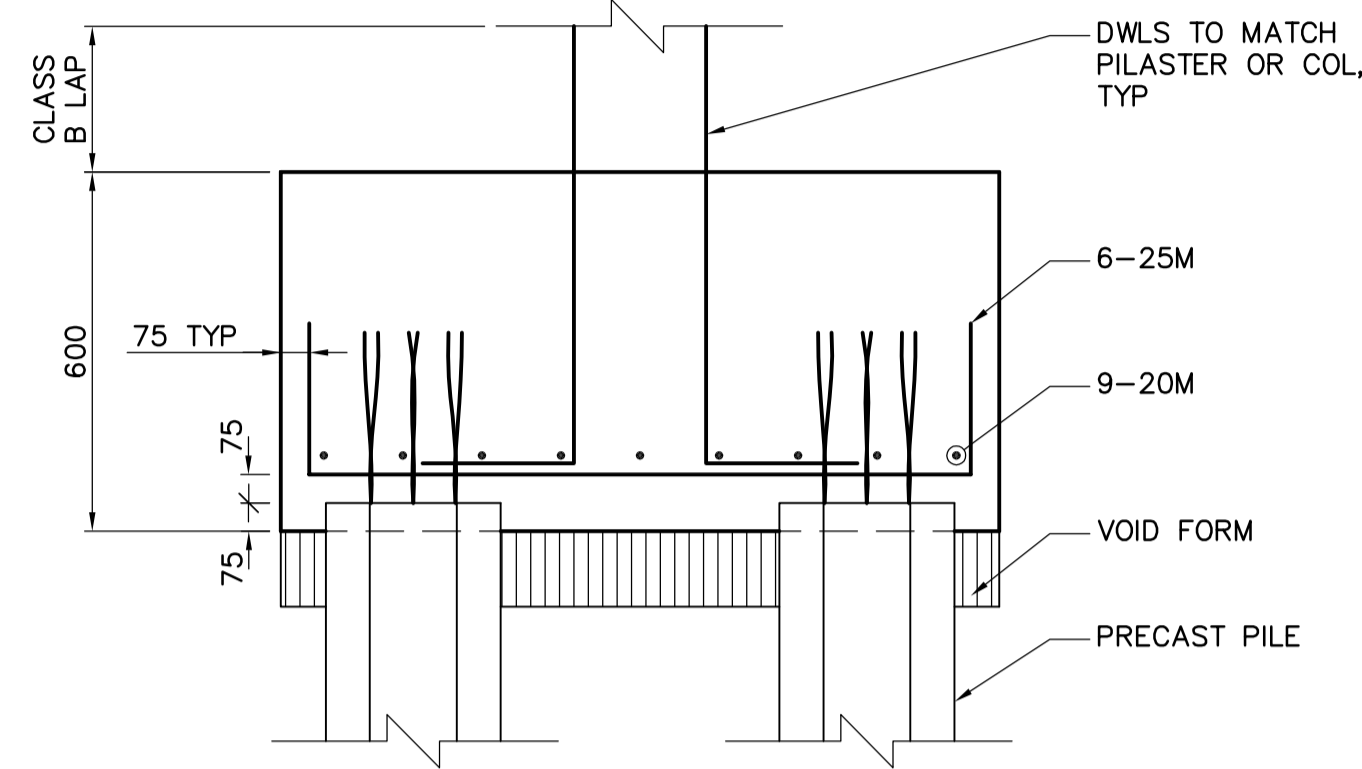


+ X-COORDINATE MEASURED EAST FROM GRID LINE J1  
 + Y-COORDINATE MEASURED NORTH FROM GRID LINE JH

PILE NUMBER	X-COORDINATE	Y-COORDINATE	PILE CUT-OFF ELEVATION	PILE TIP ELEVATION	NOTES
J001	0	14700	235.675		
J002	4325	14700	235.675		
J003	5525	14700	235.675		
J004	8592	14700	235.675		
J005	9792	14700	235.675		
J006	12858	14700	235.675		
J007	14058	14700	235.675		
J008	17725	14700	235.675		
J009	22256	14700	235.675		
J010	26788	14700	235.675		
J011	31319	14700	235.675		
J012	35850	14700	235.675		
J013	17725	10775	236.125		
J014	20835	11636	236.125		
J015	23775	11636	236.125		
J016	27085	11636	236.125		
J017	30025	11636	236.125		
J018	32938	11636	236.125		
J019	35850	11025	235.675		
J020	0	10775	235.675		
J021	4925	10775	236.125		
J022	8125	10775	236.875		
J023	11325	10775	236.875		
J024	14525	10775	236.875		
J025	20835	8925	236.125		
J026	23775	8925	236.125		
J027	27085	8925	236.125		
J028	30025	8925	236.125		
J029	32938	8925	236.125		
J030	35850	7350	235.675		
J031	0	6970	235.675		
J032	4925	6970	236.125		
J033	9192	6850	236.125		
J034	13458	6850	236.125		
J035	17725	6850	236.125		
J036	20835	5386	236.125		
J037	23775	5386	236.125		
J038	27085	5386	236.125		
J039	30025	5386	236.125		
J040	32938	5386	236.125		
J041	10508	4711	236.125		
J042	7957	3425	236.125		
J043	10508	1952	236.125		
J044	15808	4711	236.125		
J045	13256	3425	236.125		
J046	15808	1952	236.125		
J047	18321	3425	236.125		
J048	20835	2674	236.125		
J049	23775	2674	236.125		
J050	27085	2674	236.125		
J051	30025	2674	236.125		
J052	32938	2674	235.825		
J053	35850	3675	235.675		
J054	0	3425	235.675		
J055	3138	3425	236.875		
J056	6275	3425	236.125		
J057	0	0	235.875		
J058	4925	0	235.675		
J059	9192	0	235.675		
J060	13459	0	235.675		
J061	17725	0	235.675		
J062	22256	0	235.675		
J063	26788	0	235.675		
J064	31319	0	235.675		
J065	35850	0	235.675		

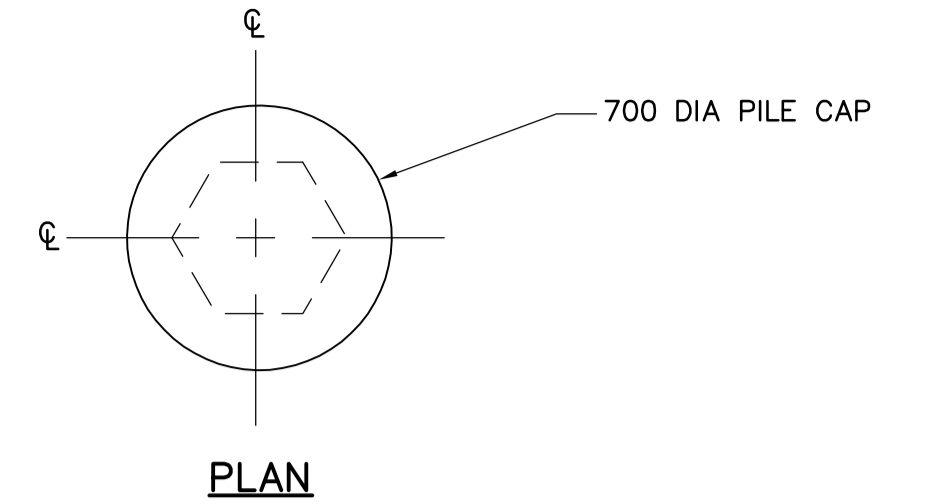


PLAN

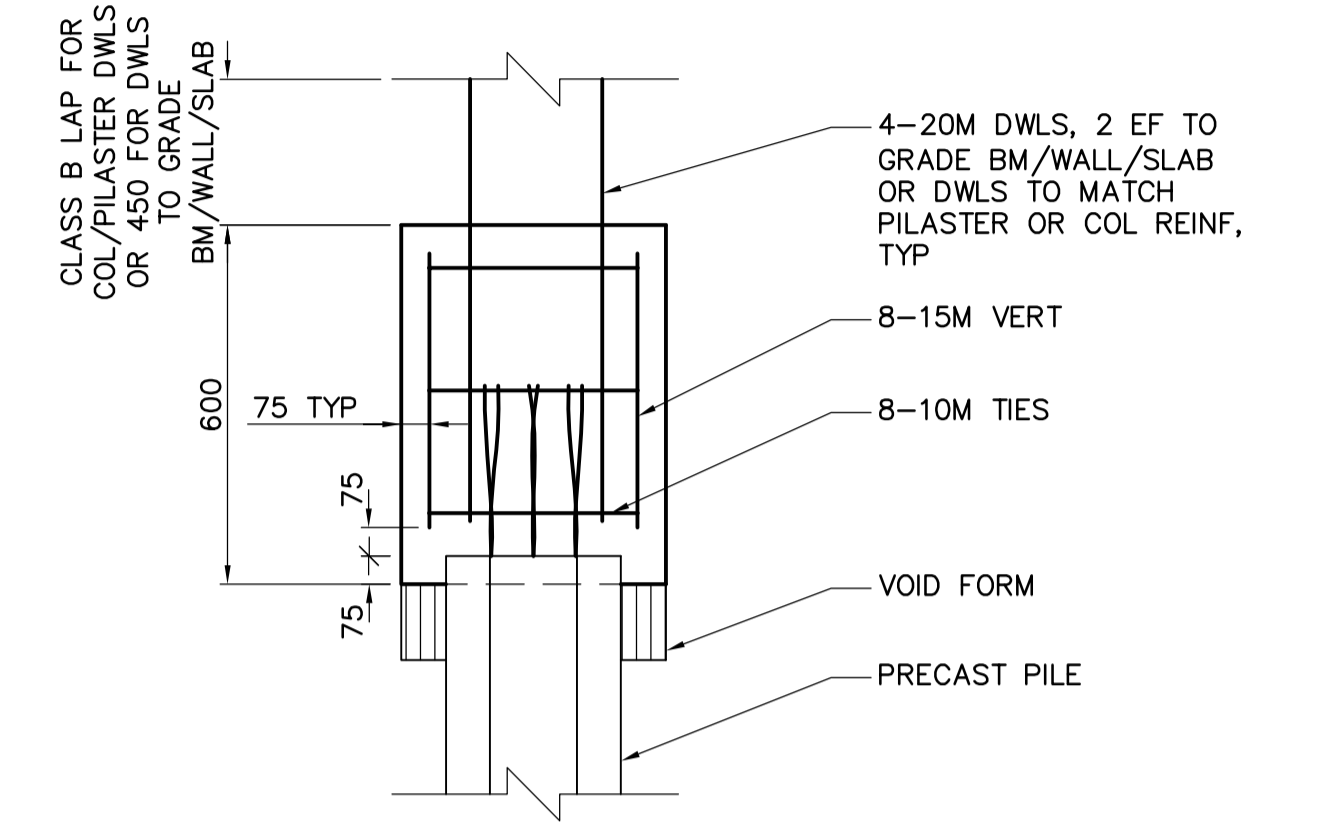


ELEVATION

TYPICAL PILE CAP (1900x700)



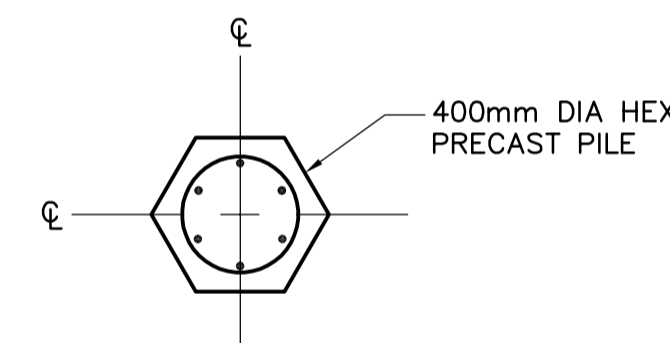
PLAN



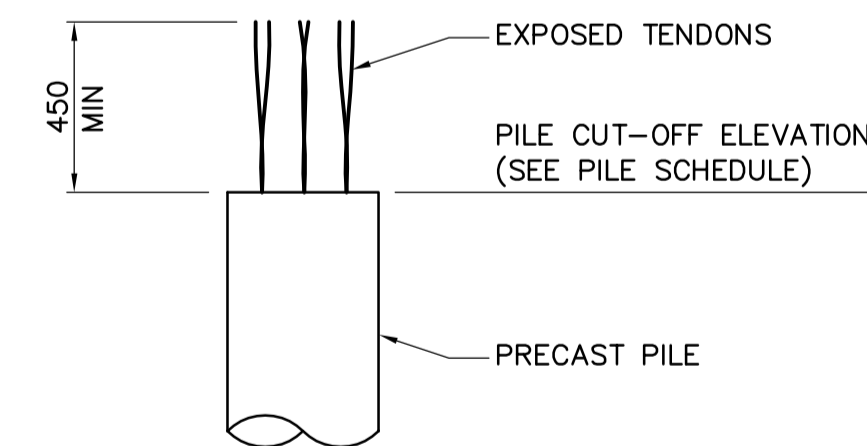
ELEVATION

TYPICAL PILE CAP (700 DIA)

1 PILING CAP DETAILS  
1:20

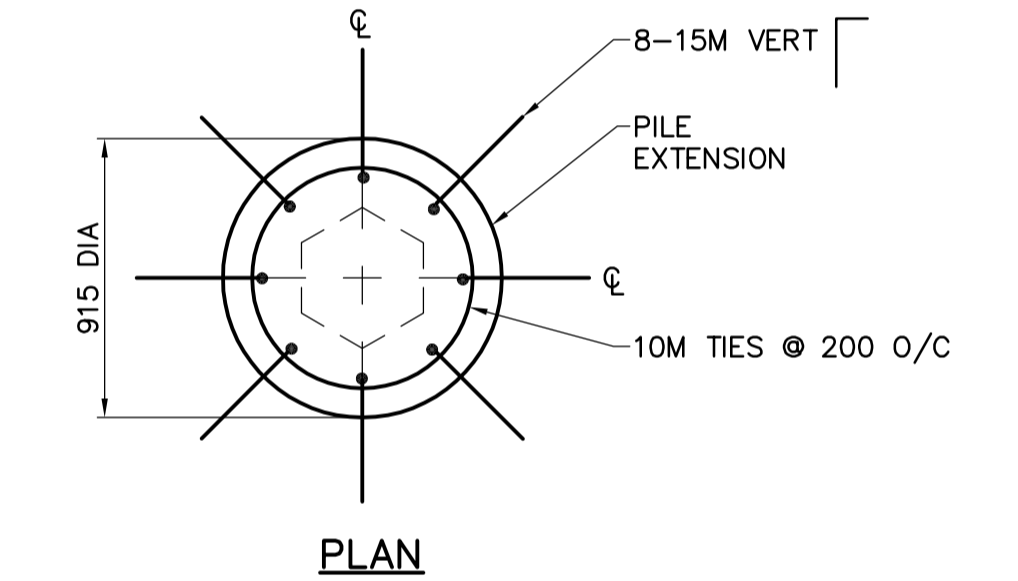


PLAN

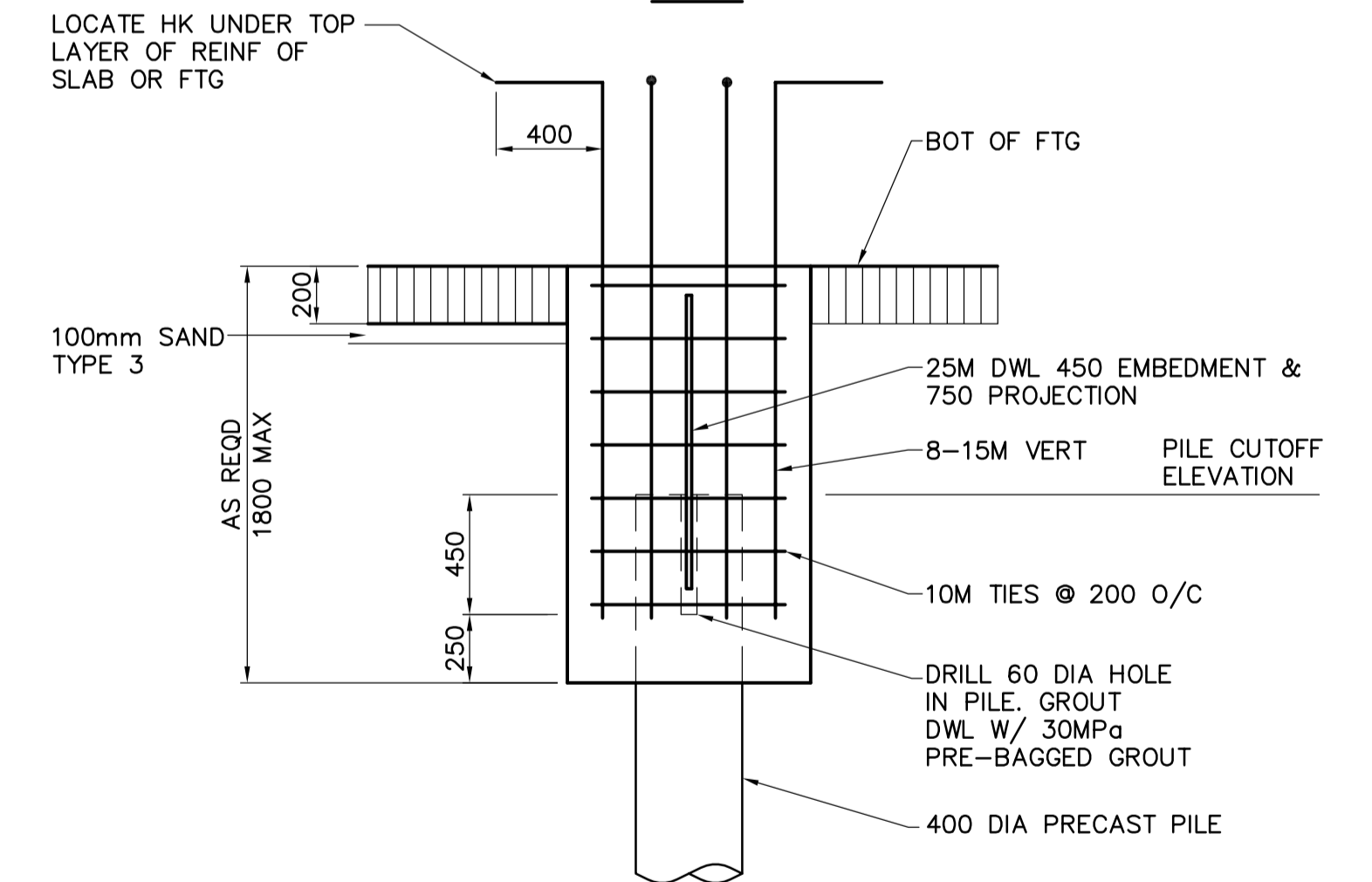


ELEVATION

TYP PILE CUT-OFF



PLAN



ELEVATION

TYP CAST IN PLACE PILE EXTENSION

2 PILING DETAILS  
N.T.S.

<p>Certificate of Authorization                  CH2M HILL Canada Ltd.                  No. 1441 Expiry: April 30, 2007</p>	B.M. ELEV.	<p>Frederickson Cooper                  ARCHITECTS</p>	<p>A Tyco International Ltd. Company</p>	ENGINEER'S SEAL	<p>THE CITY OF WINNIPEG                  WATER AND WASTE DEPARTMENT                  ENGINEERING DIVISION</p>			
				DESIGNED BY MH		CHECKED BY AP	ORIGINAL SIGNED BY D. KRUGER	
				DRAWN BY CR		APPROVED BY AHL	2007/01/31	
				SCALE: AS NOTED		RELEASED FOR CONSTRUCTION BY: R. SOROKOWSKI	CONSULTANT DRAWING NO. WJ-S0505	
	NO. REVISIONS	DATE	DATE	2006/08/18	DATE	2007/01/31	WATER TREATMENT PLANT SODIUM HYPOCHLORITE BUILDING SODIUM HYPOCHLORITE AND CHEMICAL STORAGE BUILDINGS STRUCTURAL SODIUM HYPOCHLORITE BUILDING PILING SCHEDULE AND DETAILS	CITY FILE NUMBER SHEET OF CITY DRAWING NUMBER 1-0601J-D-S0505-001-01D