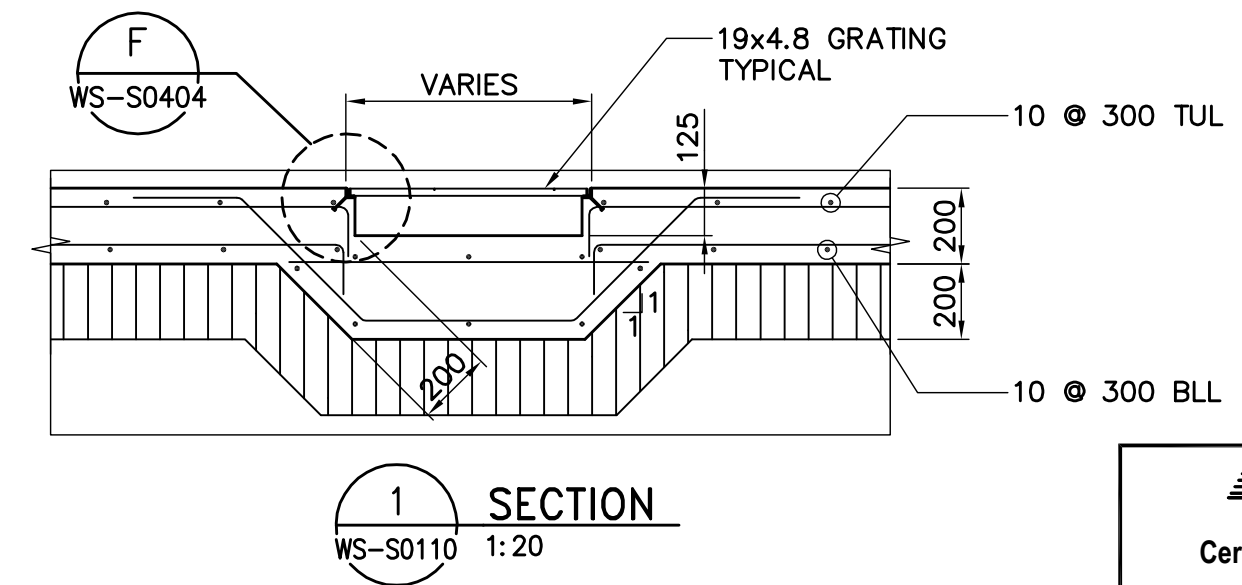


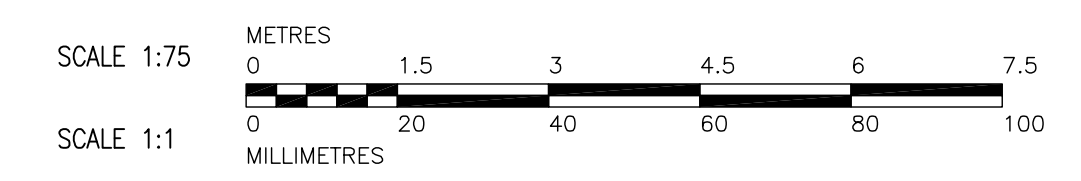
MAIN FLOOR FRAMING PLAN
1:75

DESIGN LOADS:

- DEAD LOADS:
 - 1.) STRUCTURE SELF WEIGHT
 - 2.) ROOFING = 0.40 kPa
 - 3.) MECHANICAL LOAD = 1.20 kPa
 - 4.) EQUIPMENT LOAD = AS SHOWN
- LIVE LOADS
 - 1.) GROUND SNOW LOAD - $S_s = 1.70$ kPa, $S_r = 0.20$ kPa
MODIFY FOR EXPOSURE & DRIFT AS PER NBC 1995.
 - 2.) WIND = q (1/100) PER NBC



- DRAWING NOTES:**
- REFER TO DRAWING WS-S0421 TO WS-S0423 FOR STAIR DETAILS.
 - FOR CONCRETE BEAM SIZES AND DIMENSIONS SEE DWG. WS-S0100.
 - FOR EQUIPMENT LOCATION REFER TO MECHANICAL DWGS.
 - ALL BASEPLATES ARE SC-3 UNLESS OTHERWISE NOTED.



B.M. ELEV.	CH2M HILL Frederickson Cooper ARCHITECTS		EarthTech A Tyco International Ltd. Company		ENGINEER'S SEAL ORIGINAL SIGNED BY A. POCHANART 2007/01/31
DESIGNED BY ARA	CHECKED BY AP	DRAWN BY WDB	APPROVED BY AHL	RELEASED FOR CONSTRUCTION BY: R. SOROKOWSKI	CONSULTANT DRAWING NO. WS-S0110
02 792-2006 ADDENDUM 3 07/03/30 WDB	01 792-2006 ADDENDUM 2 07/03/22 WDB	00 ISSUED FOR TENDER 07/01/31 CMF	SCALE: AS NOTED	DATE 2006/08/31	DATE 2007/01/31

THE CITY OF WINNIPEG
WATER AND WASTE DEPARTMENT
ENGINEERING DIVISION

WATER TREATMENT PLANT
BULK CHEMICAL BUILDING
SODIUM HYPOCHLORITE AND CHEMICAL STORAGE BUILDING

STRUCTURAL
MAIN FLOOR FRAMING PLAN

CITY FILE NUMBER
SHEET OF
CITY DRAWING NUMBER
1-06018-A-S010-001-02D