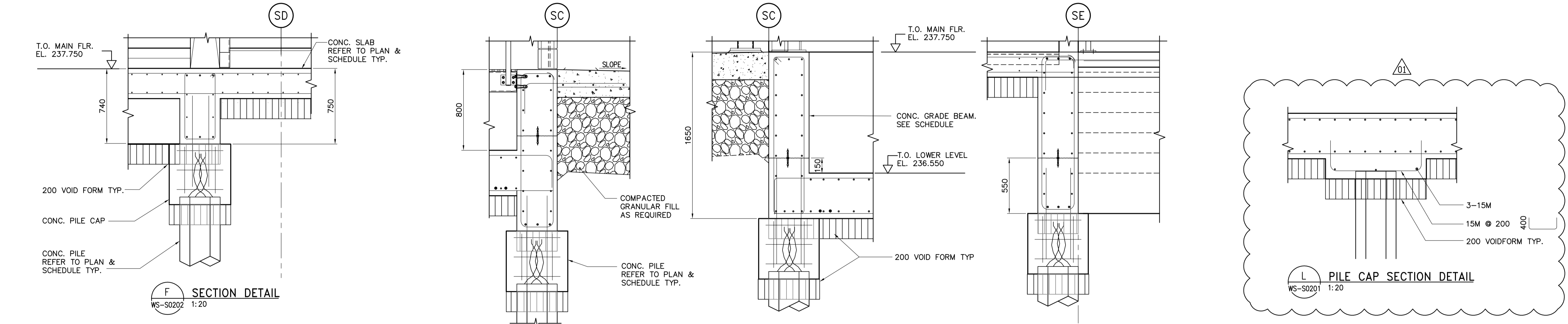
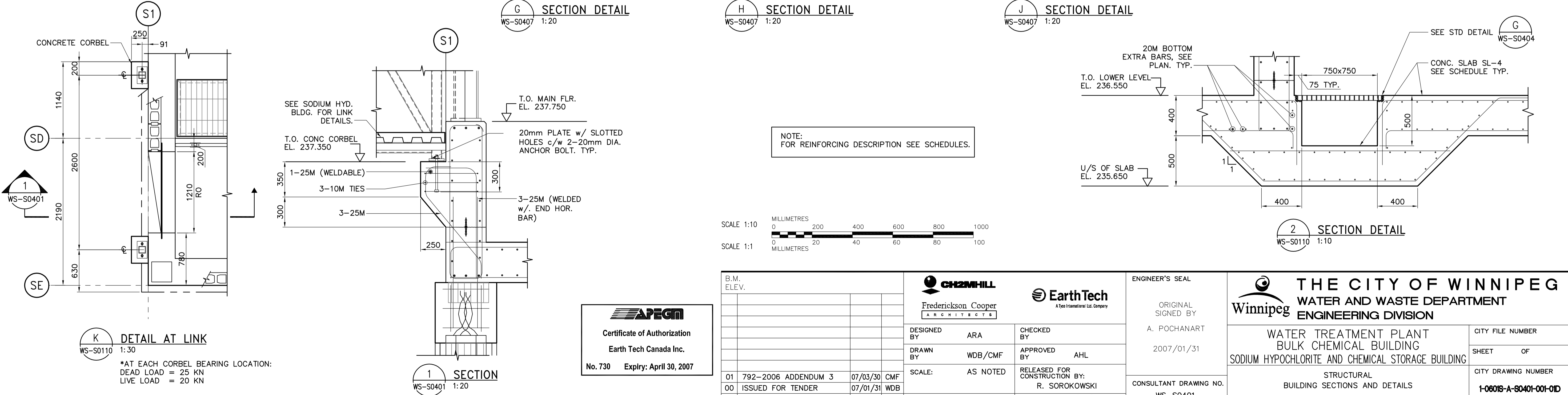


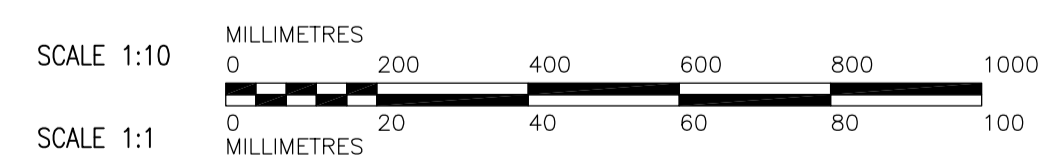
A SECTION DETAIL WS-S0408 1:20
B SECTION DETAIL WS-S0409 1:20
C SECTION DETAIL WS-S0409 1:20
D SECTION DETAIL WS-S0409 1:20
E SECTION DETAIL WS-S0409 1:20



F SECTION DETAIL WS-S0202 1:20
G SECTION DETAIL WS-S0407 1:20
H SECTION DETAIL WS-S0407 1:20
J SECTION DETAIL WS-S0407 1:20
L PILE CAP SECTION DETAIL WS-S0201 1:20



K DETAIL AT LINK WS-S0110 1:30
1 SECTION WS-S0401 1:20



B.M. ELEV.	CH2M HILL Frederickson Cooper ARCHITECTS	EarthTech A Tyco International Ltd. Company	ENGINEER'S SEAL ORIGINAL SIGNED BY A. POCHANART 2007/01/31	THE CITY OF WINNIPEG WATER AND WASTE DEPARTMENT ENGINEERING DIVISION			
DESIGNED BY ARA	CHECKED BY AHL	RELEASED FOR CONSTRUCTION BY: R. SOROKOWSKI	CITY FILE NUMBER	WATER TREATMENT PLANT BULK CHEMICAL BUILDING SODIUM HYPOCHLORITE AND CHEMICAL STORAGE BUILDING			
DRAWN BY WDB/CMF	APPROVED BY AHL	CONSULTANT DRAWING NO. WS-S0401	SHEET OF				
NO. REVISIONS	DATE	DATE	2006/10/04	DATE	2007/01/31	STRUCTURAL BUILDING SECTIONS AND DETAILS	CITY DRAWING NUMBER 1-06018-A-S0401-001-0D