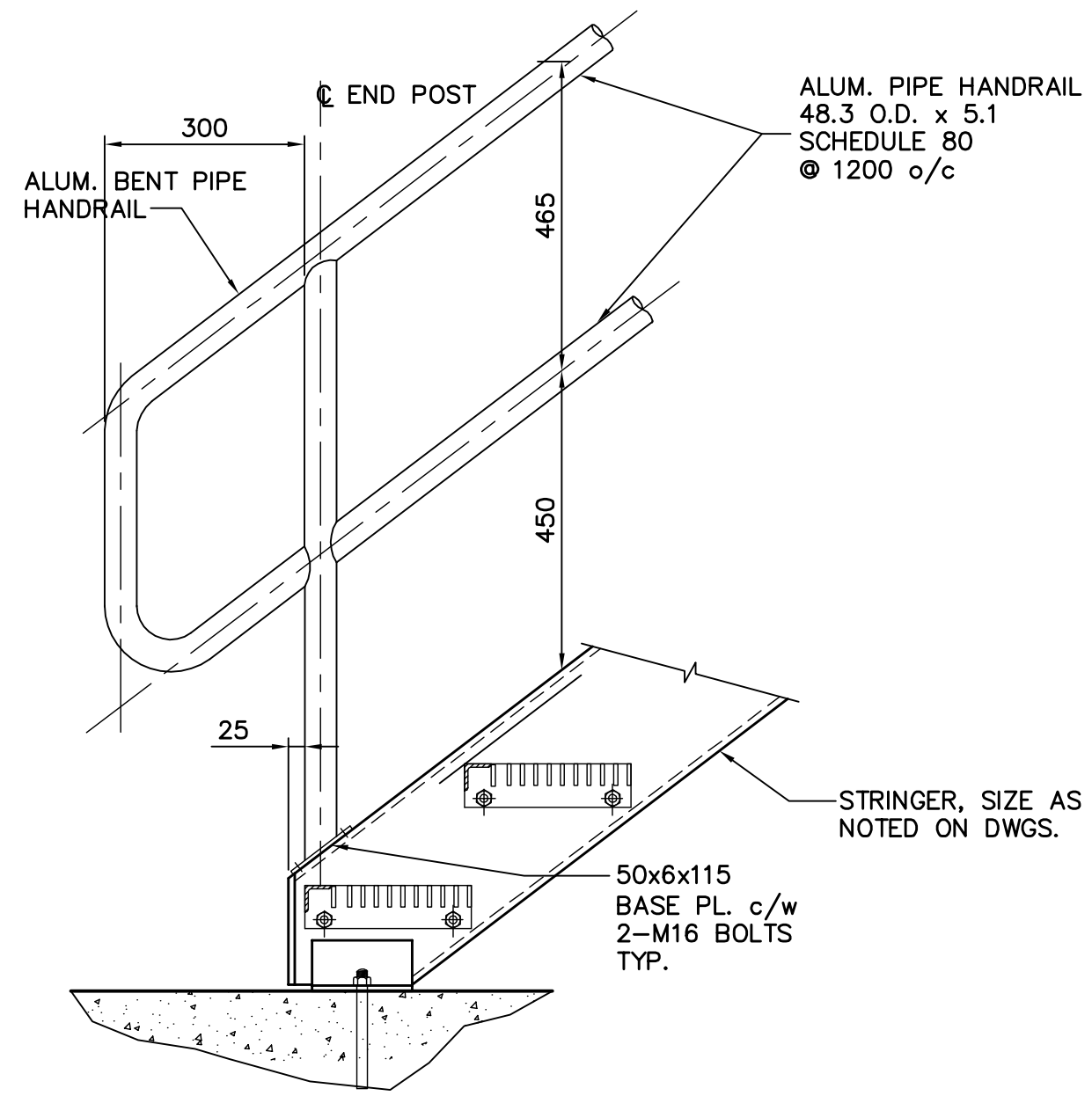
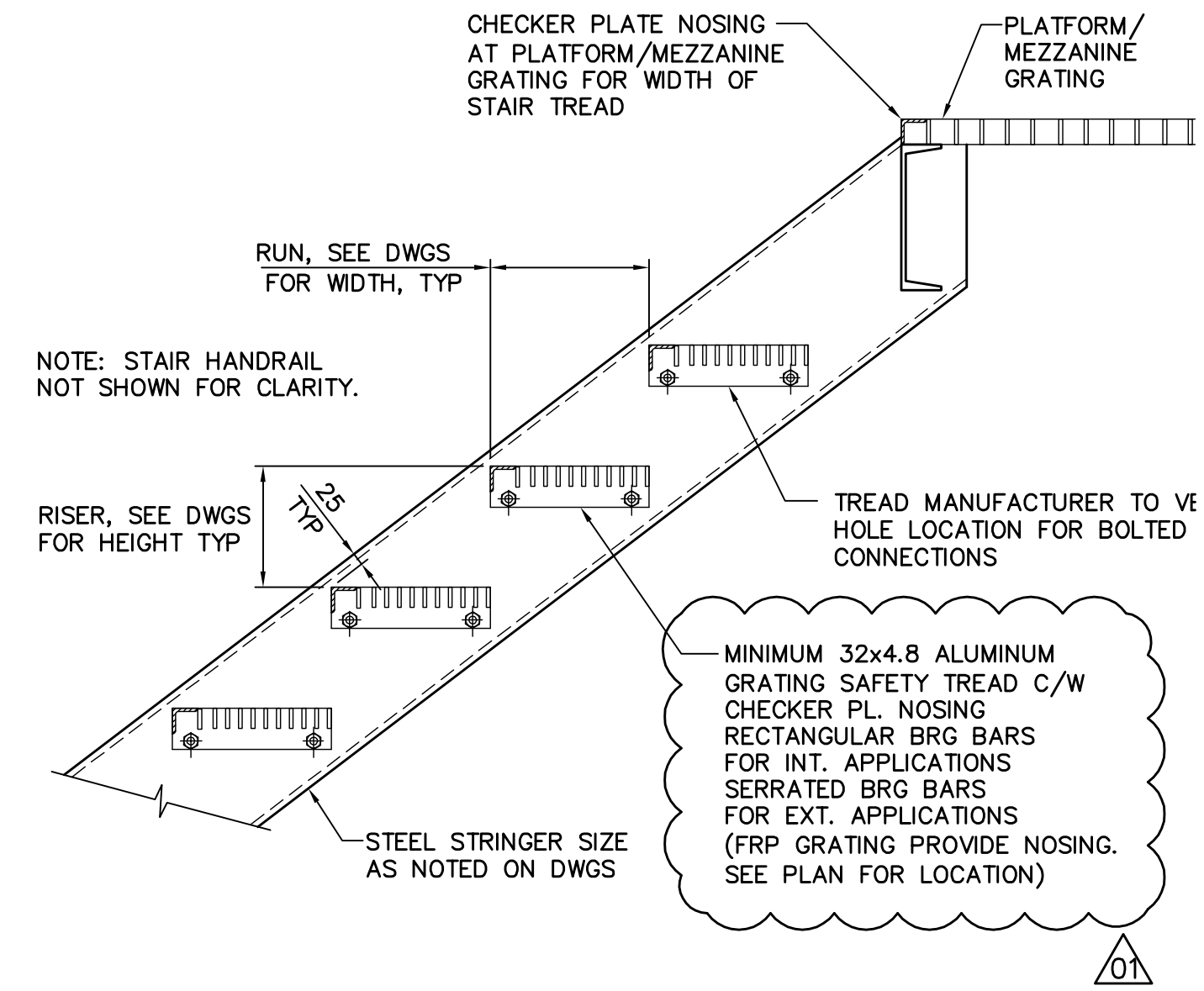


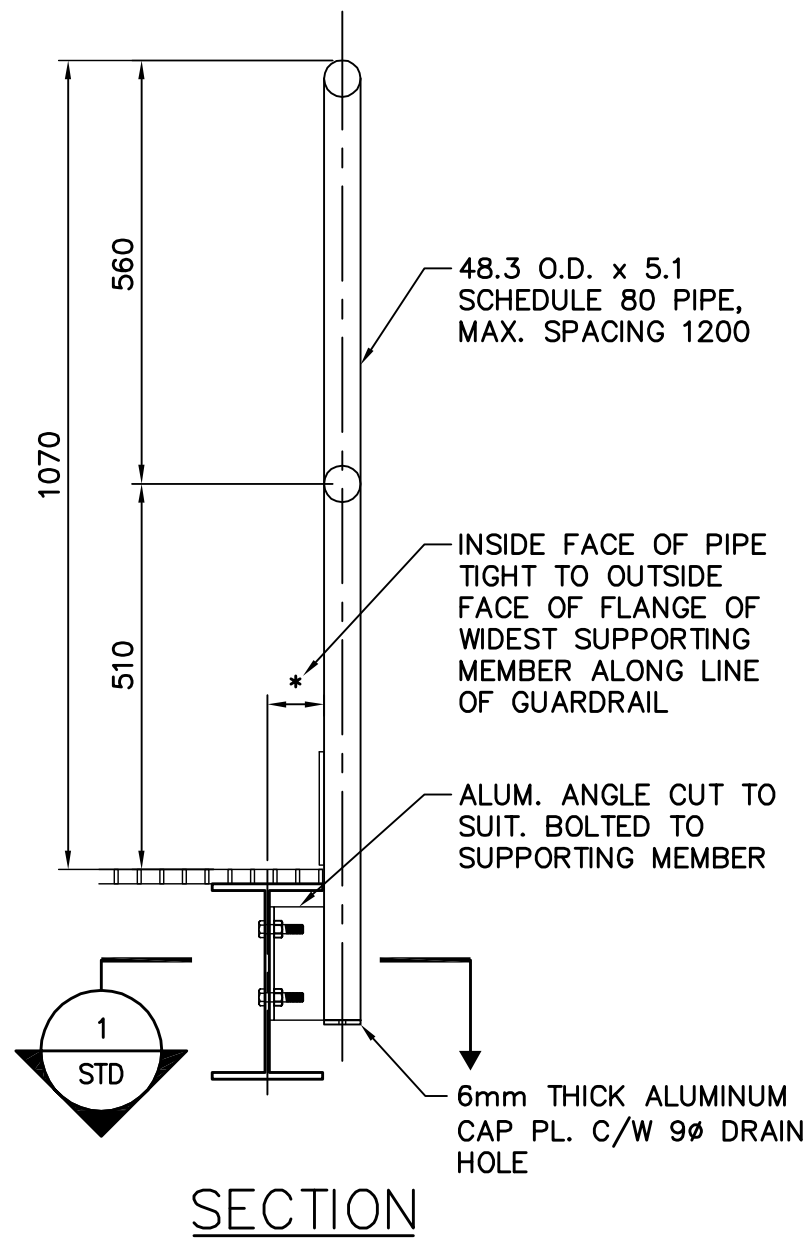
**A** TYPICAL TRANSITION DETAIL  
STD 1:10



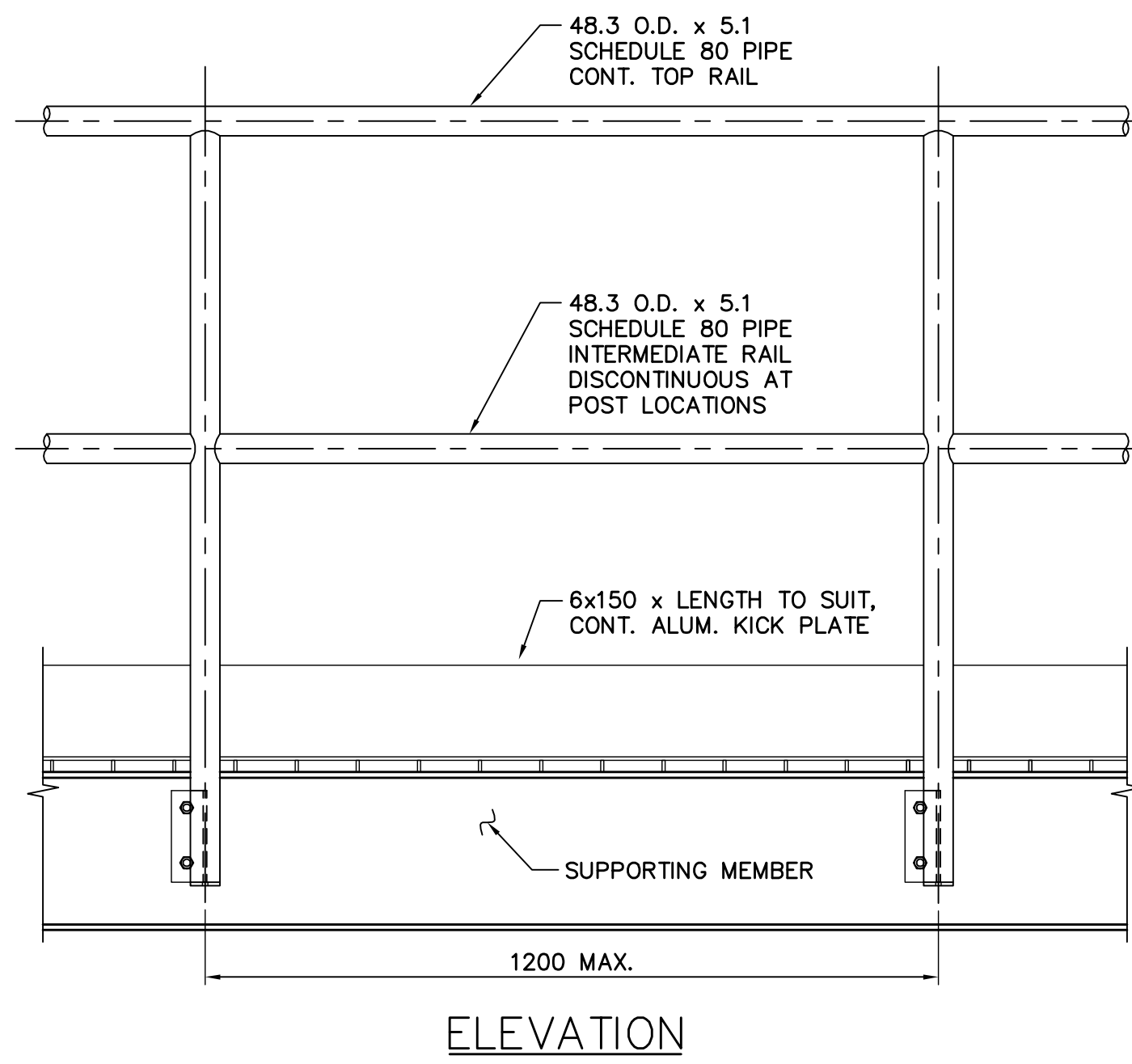
**B** TYPICAL STAIR BASE PLATE & RAILING END DETAIL  
STD 1:20



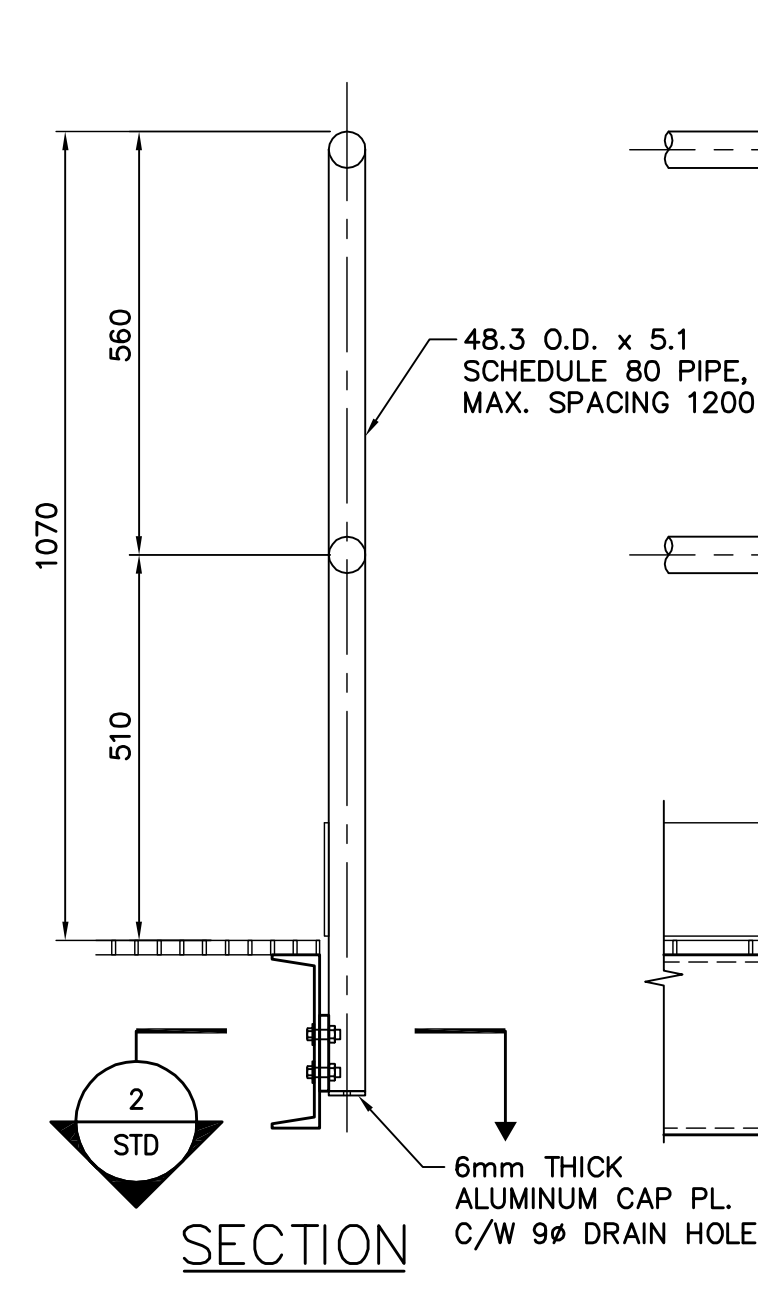
**C** TYPICAL GRATING STAIR DETAIL  
STD 1:20



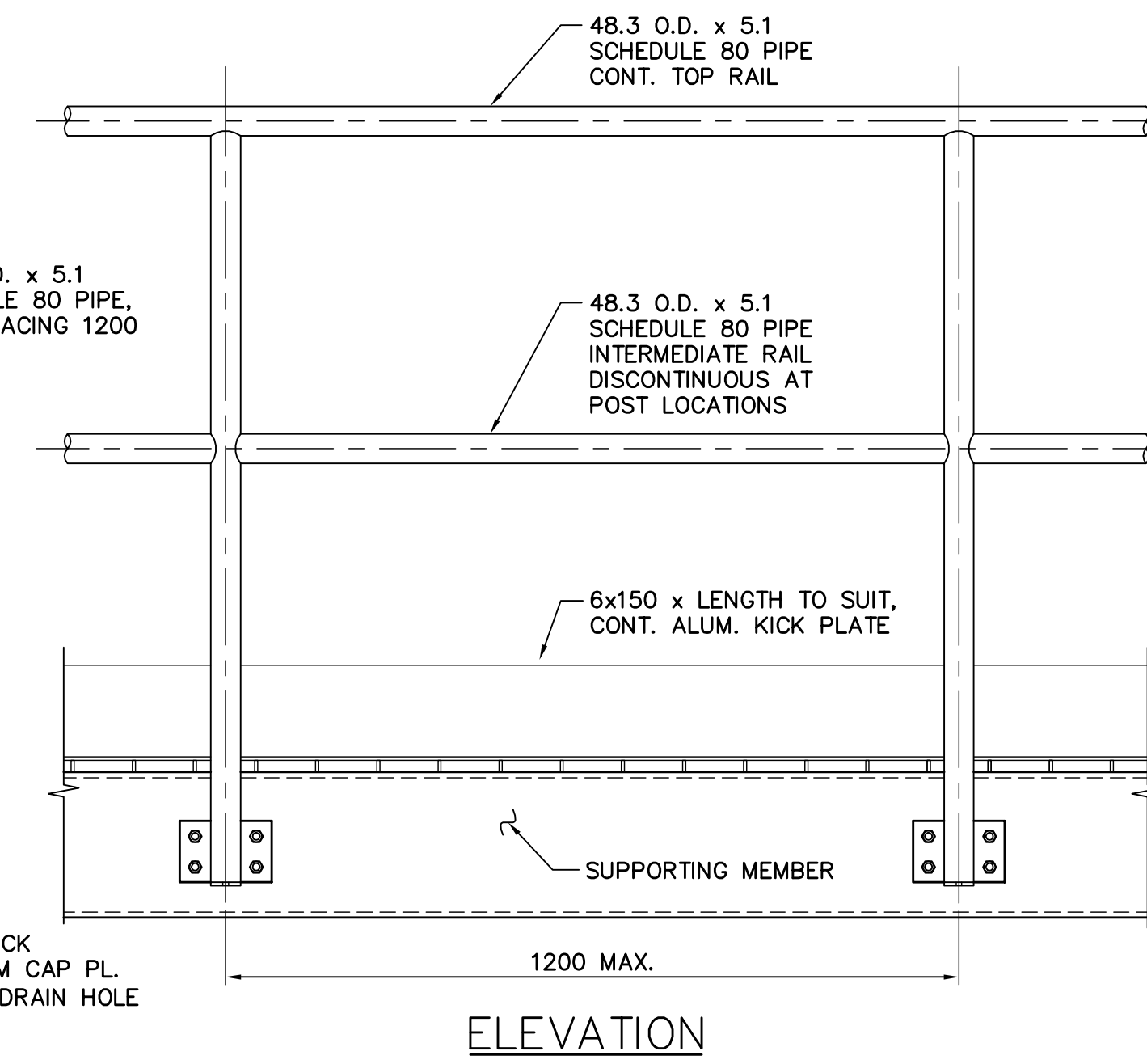
**SECTION**  
1 STD 1:5



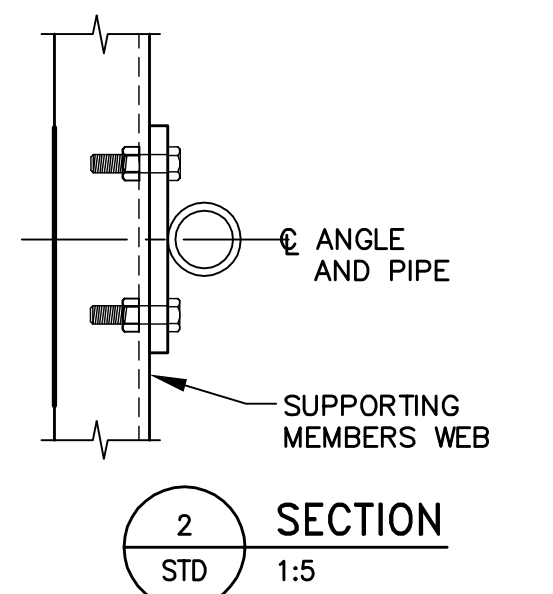
**ELEVATION**



**SECTION**  
2 STD 1:5

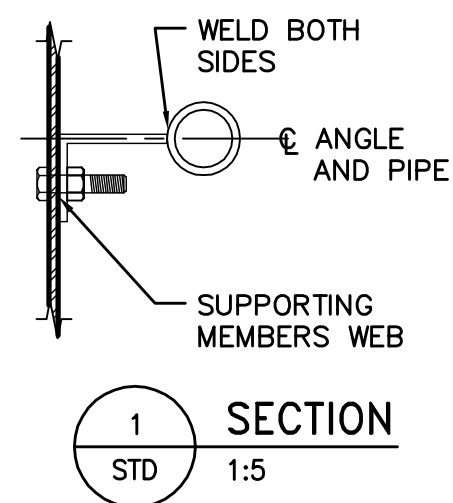


**ELEVATION**



**SECTION**  
2 STD 1:5

**D** TYPICAL GUARDRAIL/HANDRAIL DETAILS  
STD 1:10



**SECTION**  
1 STD 1:5

- NOTES:
1. PAINT ALL ALUMINUM SURFACES IN CONTACT WITH CONCRETE WITH TWO COATS OF ALKALI-RESISTANT BITUMINOUS PAINT.
  2. ALL GRATING TO BE GALVANIZED STEEL.
  3. ALL STRINGERS, CHANNELS, ANGLES, PLATES AND RAILING TO BE ALUMINUM UNLESS NOTED OTHERWISE.

**APEGM**  
Certificate of Authorization  
Earth Tech Canada Inc.  
No. 730 Expiry: April 30, 2007

B.M. ELEV.	<b>CH2M HILL</b> Frederickson Cooper ARCHITECTS	<b>EarthTech</b> A Tyco International Ltd. Company	ENGINEER'S SEAL ORIGINAL SIGNED BY A. POCHANART 2007/01/31	<b>THE CITY OF WINNIPEG</b> WATER AND WASTE DEPARTMENT ENGINEERING DIVISION
	DESIGNED BY: ARA	CHECKED BY: AP	CONSULTANT DRAWING NO. WS-S0405	CITY FILE NUMBER
	DRAWN BY: CMF	APPROVED BY: AHL		SHEET OF
01 792-2006 ADDENDUM 2 07/03/22 WDB	SCALE: AS NOTED	RELEASED FOR CONSTRUCTION BY: R. SOROKOWSKI		CITY DRAWING NUMBER
00 ISSUED FOR TENDER 07/01/31 WDB	DATE 2006/08/30	DATE 2007/01/31		<b>1-06018-A-80405-001-00D</b>