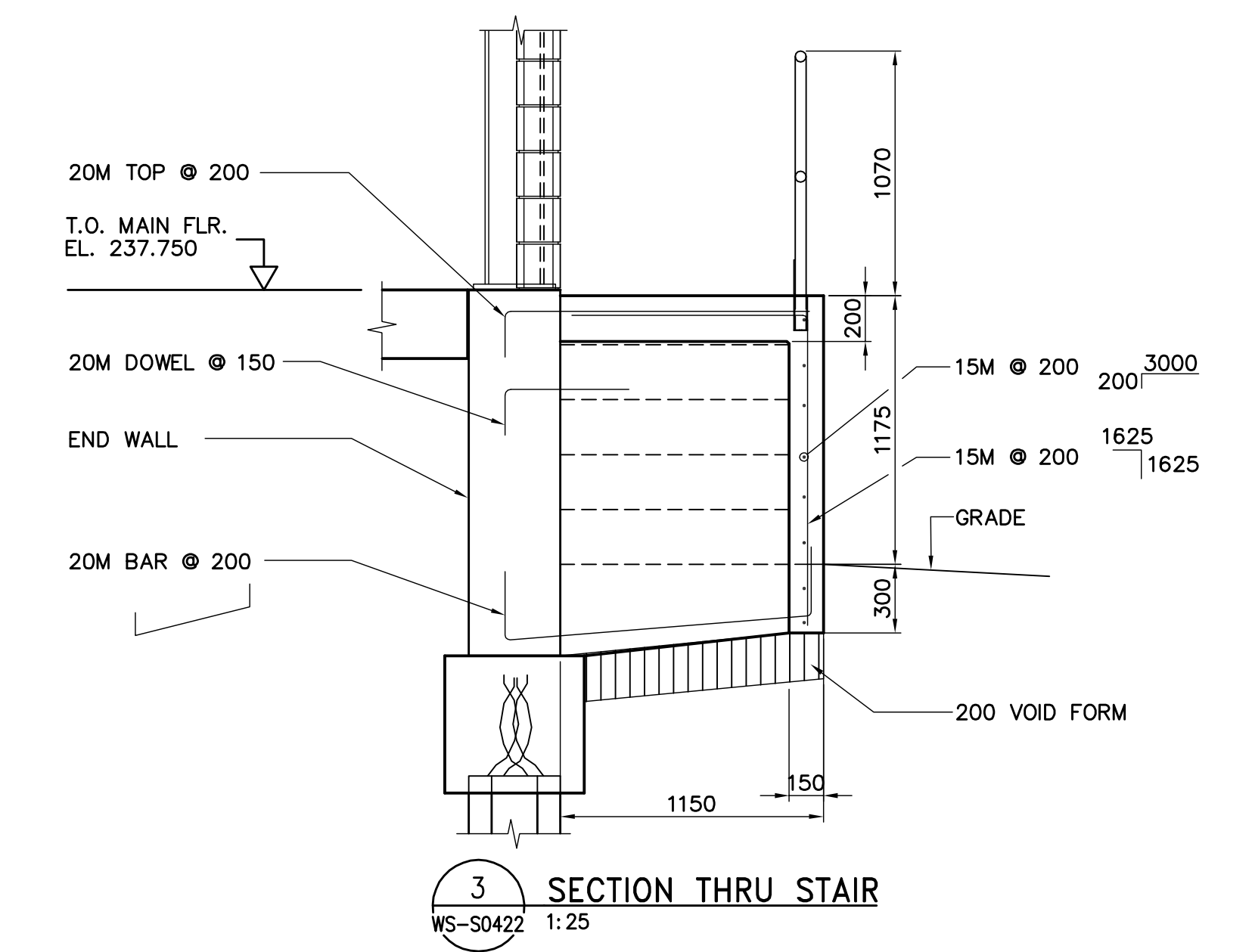
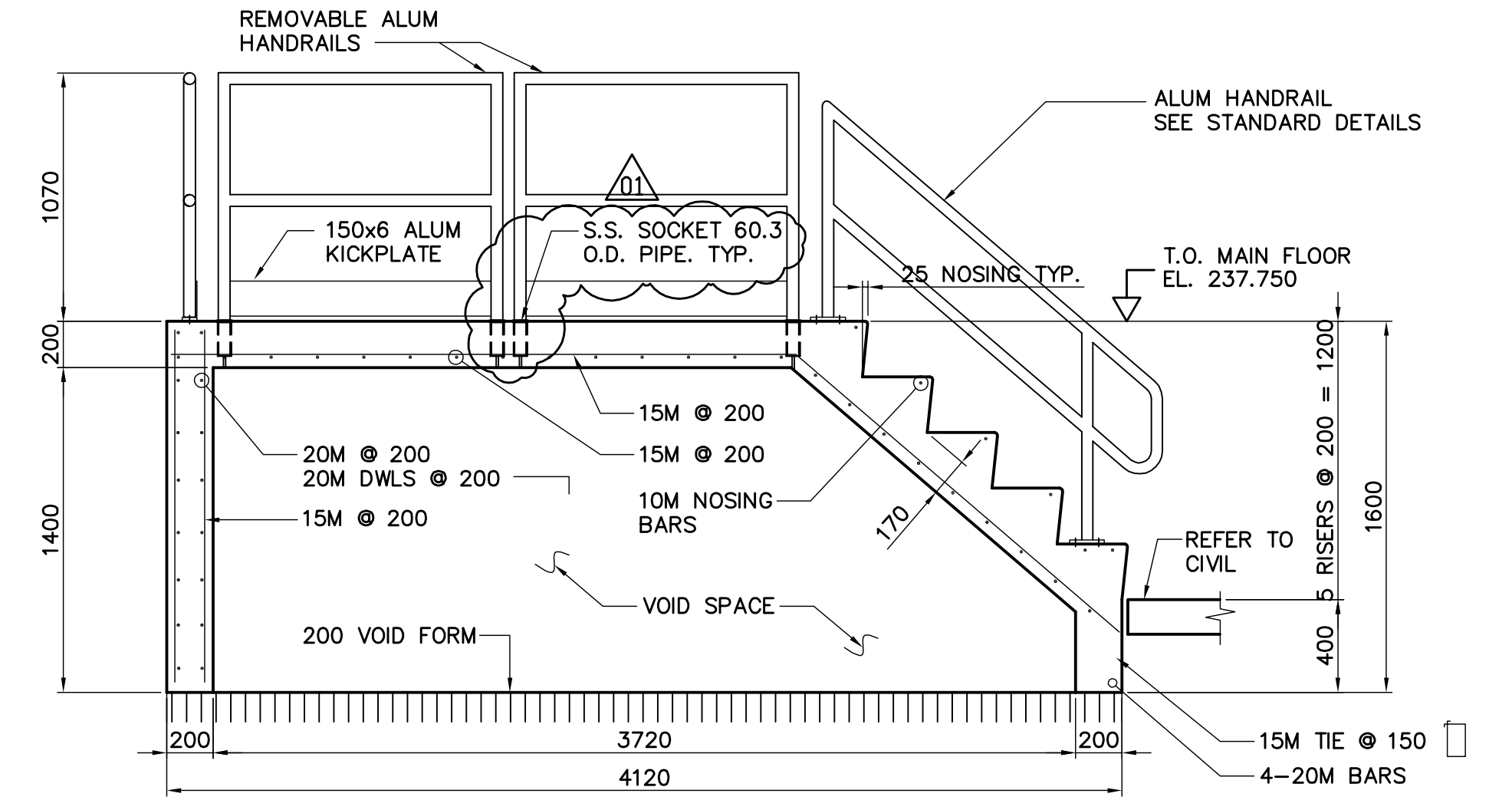
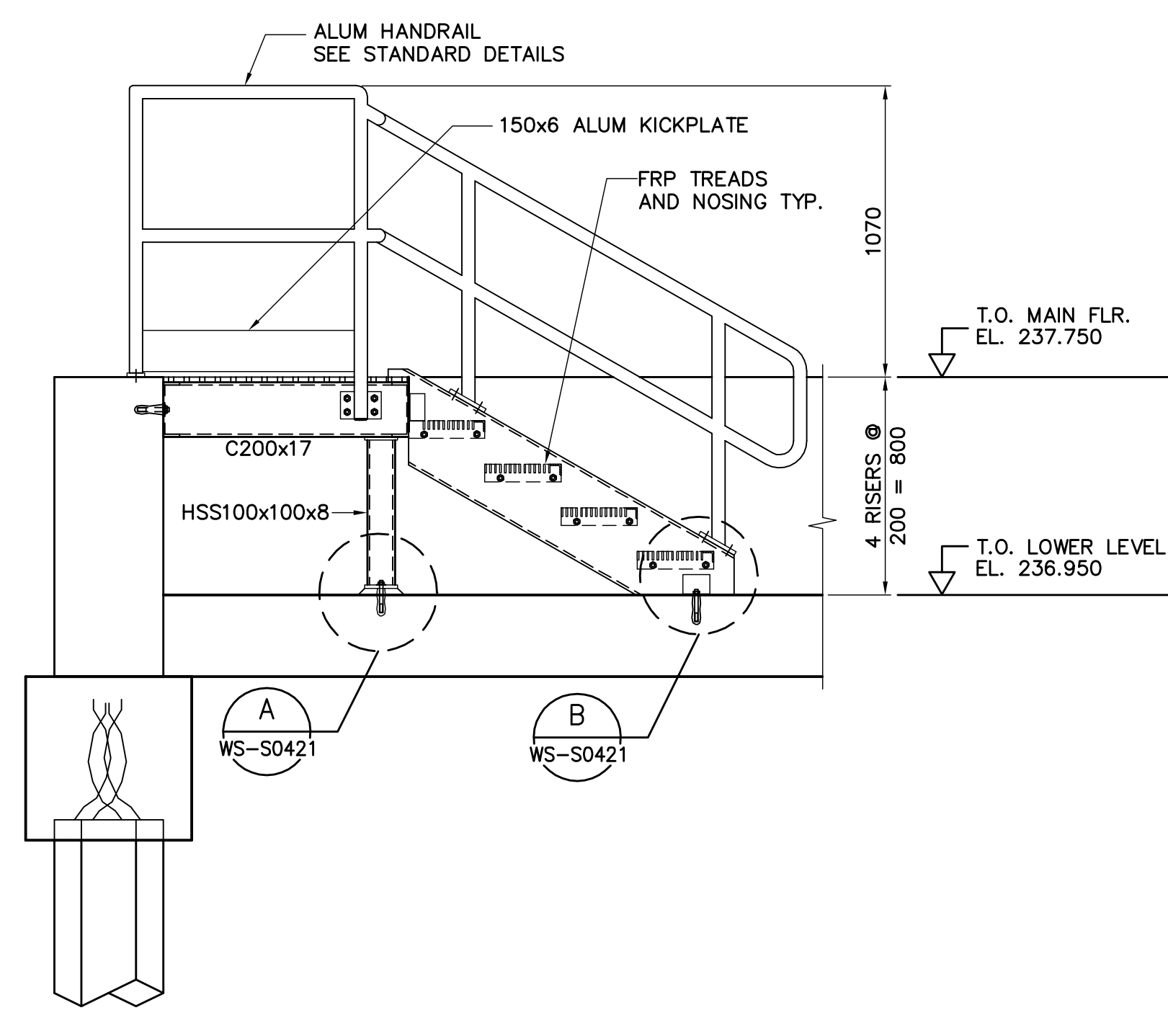
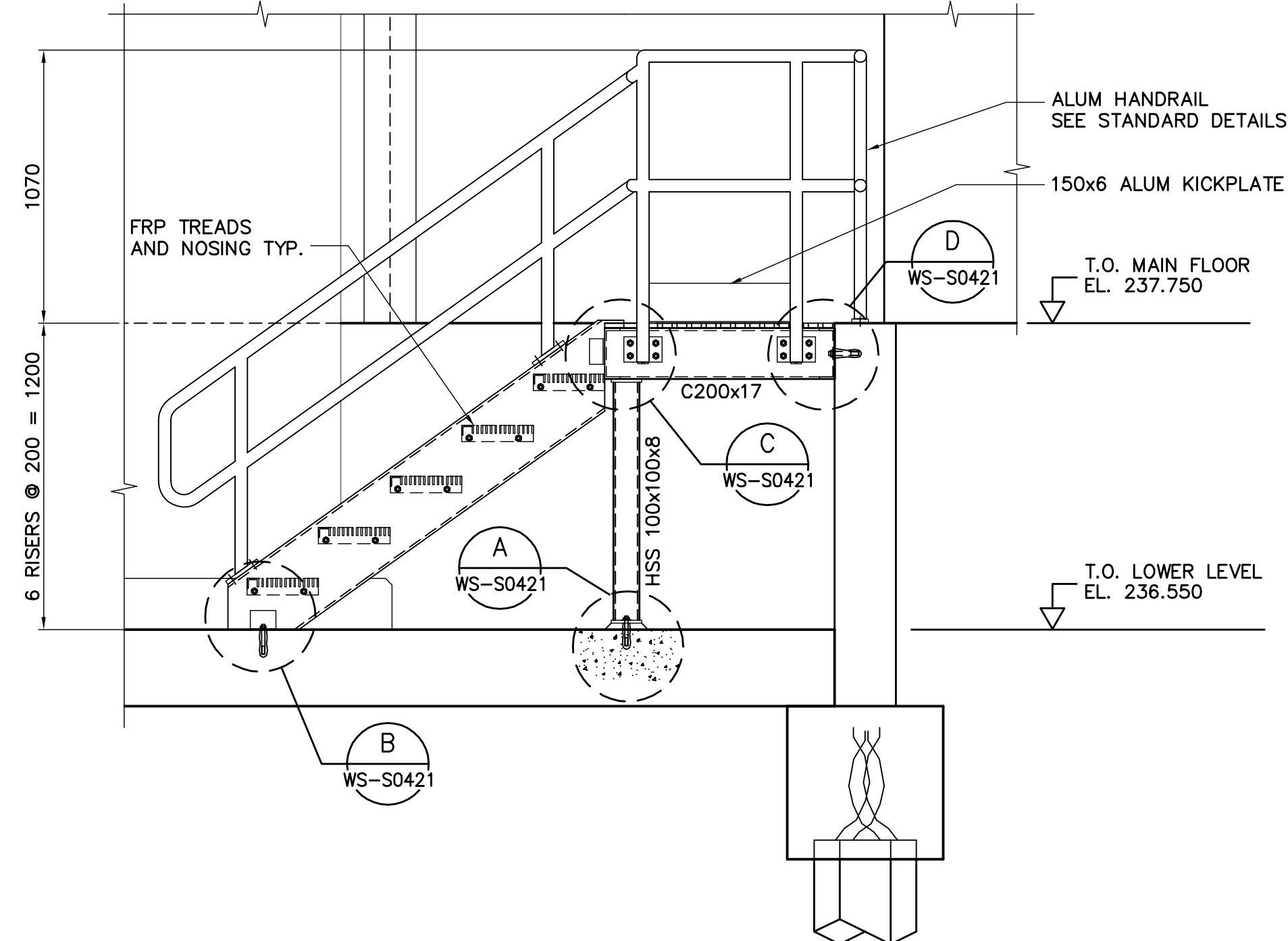
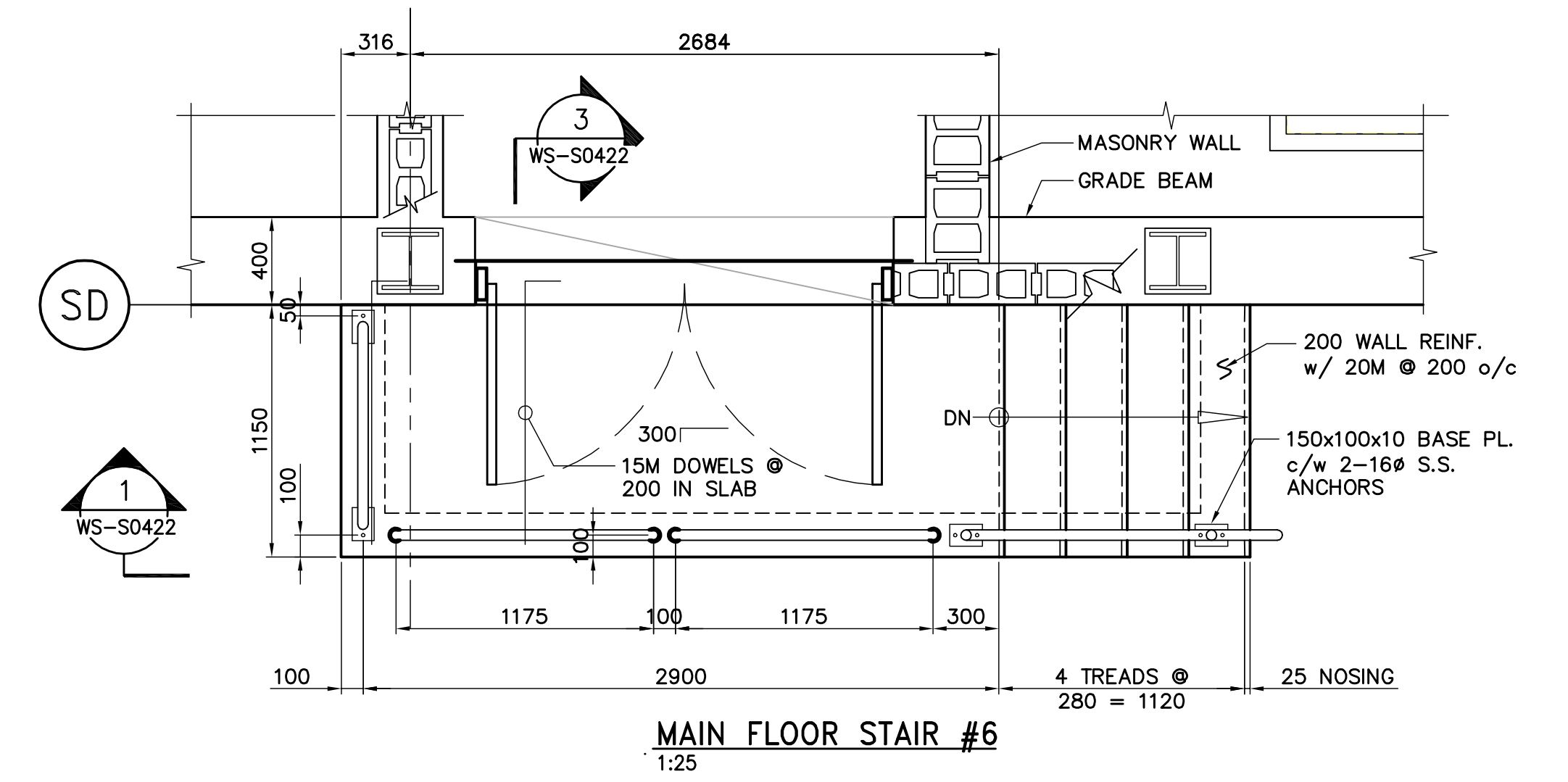
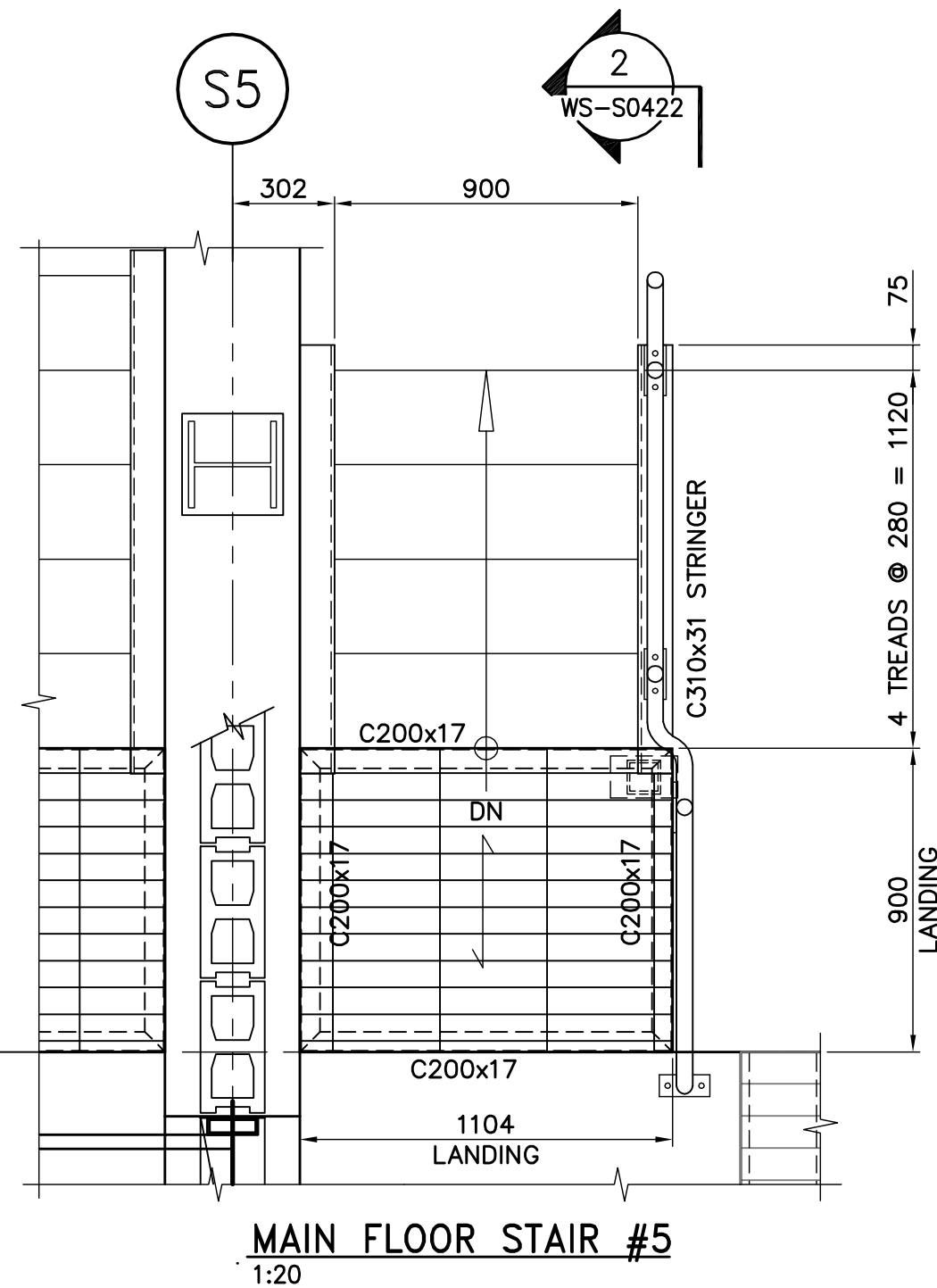


NOTE:
ALL STAIR STRINGERS REVISED TO C310x31



B.M. ELEV.	 Frederickson Cooper ARCHITECTS		 A Tyco International Ltd. Company		ENGINEER'S SEAL	 THE CITY OF WINNIPEG WATER AND WASTE DEPARTMENT ENGINEERING DIVISION	
	DESIGNED BY	ARA	CHECKED BY	AP	ORIGINAL SIGNED BY	WATER TREATMENT PLANT BULK CHEMICAL BUILDING SODIUM HYPOCHLORITE AND CHEMICAL STORAGE BUILDING	
	DRAWN BY	WDB	APPROVED BY	AHL	A. POCHANART	CITY FILE NUMBER	
	SCALE:	AS NOTED	RELEASED FOR CONSTRUCTION BY:	R. SOROKOWSKI	2007/01/31	SHEET OF	
	NO. REVISIONS	DATE	BY	DATE	2006/10/06	CITY DRAWING NUMBER	
					2007/01/31	1-06019-A-80422-001-02D	
					CONSULTANT DRAWING NO. WS-S0422	STRUCTURAL MAIN FLOOR STAIR SECTIONS AND DETAILS	