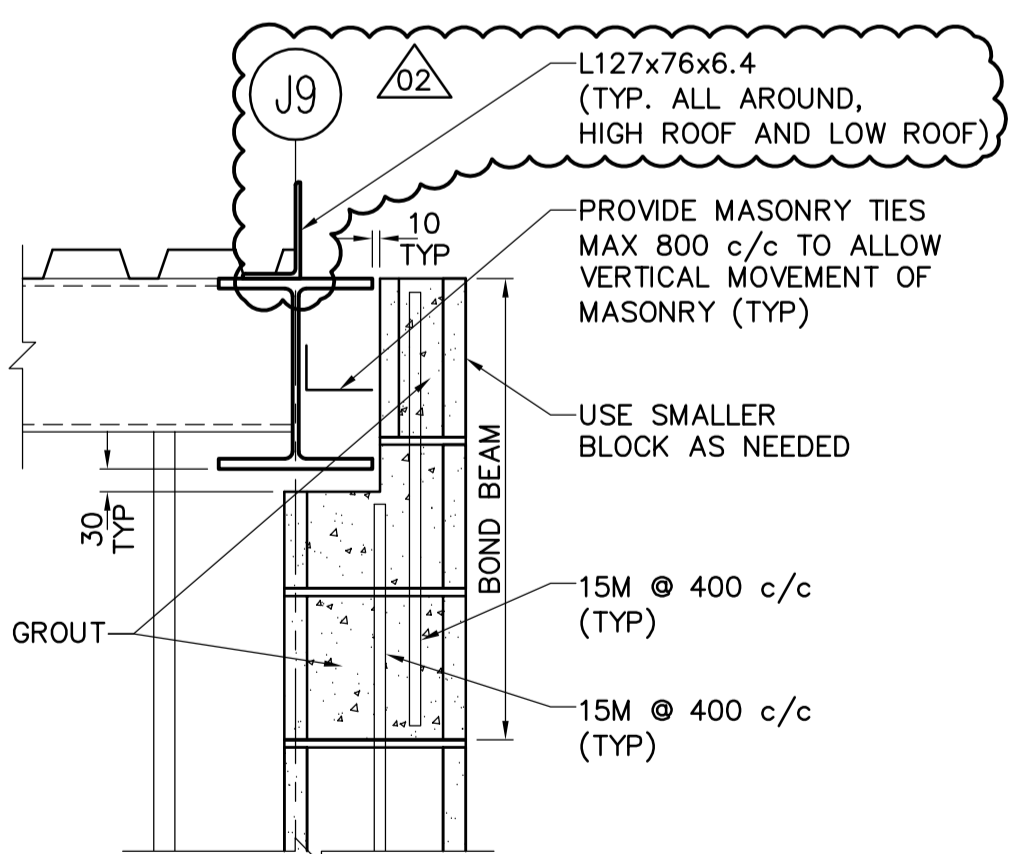
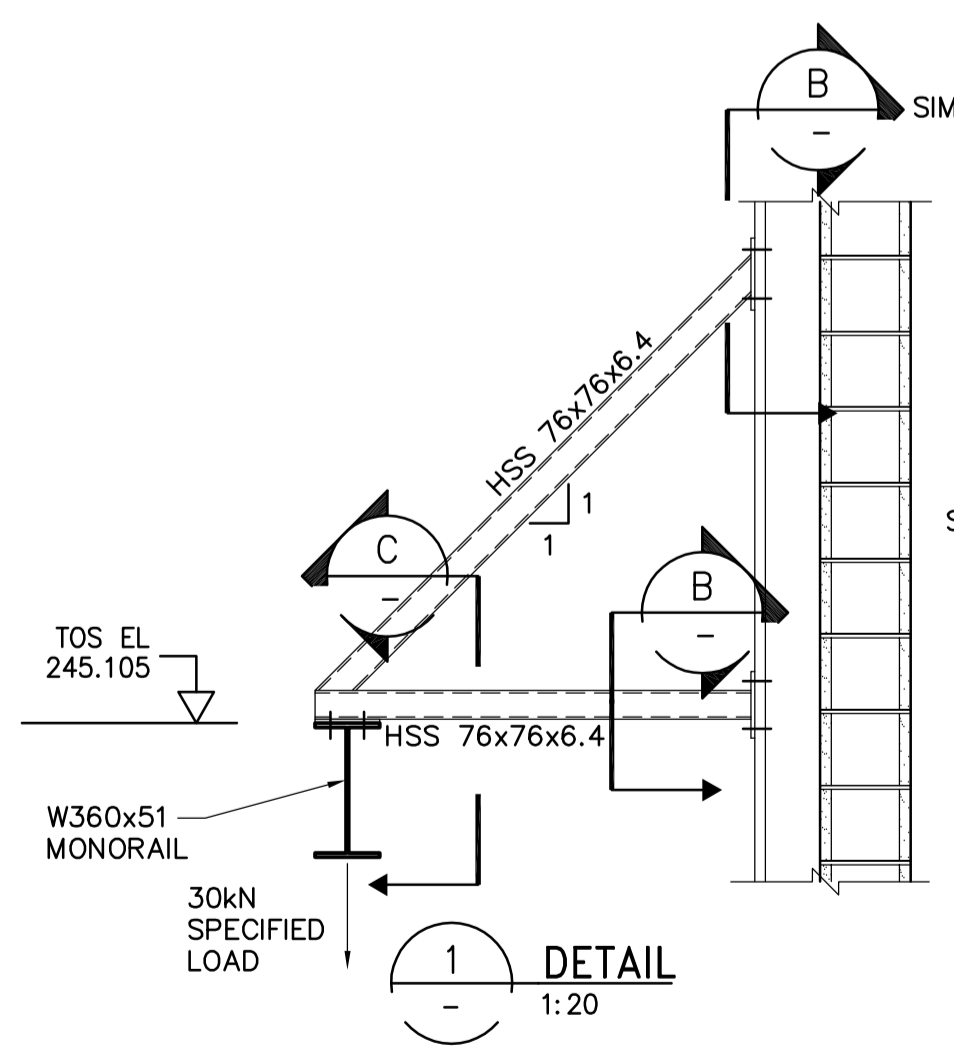


A SECTION
WJ-F0105 1:50
WJ-S0101
WJ-S0111
WJ-S0121
(REVISED FOR IFT FEB. 22/07 DK)

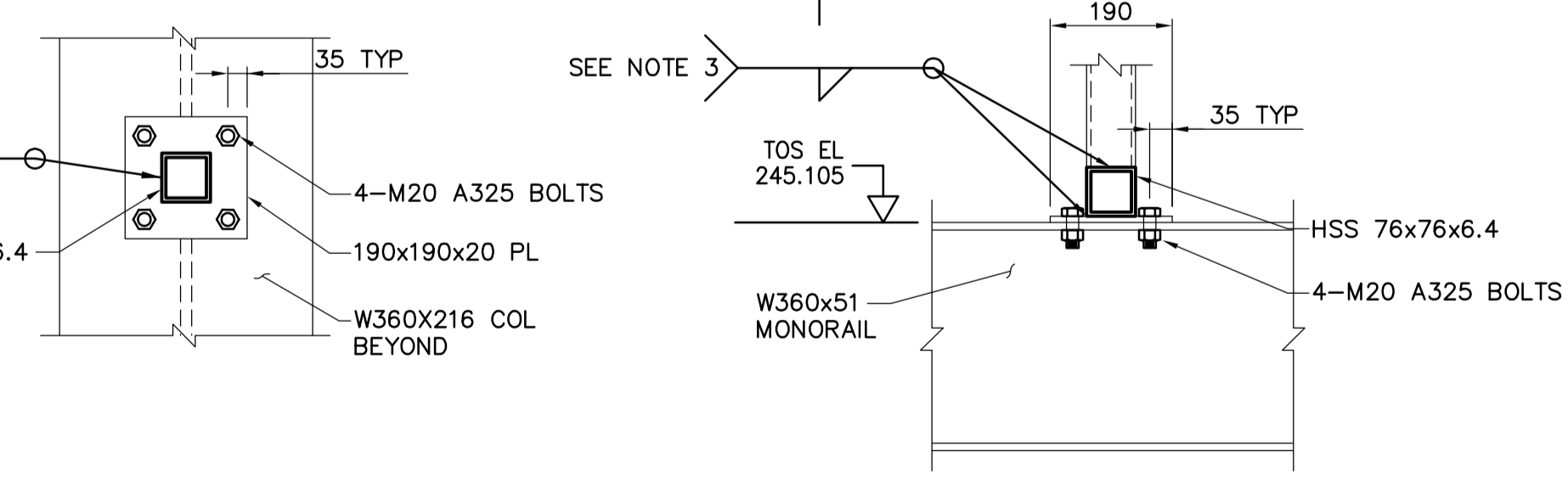


D SECTION
1:10
DETAIL IS TYP TO ALL LOCATIONS

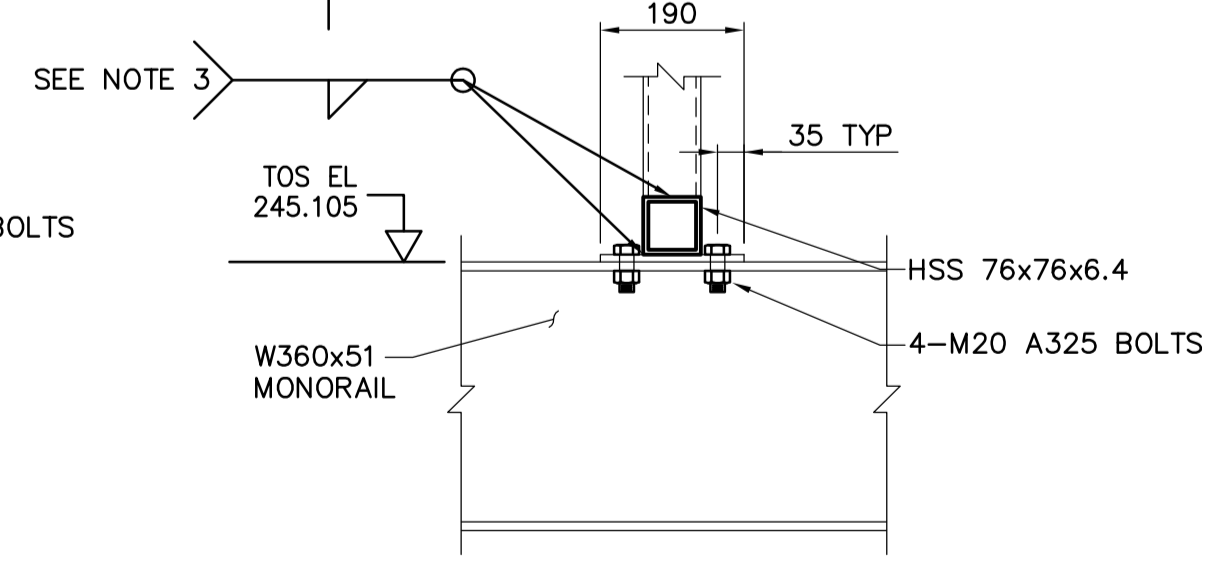
- NOTE:**
- SEE PLANS WJ-S0101 AND WJ-S0111 FOR REBAR SIZE AND SPACING.
 - FOR GENERAL NOTES SEE DWG WS-S0001. IN CASE OF CONFLICTING INFORMATION, WJ-SERIES DRAWINGS GOVERN.
 - FOR HSS CONNECTIONS SEE CISC HANDBOOK, 2004 ED., TABLE 3-46.
 - COORDINATE OPENING LOCATION AND WIDTH WITH MECHANICAL SUBCONTRACTOR (TYP).
 - FOR PARAPET DETAILS REFER TO ARCHITECTURAL DRAWINGS.



1 DETAIL
1:20



B SECTION
1:10



C SECTION
1:10

<p>Certificate of Authorization CH2M HILL Canada Ltd. No. 1441 Expiry: April 30, 2007</p>	<p>Frederickson Cooper ARCHITECTS</p>	<p>A Tyco International Ltd. Company</p>	ENGINEER'S SEAL	<p>THE CITY OF WINNIPEG WATER AND WASTE DEPARTMENT ENGINEERING DIVISION</p>	CITY FILE NUMBER
			DESIGNED BY: MH CHECKED BY: AP DRAWN BY: CR APPROVED BY: AHL SCALE: AS NOTED RELEASED FOR CONSTRUCTION BY: R. SOROKOWSKI DATE: 2006/08/14 DATE: 2007/01/31		ORIGINAL SIGNED BY: D. KRUGER DATE: 2007/01/31 CONSULTANT DRAWING NO.: WJ-S0201