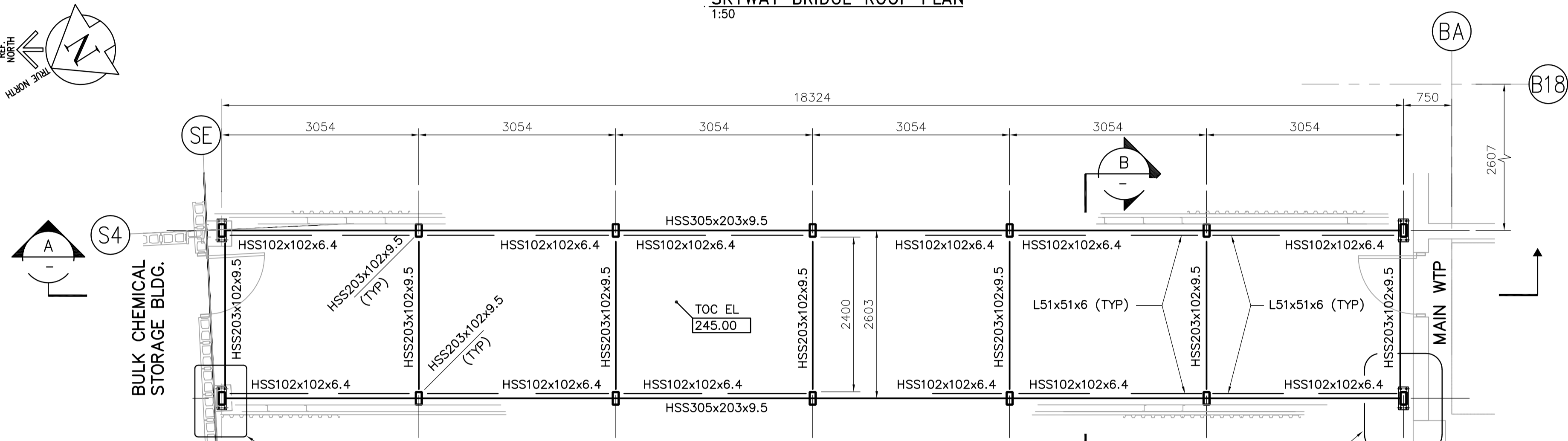
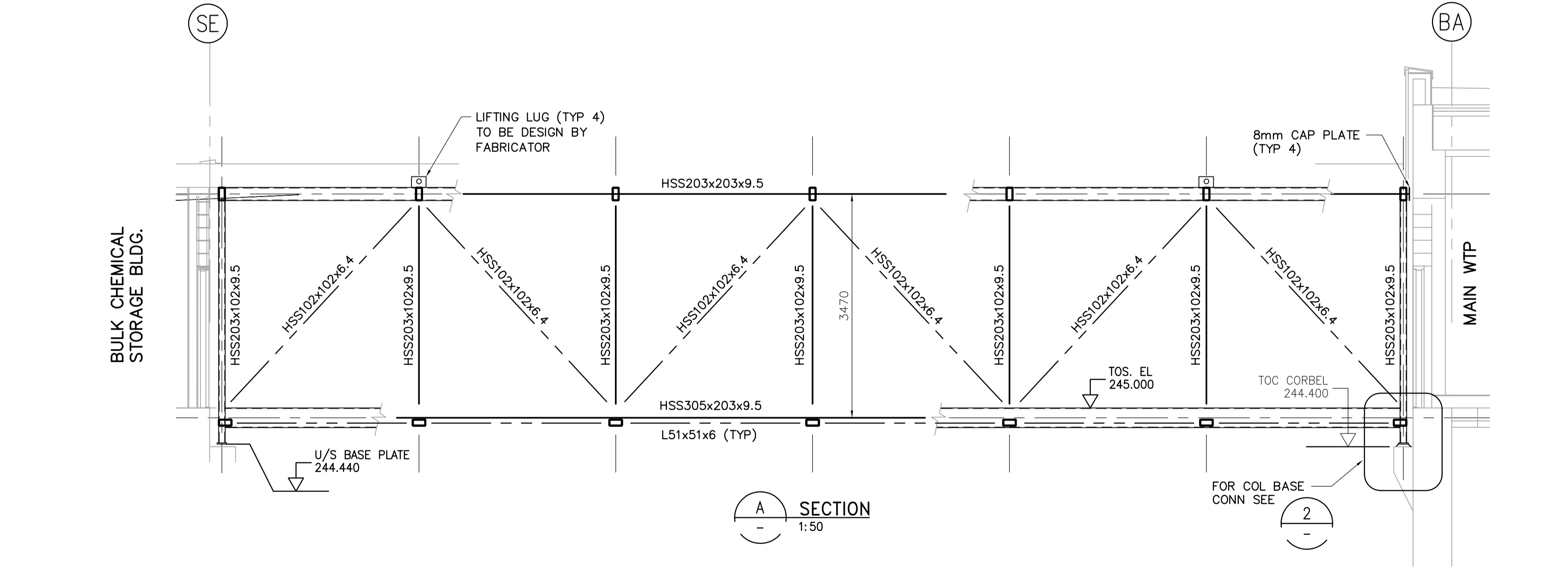


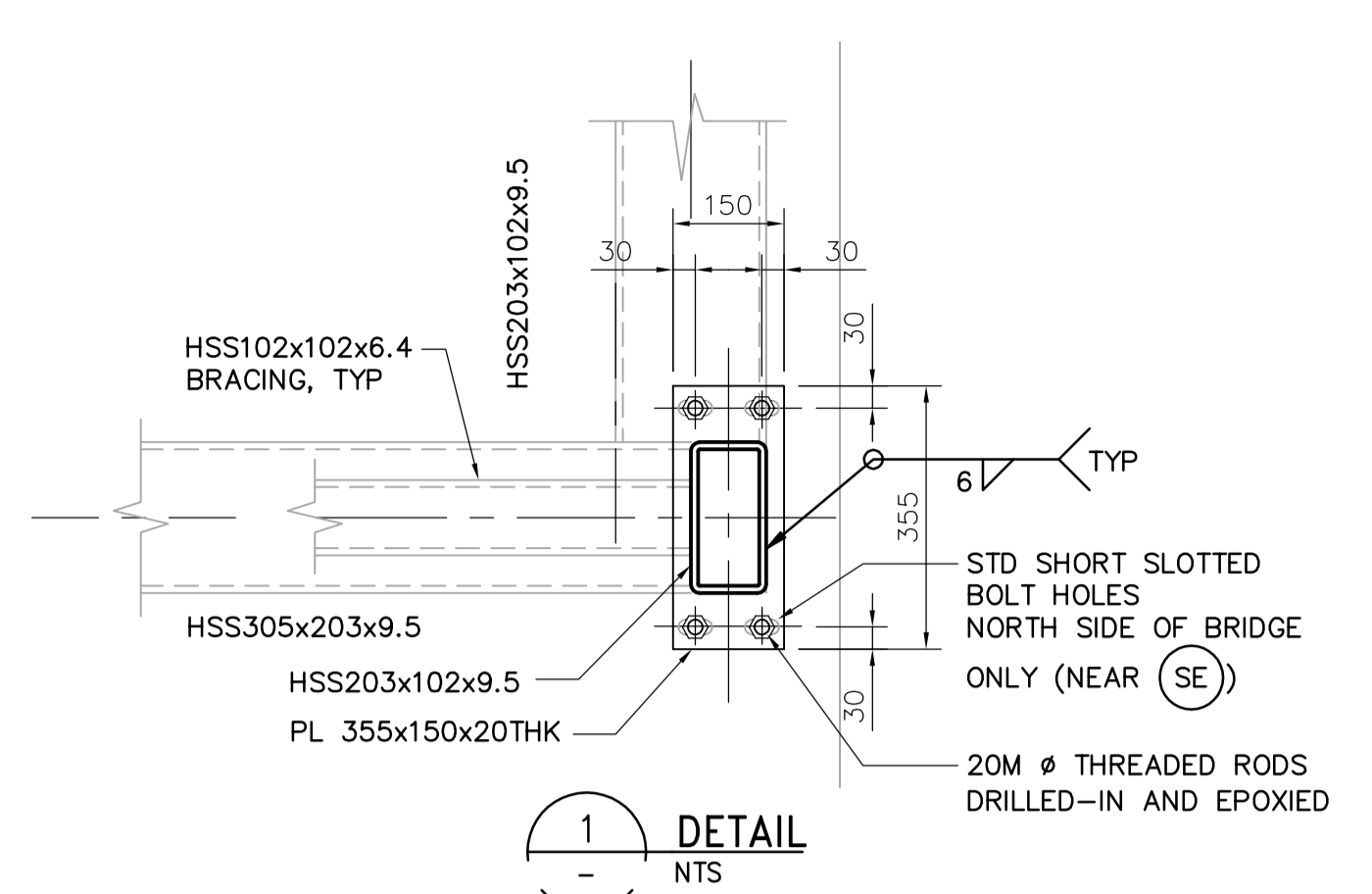
SKYWAY BRIDGE ROOF PLAN
1:50



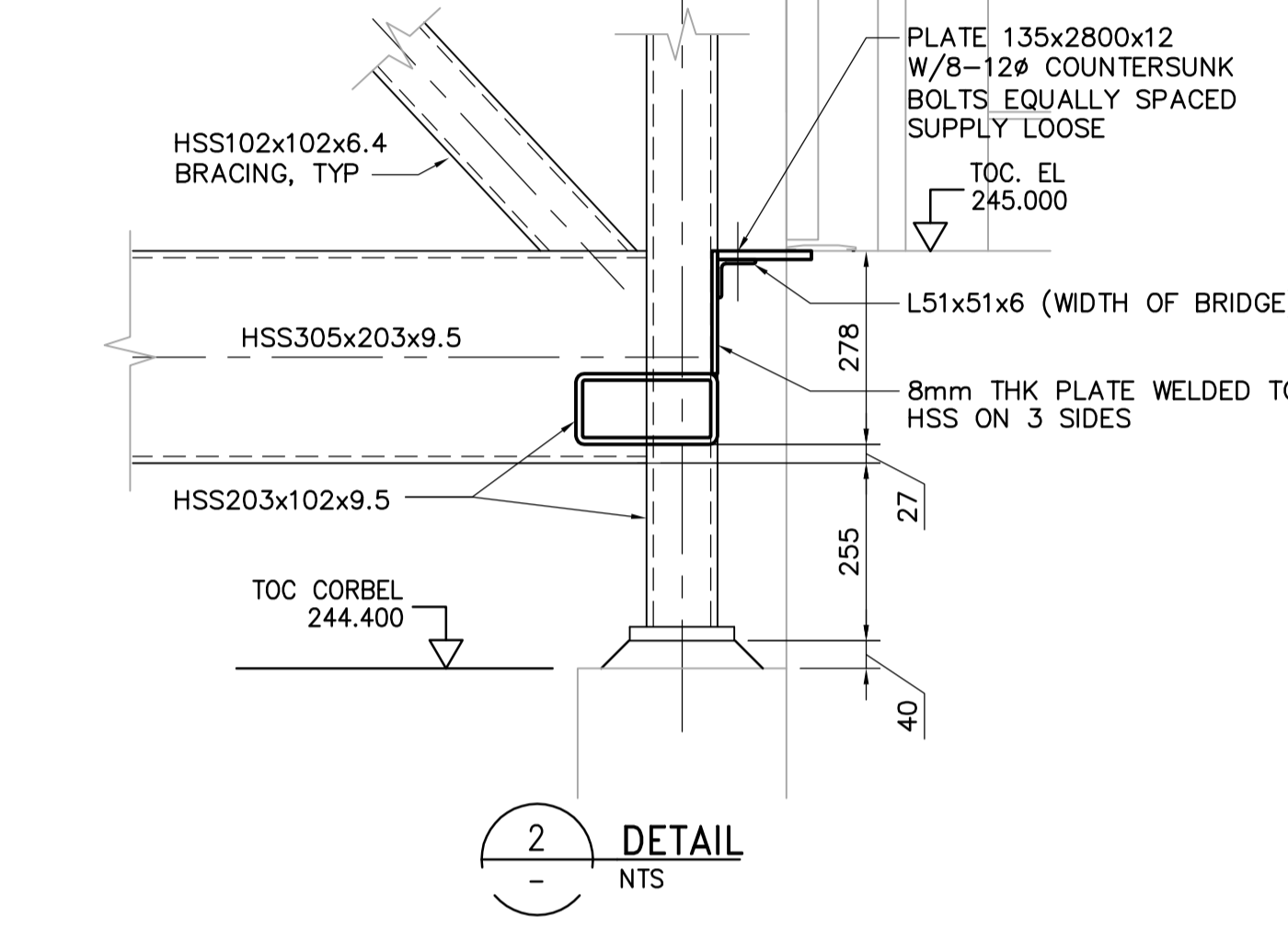
SKYWAY BRIDGE FLOOR PLAN
1:50



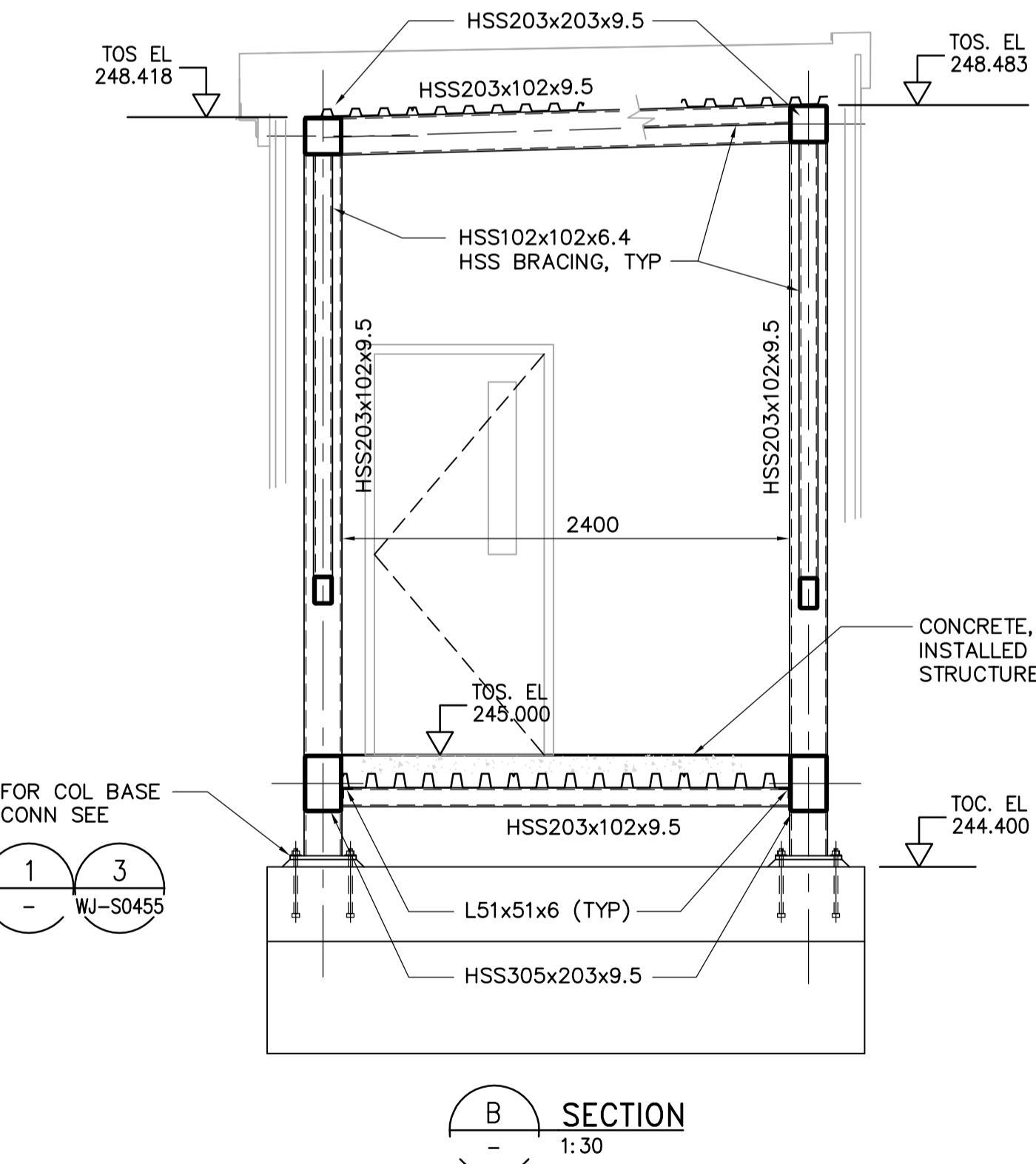
A SECTION
1:50



1 DETAIL
NTS

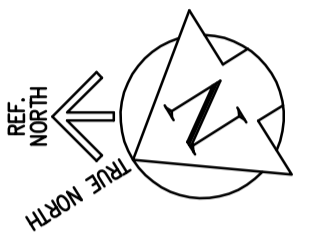


2 DETAIL
NTS



B SECTION
1:30

- NOTES:**
- ROOF DECKING:
 - 38x0.91 THK STL ROOF DECK
 - 2 SPAN CONT
 - SUPPORT FASTENERS: 915/3
 - SIDE LAP FASTENERS: 2-#10 TEK SCREWS PER SPAN
 - FLOOR DECKING:
 - 76x0.91 GALVANIZED COMPOSITE METAL DECKING w/ 176mm CONCRETE TOPPING SLAB w/ 15M @ 300 EW CTRD.
 - WELD (20mm) EDGE RIBS OF PANELS AT EACH SUPPORT. SPACE ADDITIONAL WELDS AND AVERAGE OF 300mm APART BUT NOT MORE THAN 460mm.
 - FASTEN SIDE LAPS AND PERIMETER EDGE OF UNITS BETWEEN SUPPORTS AT INTERVALS NOT EXCEEDING 300mm ON CENTER.
 - FOR GENERAL NOTES SEE DWG WS-S0001. IN CASE OF CONFLICTING INFORMATION, WJ-SERIES DRAWINGS GOVERN.
 - FABRICATE AND INSTALL FULLY WELDED STEEL STRUCTURE. WELD JOINTS ALL AROUND. SEE CISC HANDBOOK, 2004 ED. TABLE 3-46.



<p>Certificate of Authorization CH2M HILL Canada Ltd. No. 1441 Expiry: April 30, 2007</p>					ENGINEER'S SEAL ORIGINAL SIGNED BY D. KRUGER 2007/03/12		THE CITY OF WINNIPEG WATER AND WASTE DEPARTMENT ENGINEERING DIVISION	
	DESIGNED BY DK CHECKED BY AP		DRAWN BY PM APPROVED BY AHL		SCALE: AS NOTED RELEASED FOR CONSTRUCTION BY: R. SOROKOWSKI		CONSULTANT DRAWING NO. WJ-S0402	
	NO. REVISIONS DATE BY		DATE 2006/10/30		DATE 2007/03/12		WATER TREATMENT PLANT SODIUM HYPOCHLORITE BUILDING SODIUM HYPOCHLORITE AND CHEMICAL STORAGE BUILDINGS	
	02 792-2006 ADDENDUM 5 07/04/11 MH 01 792-2006 ADDENDUM 3 07/03/30 DK 00 ISSUED FOR ADDENDUM 1 07/03/12 DK		DATE 2006/10/30		DATE 2007/03/12		STRUCTURAL SKYWAY BRIDGE DETAILS	