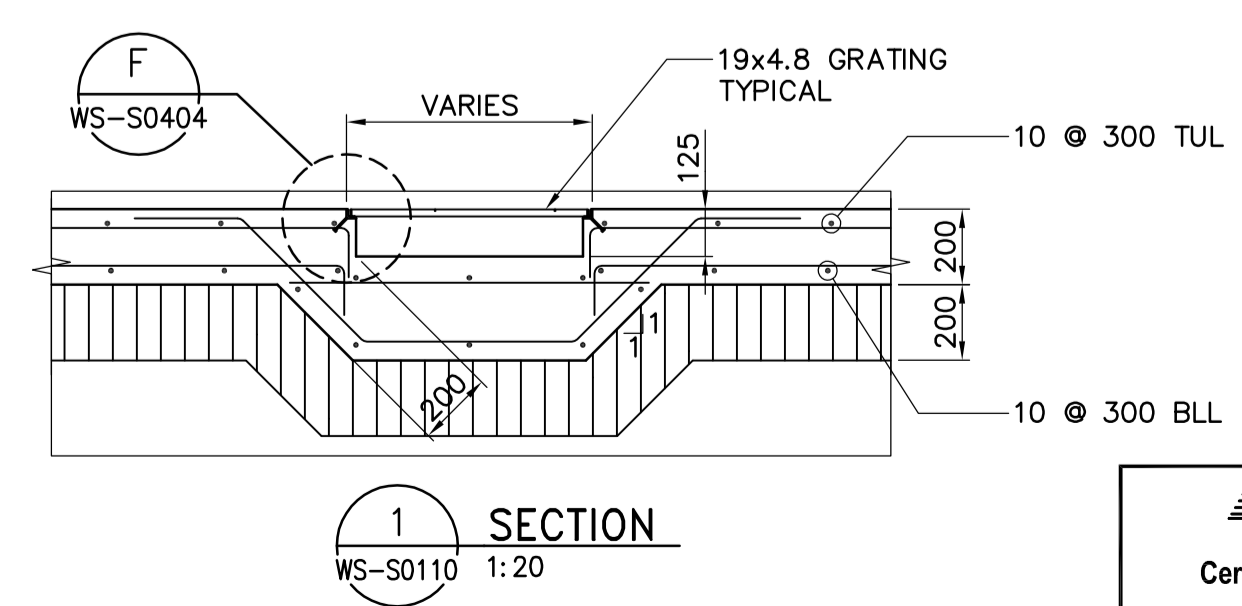


MAIN FLOOR FRAMING PLAN
1:75

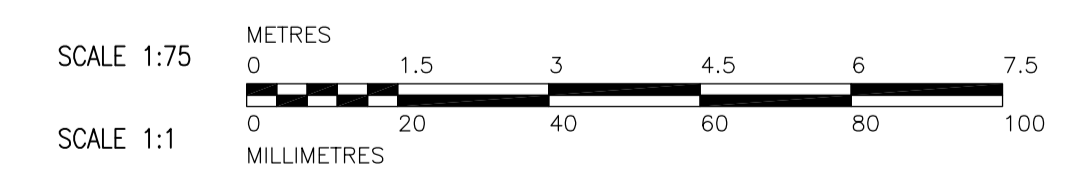
DESIGN LOADS:

- DEAD LOADS:
 - 1.) STRUCTURE SELF WEIGHT
 - 2.) ROOFING = 0.40 kPa
 - 3.) MECHANICAL LOAD = 1.20 kPa
 - 4.) EQUIPMENT LOAD = AS SHOWN
- LIVE LOADS
 - 1.) GROUND SNOW LOAD - $S_s = 1.70$ kPa
 $S_r = 0.20$ kPa
MODIFY FOR EXPOSURE & DRIFT AS PER NBC 1995.
 - 2.) WIND = q (1/100) PER NBC



APCM
Certificate of Authorization
Earth Tech Canada Inc.
No. 730 Expiry: April 30, 2007

- DRAWING NOTES:**
- REFER TO DRAWING WS-S0421 TO WS-S0423 FOR STAIR DETAILS.
 - FOR CONCRETE BEAM SIZES AND DIMENSIONS SEE DWG. WS-S0100.
 - FOR EQUIPMENT LOCATION REFER TO MECHANICAL DWGS.
 - ALL BASEPLATES ARE SC-3 UNLESS OTHERWISE NOTED.



B.M. ELEV.	CH2M HILL Frederickson Cooper ARCHITECTS	EarthTech A Tyco International Ltd. Company	ENGINEER'S SEAL ORIGINAL SIGNED BY A. POCHANART 2007/01/31	THE CITY OF WINNIPEG WATER AND WASTE DEPARTMENT ENGINEERING DIVISION
03 792-2006 ADDENDUM 5 07/04/11 WDB	DESIGNED BY ARA	CHECKED BY AP	CONSULTANT DRAWING NO. WS-S0110	WATER TREATMENT PLANT BULK CHEMICAL BUILDING SODIUM HYPOCHLORITE AND CHEMICAL STORAGE BUILDING
02 792-2006 ADDENDUM 3 07/03/30 WDB	DRAWN BY WDB	APPROVED BY AHL		
01 792-2006 ADDENDUM 2 07/03/22 WDB	SCALE: AS NOTED	RELEASED FOR CONSTRUCTION BY: R. SOROKOWSKI		SHEET OF
00 ISSUED FOR TENDER 07/01/31 CMF	DATE 2006/08/31	DATE 2007/01/31		CITY DRAWING NUMBER 1-06018-A-S0110-001-03D
NO. REVISIONS	DATE	BY		