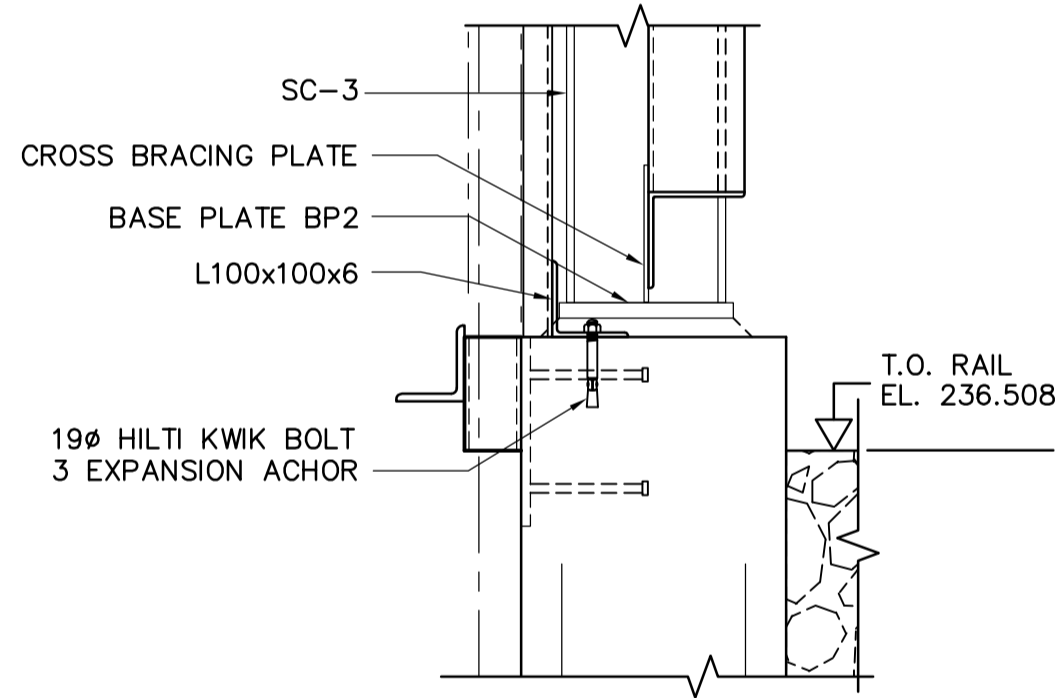
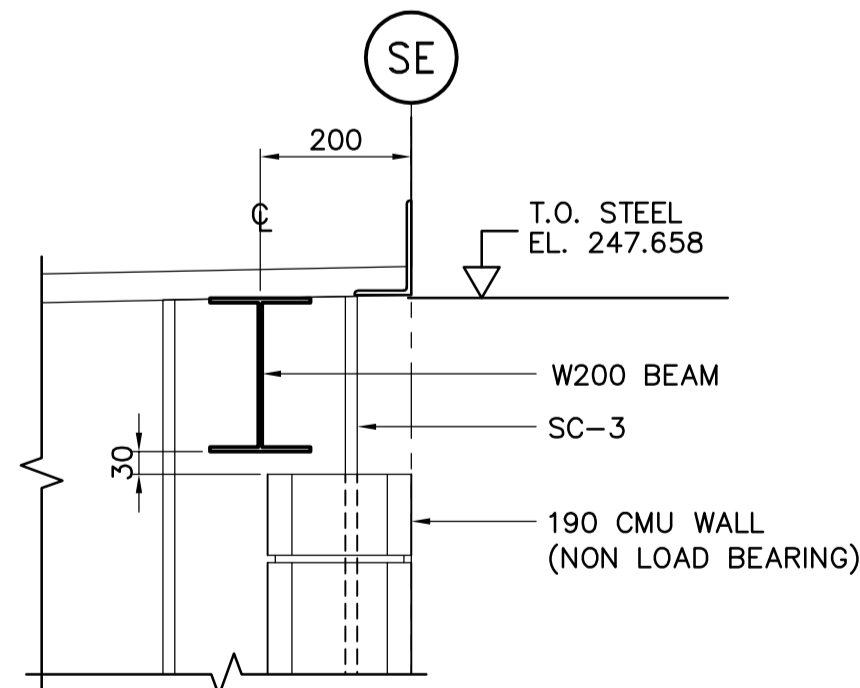


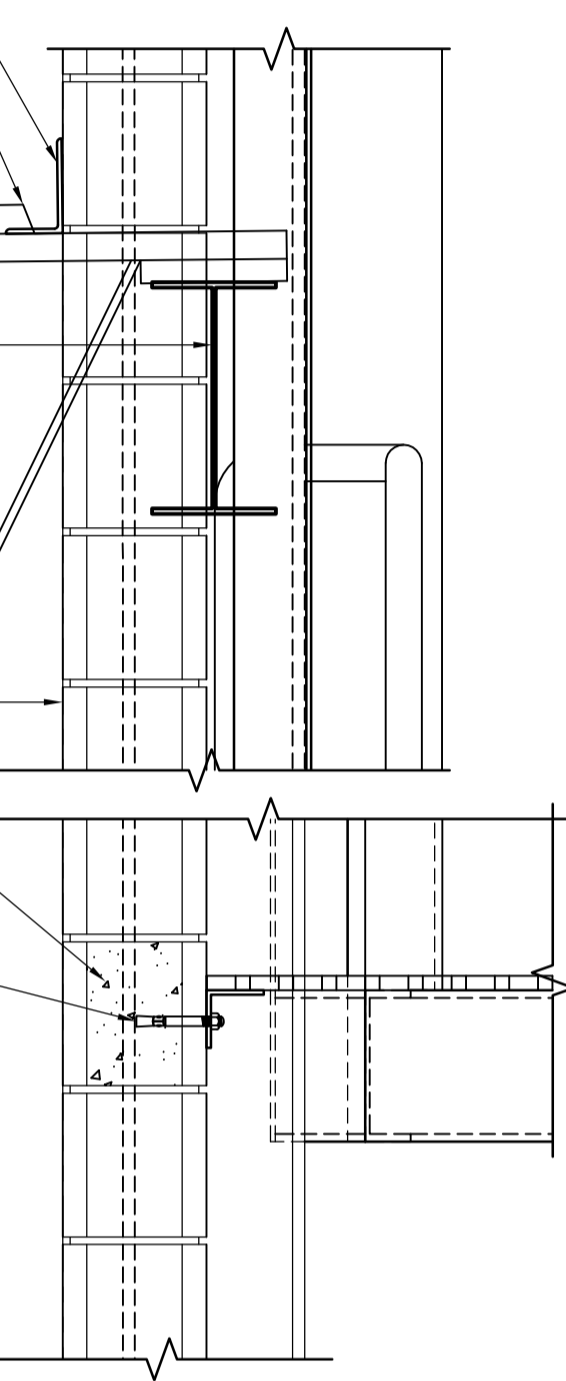
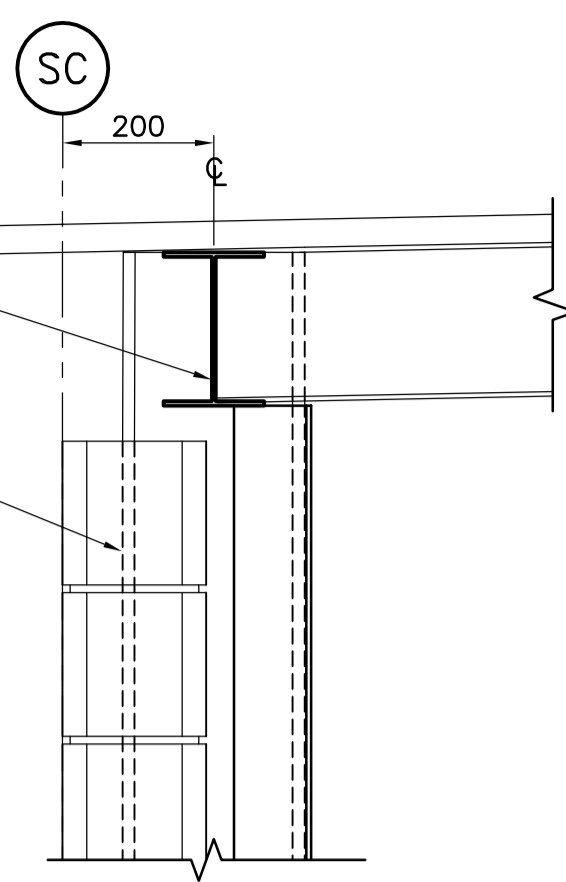
A SECTION DETAIL
WS-S0407 1:10



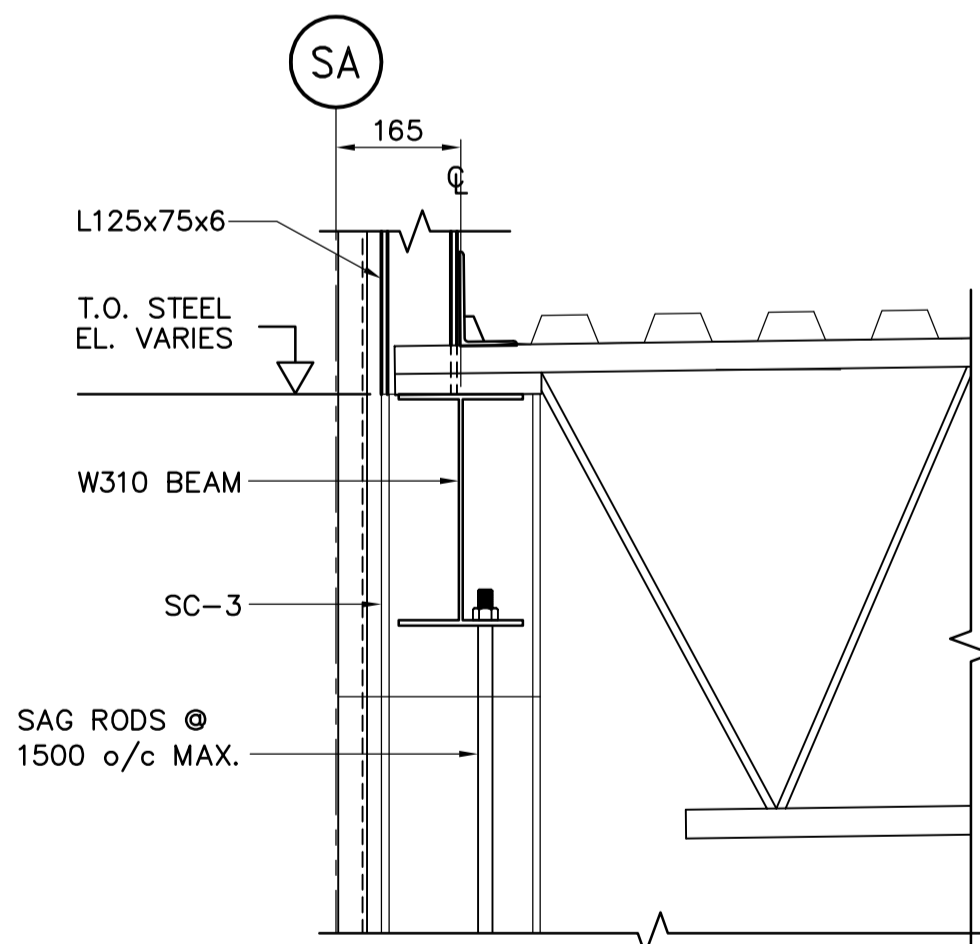
B SECTION DETAIL
WS-S0407 1:10



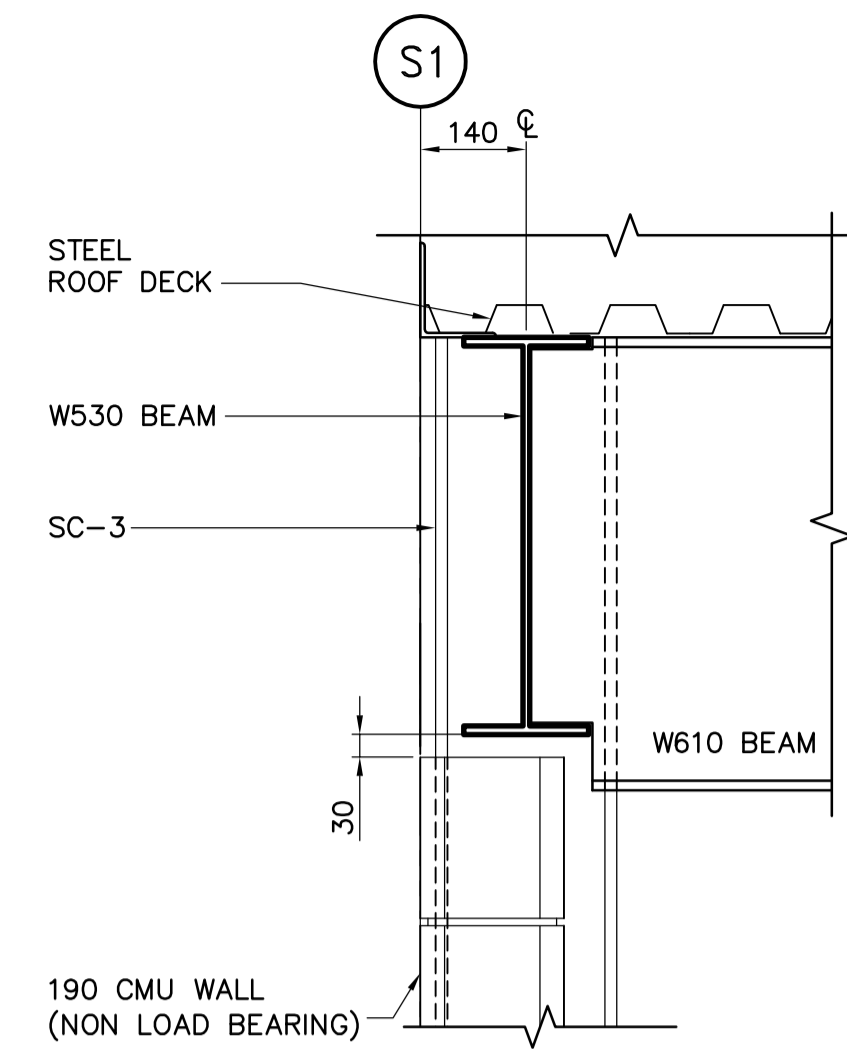
D SECTION DETAIL
WS-S0407 1:10



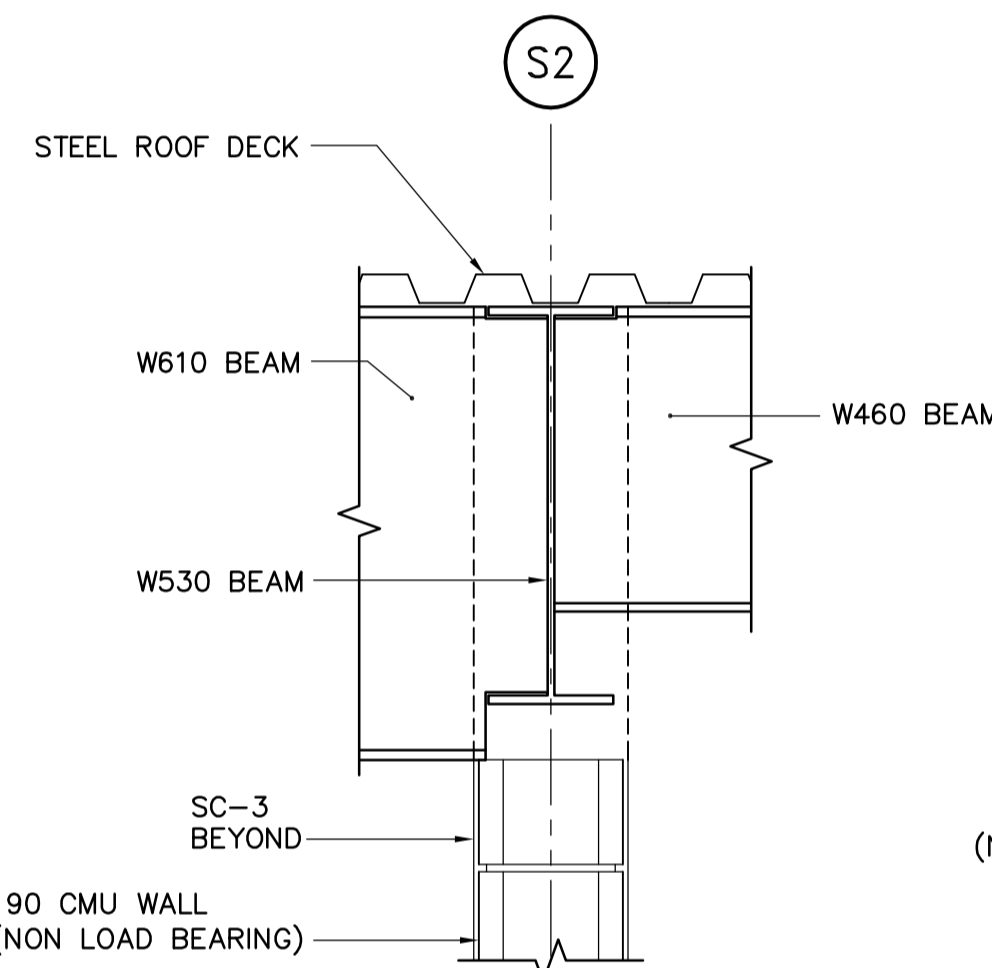
C SECTION DETAIL
WS-S0407 1:10



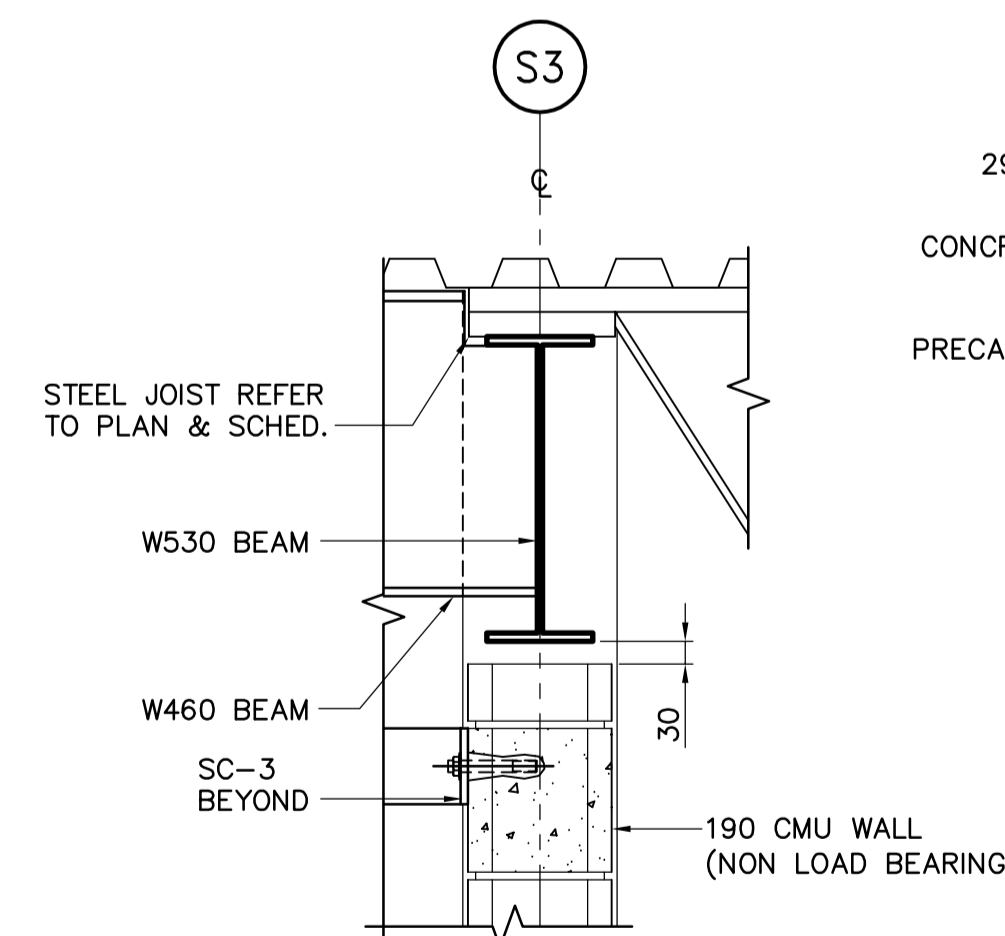
F SECTION DETAIL
WS-S0408 1:10



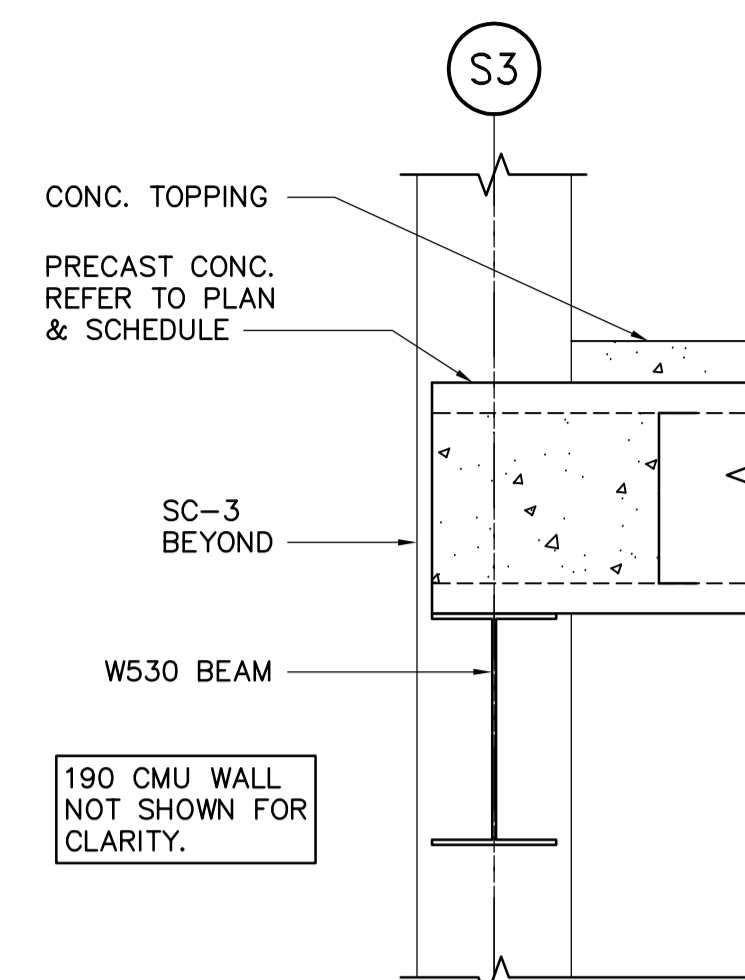
H SECTION DETAIL
WS-S0408 1:10



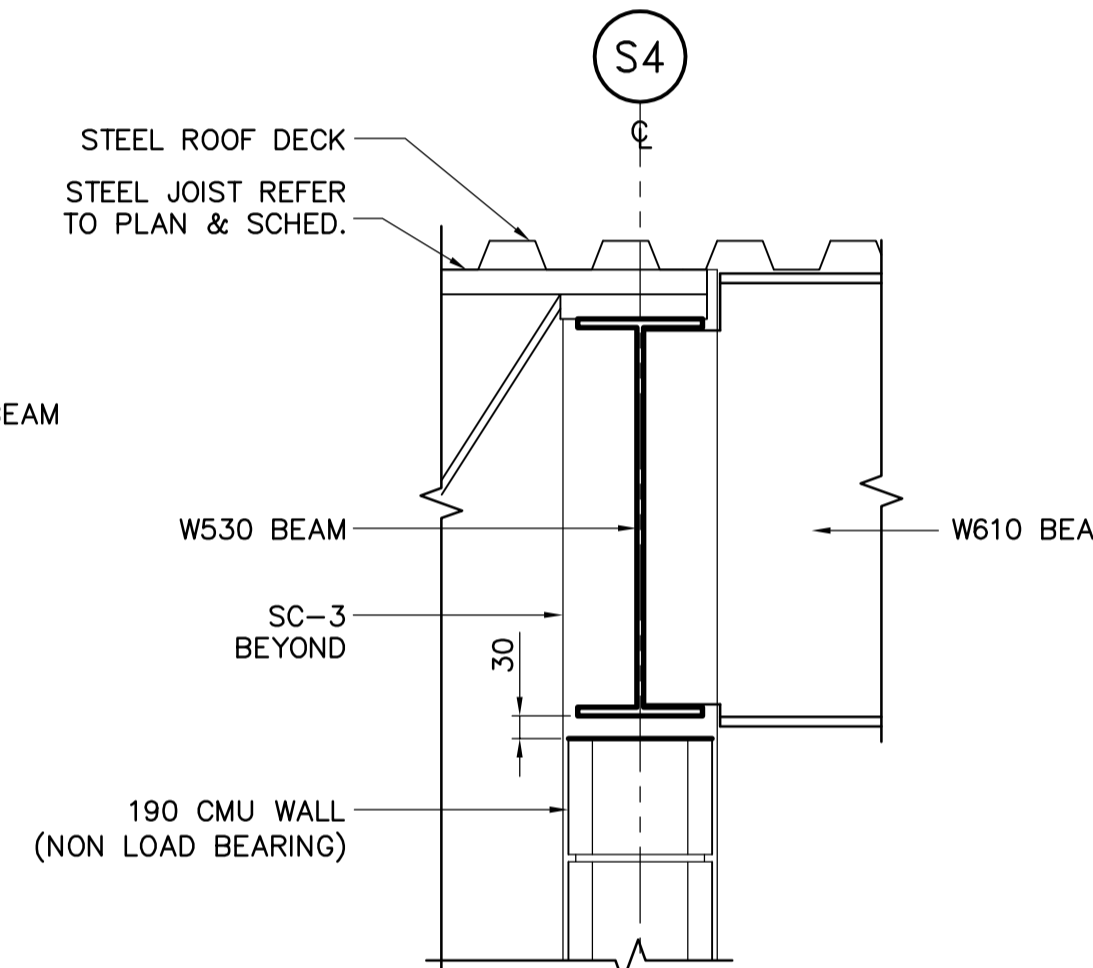
J SECTION DETAIL
WS-S0409 1:10



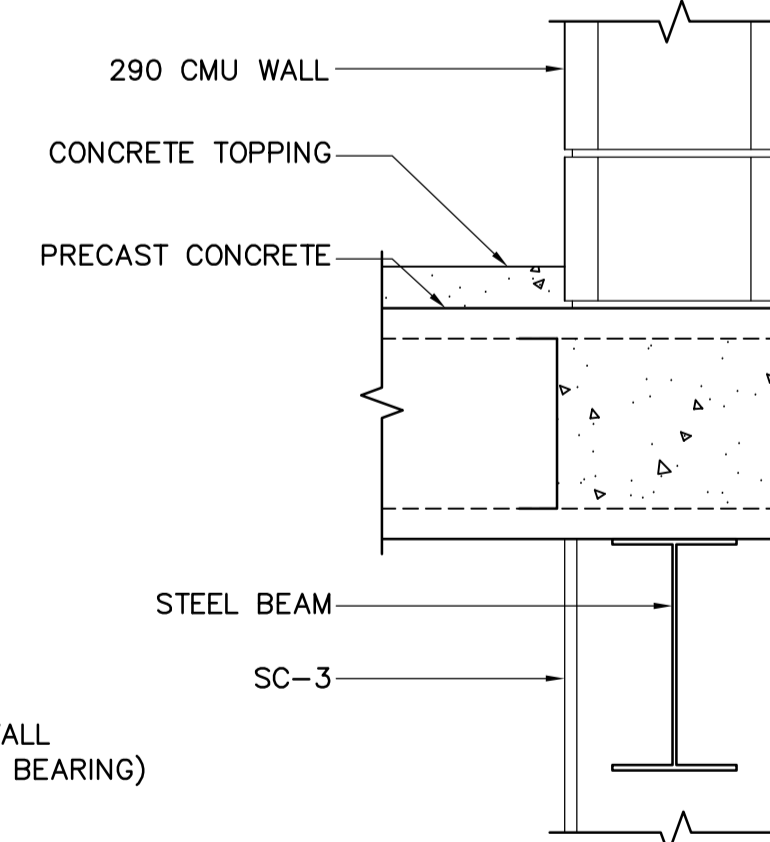
K SECTION DETAIL
WS-S0409 1:10



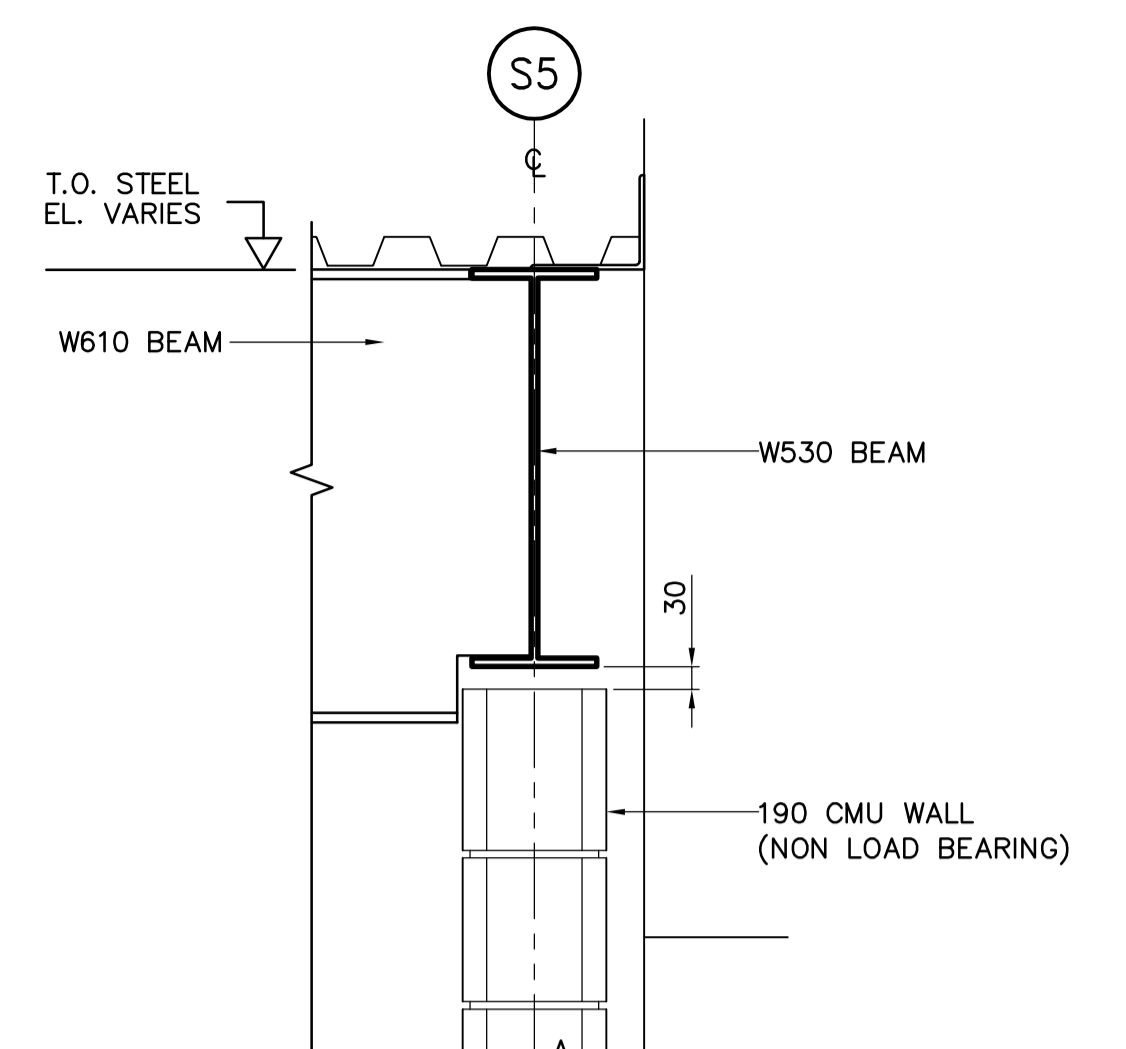
L SECTION DETAIL
WS-S0409 1:10



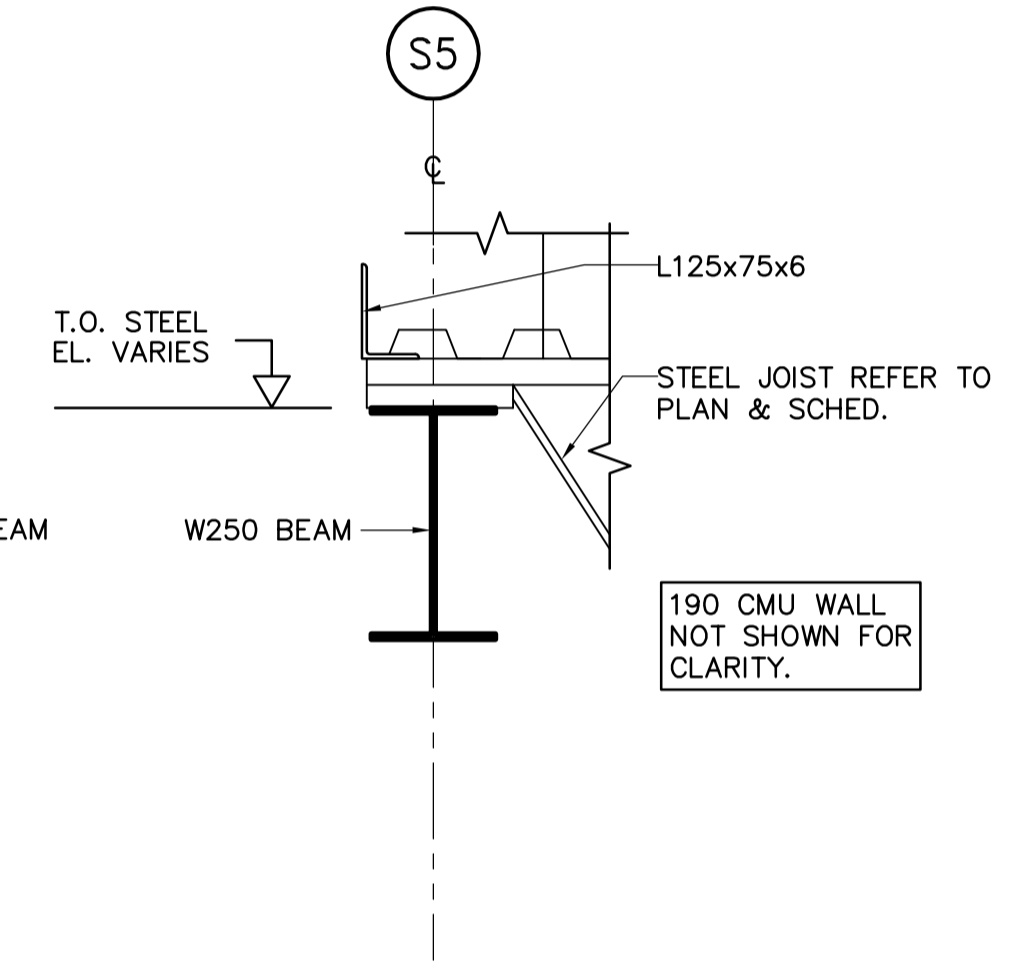
M SECTION DETAIL
WS-S0409 1:10



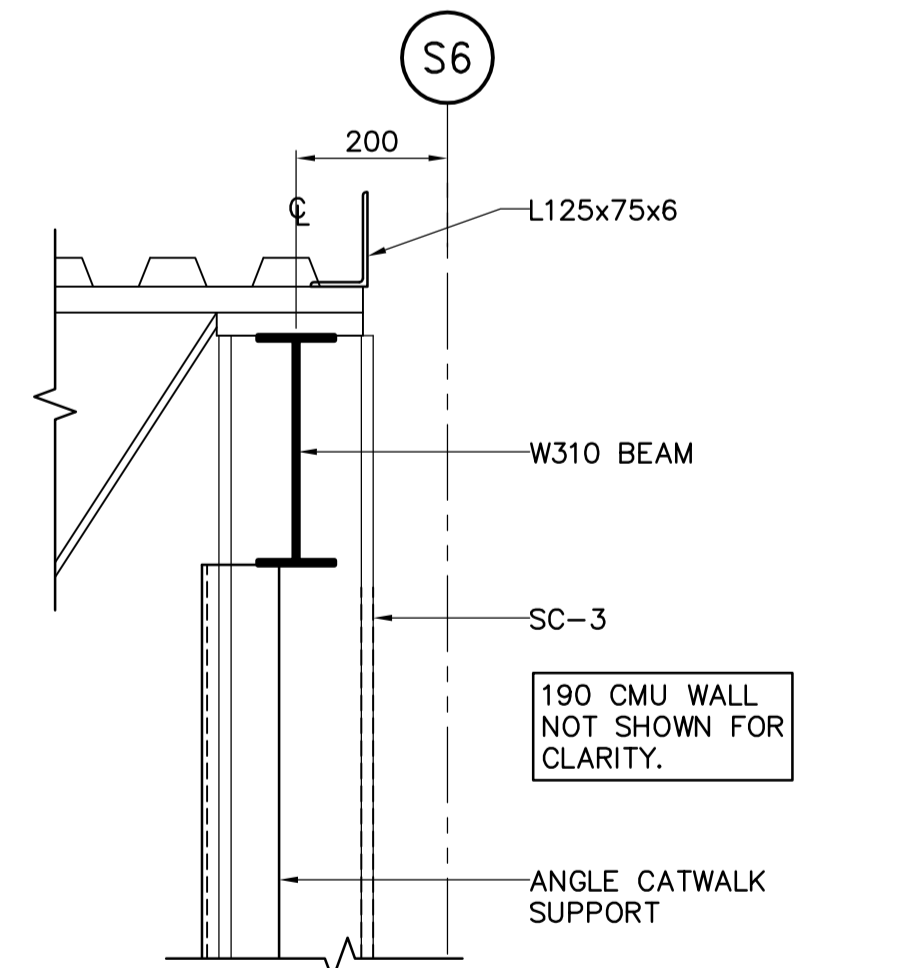
N SECTION DETAIL
WS-S0409 1:10



P SECTION DETAIL
WS-S0409 1:10



R SECTION DETAIL
WS-S0409 1:10



S SECTION DETAIL
WS-S0409 1:10

DETAIL 'E' DELETED



B.M. ELEV.		CH2M HILL Frederickson Cooper ARCHITECTS		ENGINEER'S SEAL ORIGINAL SIGNED BY A. POCHANART 2007/01/31		THE CITY OF WINNIPEG WATER AND WASTE DEPARTMENT ENGINEERING DIVISION	
DESIGNED BY	ARA	CHECKED BY		CONSULTANT DRAWING NO. WS-S0410		WATER TREATMENT PLANT BULK CHEMICAL BUILDING SODIUM HYPOCHLORITE AND CHEMICAL STORAGE BUILDING	
DRAWN BY	WDB	APPROVED BY	AHL			CITY FILE NUMBER SHEET OF	
SCALE:	AS NOTED	RELEASED FOR CONSTRUCTION BY: R. SOROKOWSKI				CITY DRAWING NUMBER 1-06018-A-S0410-001-03D	
NO. REVISIONS	DATE	BY	DATE	2006/10/04	DATE	2007/01/31	