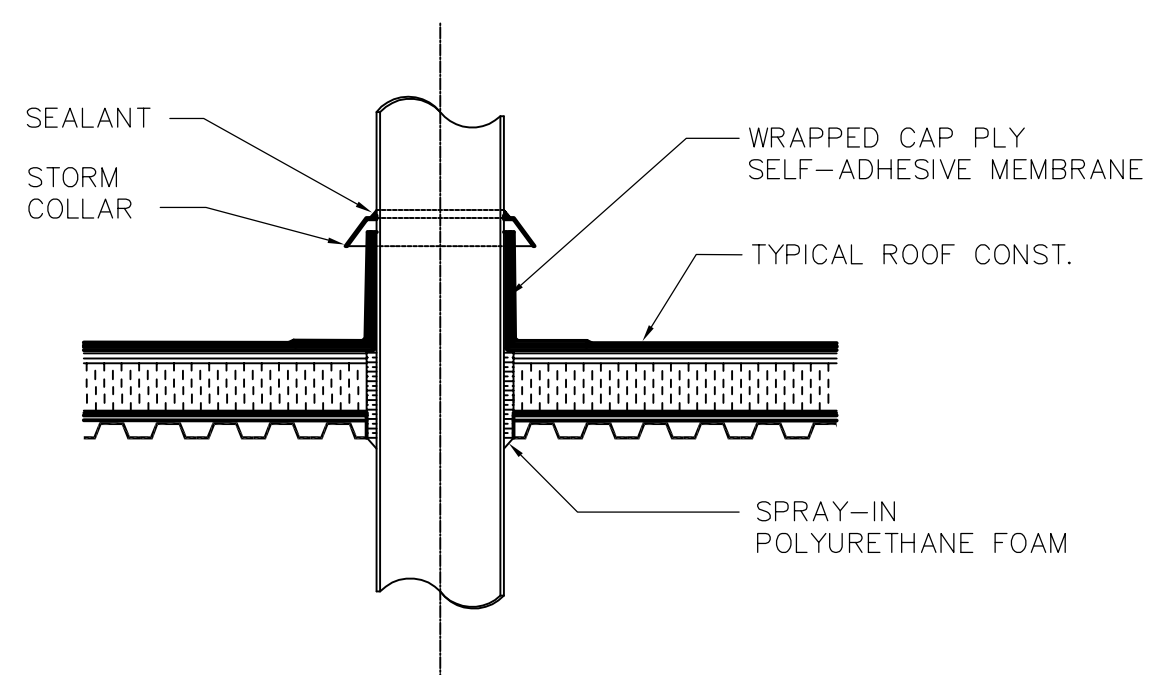
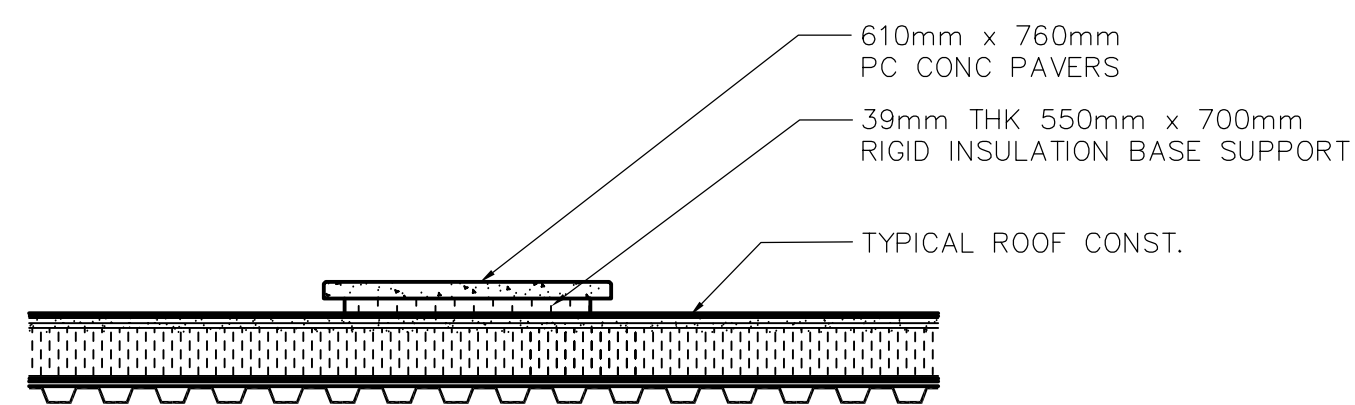


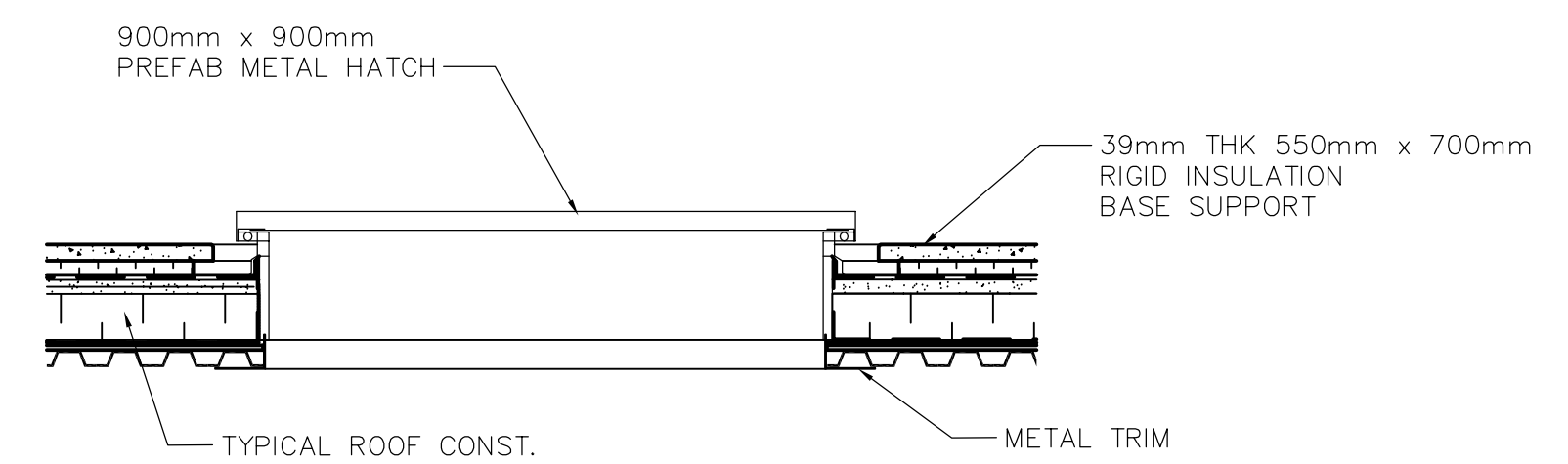
1 LOWER & UPPER ROOF PLAN
WJ-B0130 1:75



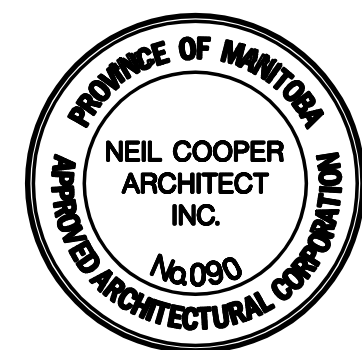
2 ROOF PENETRTION DETAIL
WJ-B0130 1:20



3 ROOF WALKWAY DETAIL
WJ-B0130 1:20



4 ROOF HATCH DETAIL
WJ-B0130 1:20



B.M. ELEV.			
00 ISSUED FOR TENDER	07/01/31	AL	
NO. REVISIONS	DATE	BY	DATE

 		 <small>A Top International LLC Company</small>	
DESIGNED BY	NC	CHECKED BY	LK
DRAWN BY	AL	APPROVED BY	AHL
SCALE:	AS SHOWN	RELEASED FOR CONSTRUCTION BY:	R. SOROKOWSKI
DATE	2006/10/02	DATE	2007/01/31

ENGINEER'S SEAL
ORIGINAL SIGNED BY
NEIL COOPER
2007/01/31
CONSULTANT DRAWING NO.
WJ-B0130

 WATER AND WASTE DEPARTMENT ENGINEERING DIVISION	
WATER TREATMENT PLANT SODIUM HYPOCHLORITE GENERATION BUILDING SODIUM HYPOCHLORITE AND CHEMICAL STORAGE BUILDING	
CITY FILE NUMBER	
SHEET	OF
CITY DRAWING NUMBER	1-0601J-A-B0130-001-000
ARCHITECTURAL ROOF PLAN	