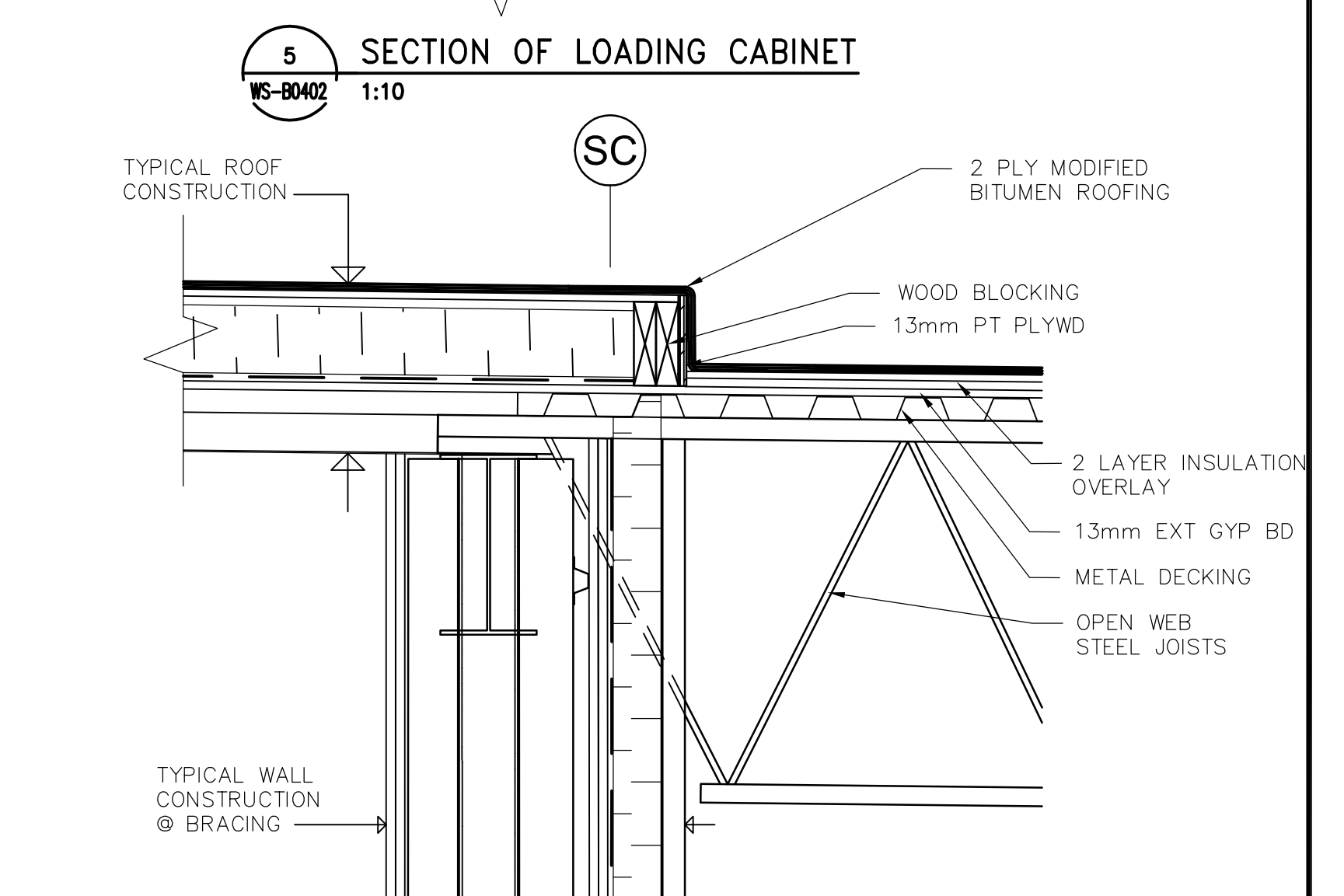
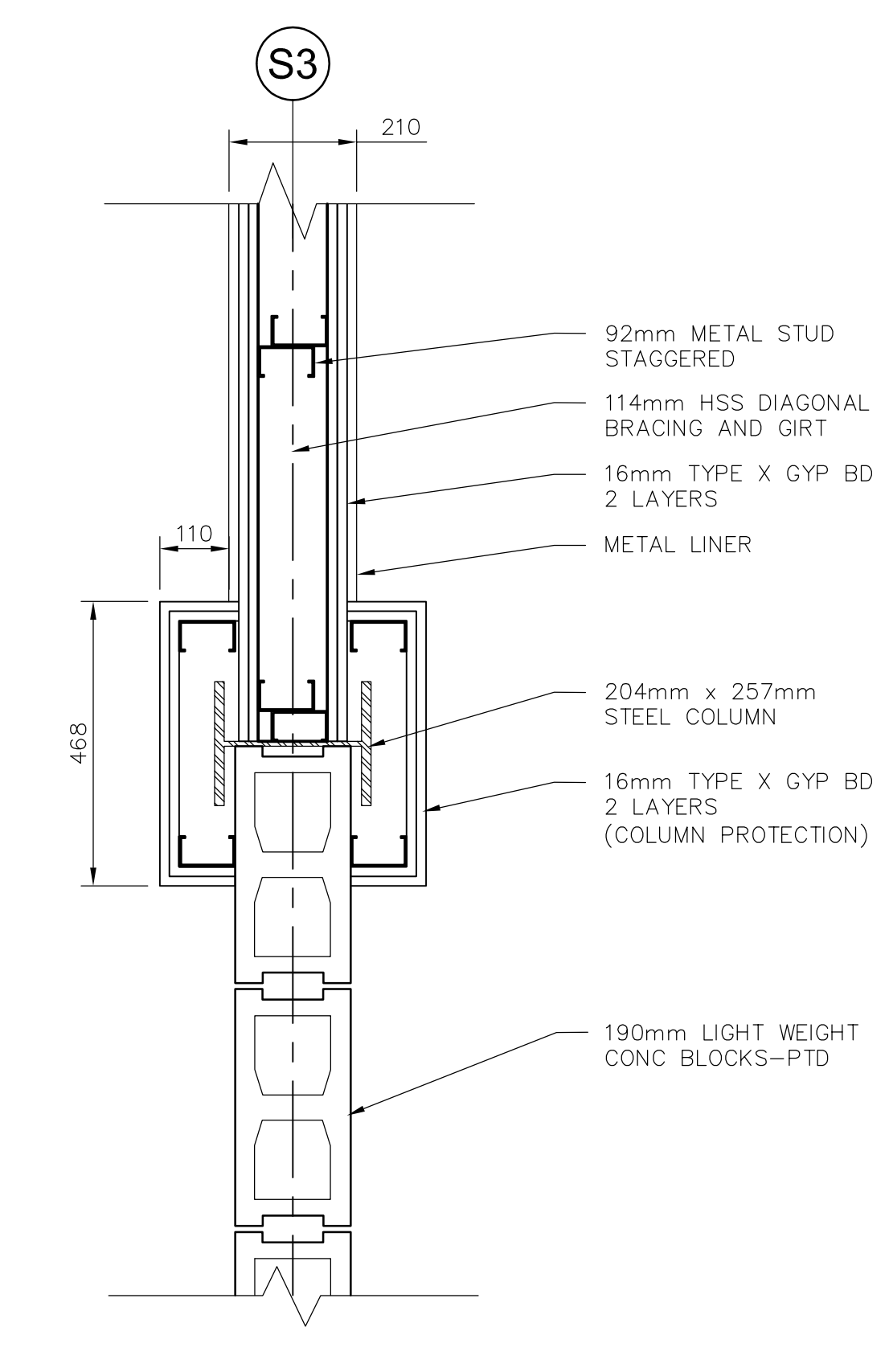
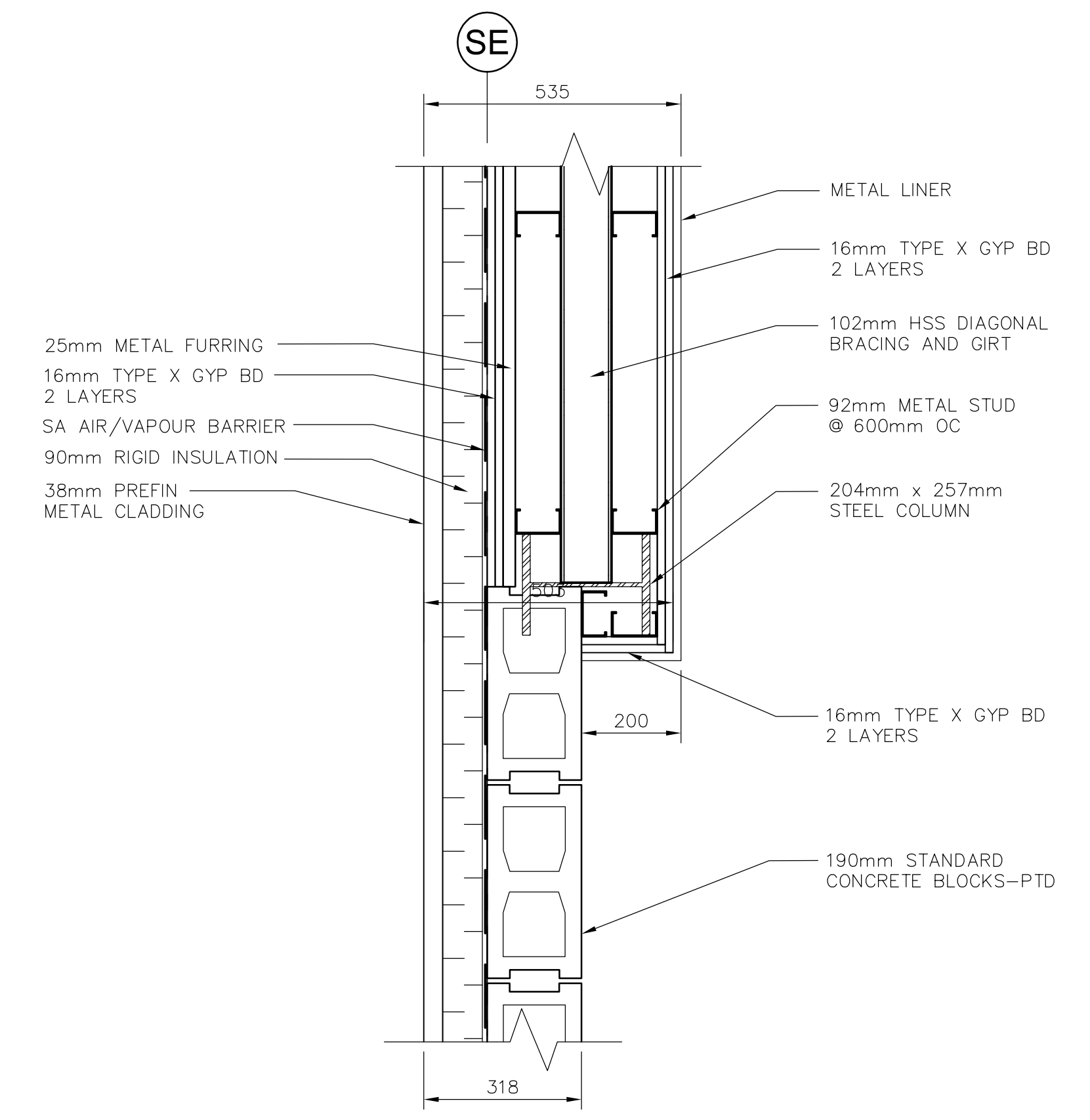
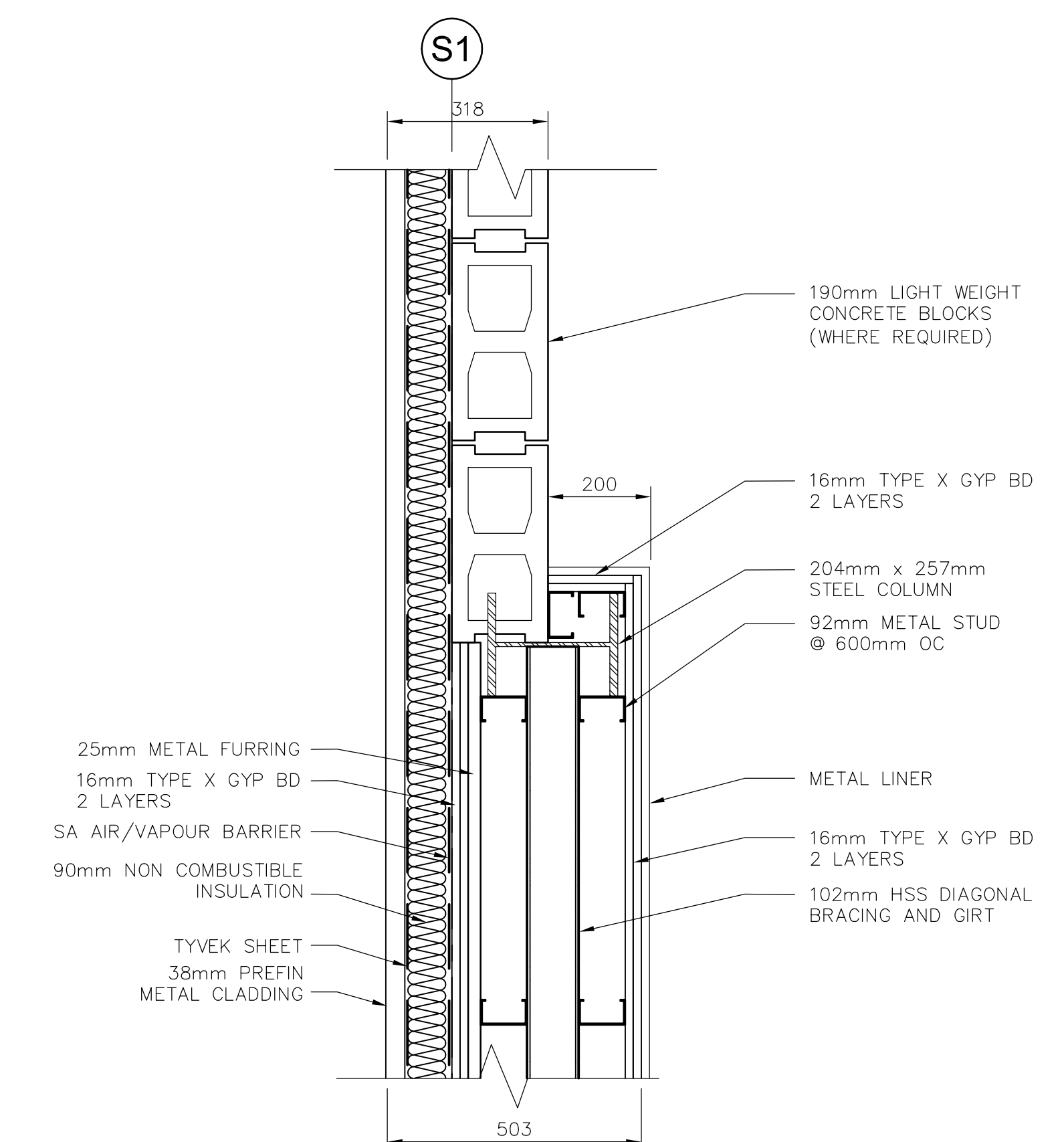


T.O. MAIN FLR
EL. 237.750



NO.	ISSUED FOR TENDER	07/01/31	AL	DATE	2006/10/02	DATE	2007/01/31
00	ISSUED FOR TENDER	07/01/31	AL	DATE	2006/10/02	DATE	2007/01/31
	REVISIONS						

DESIGNED BY	NC	CHECKED BY	LK
DRAWN BY	AL	APPROVED BY	AHL
SCALE:	AS SHOWN	RELEASED FOR CONSTRUCTION BY:	R. SOROKOWSKI

ENGINEER'S SEAL
ORIGINAL SIGNED BY
NEIL COOPER
2007/01/31
CONSULTANT DRAWING NO.
WS-B0402

THE CITY OF WINNIPEG
WATER AND WASTE DEPARTMENT
ENGINEERING DIVISION

WATER TREATMENT PLANT
BULK CHEMICAL BUILDING
SODIUM HYPOCHLORITE AND CHEMICAL STORAGE BUILDING

ARCHITECTURAL
DETAILS

CITY FILE NUMBER
SHEET OF
CITY DRAWING NUMBER
1-0601S-A-B0402-001-000