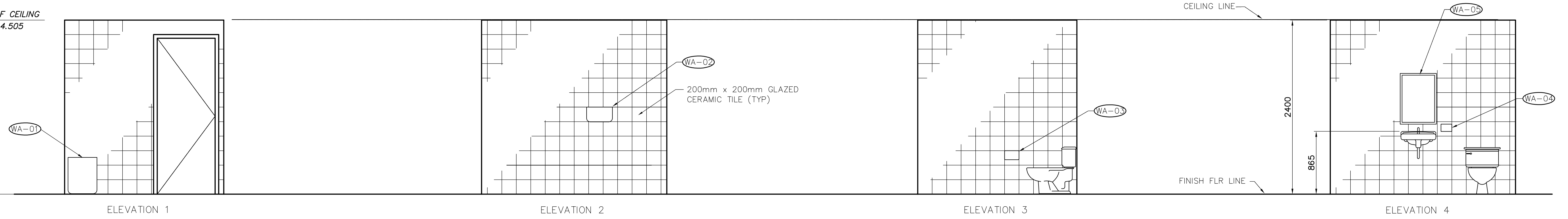
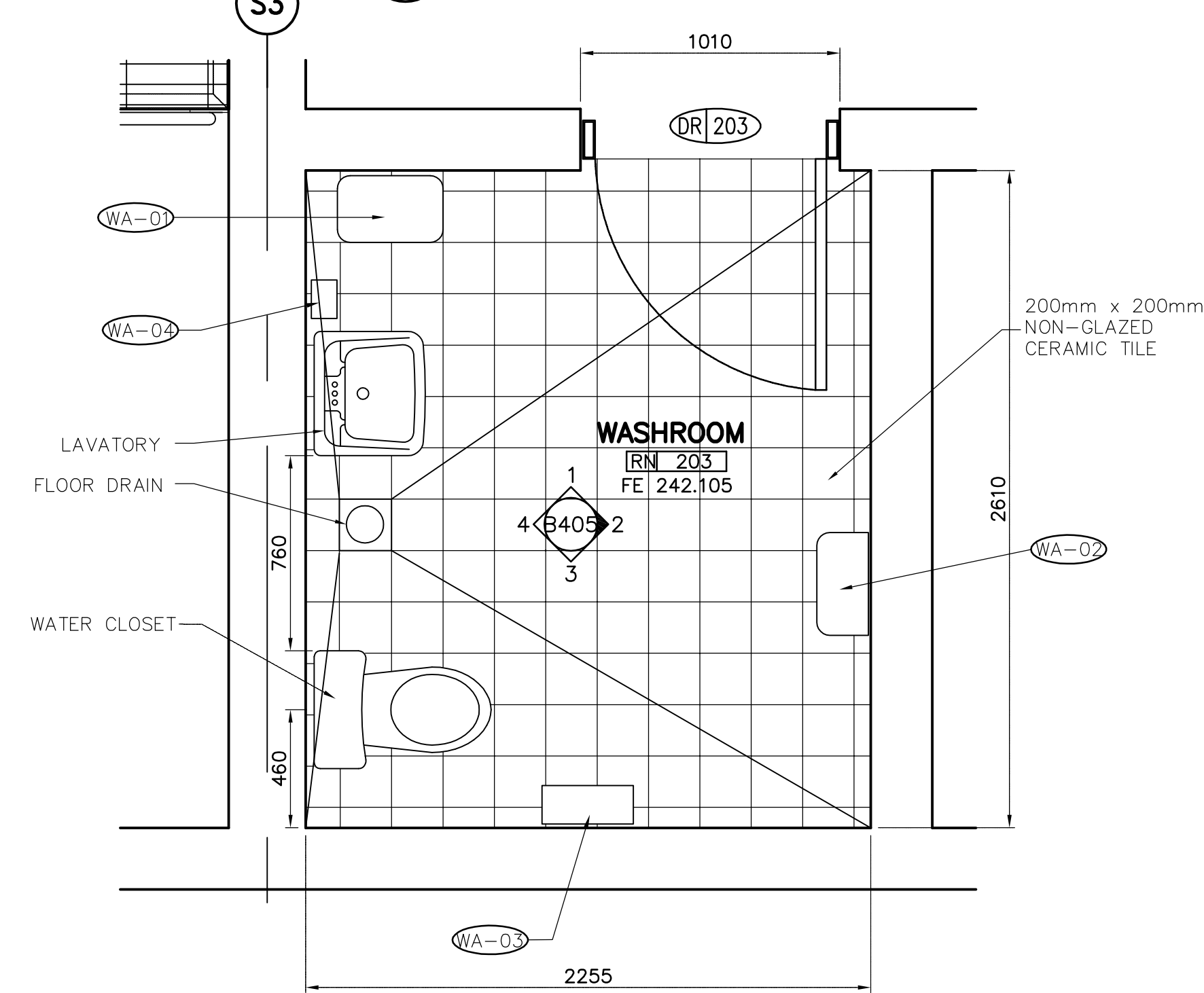


U/S OF CEILING  
EL. 244.505

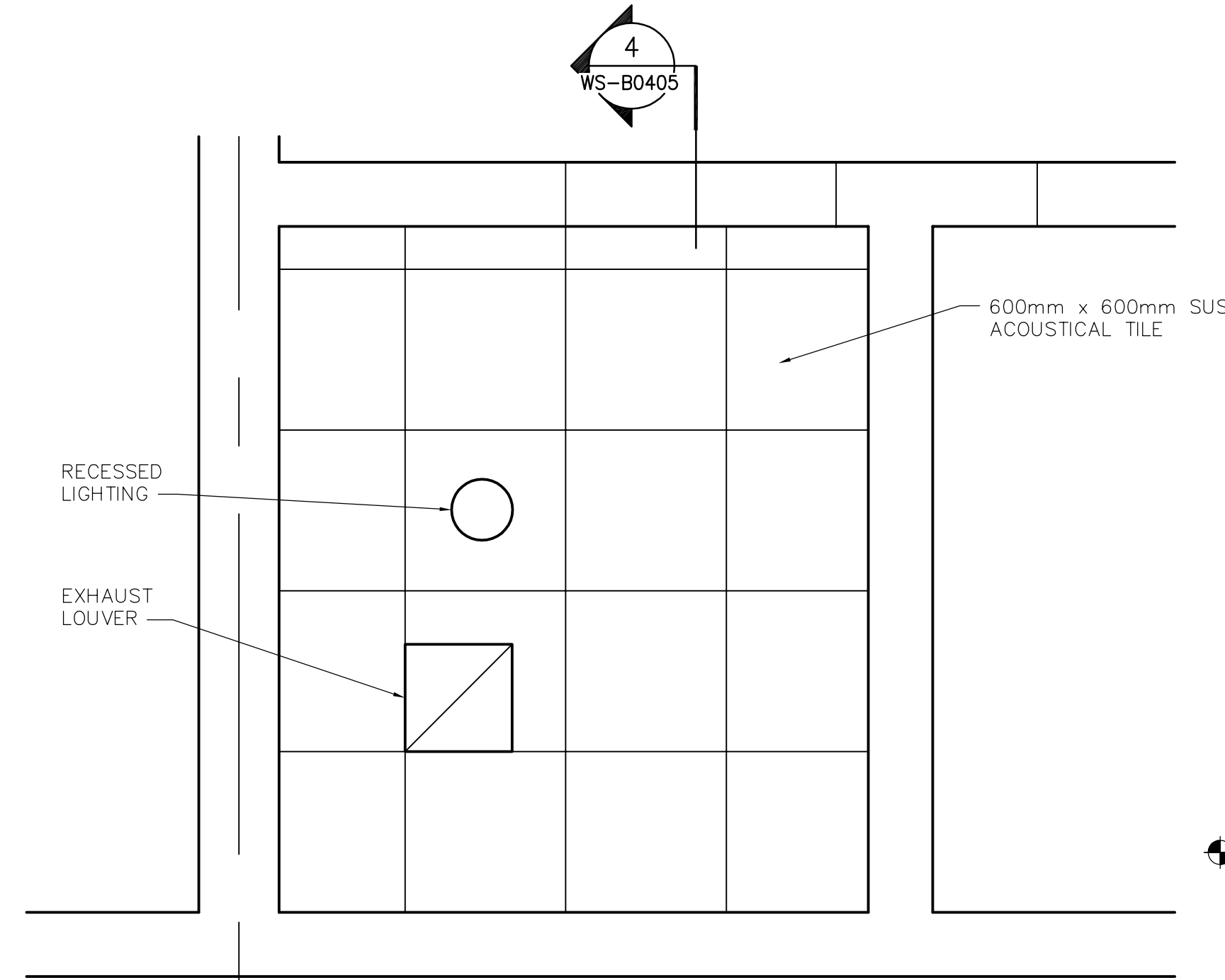
T.O. CONC  
EL. 242.105



5 INTERIOR ELEVATIONS  
WS-B0405 1:20

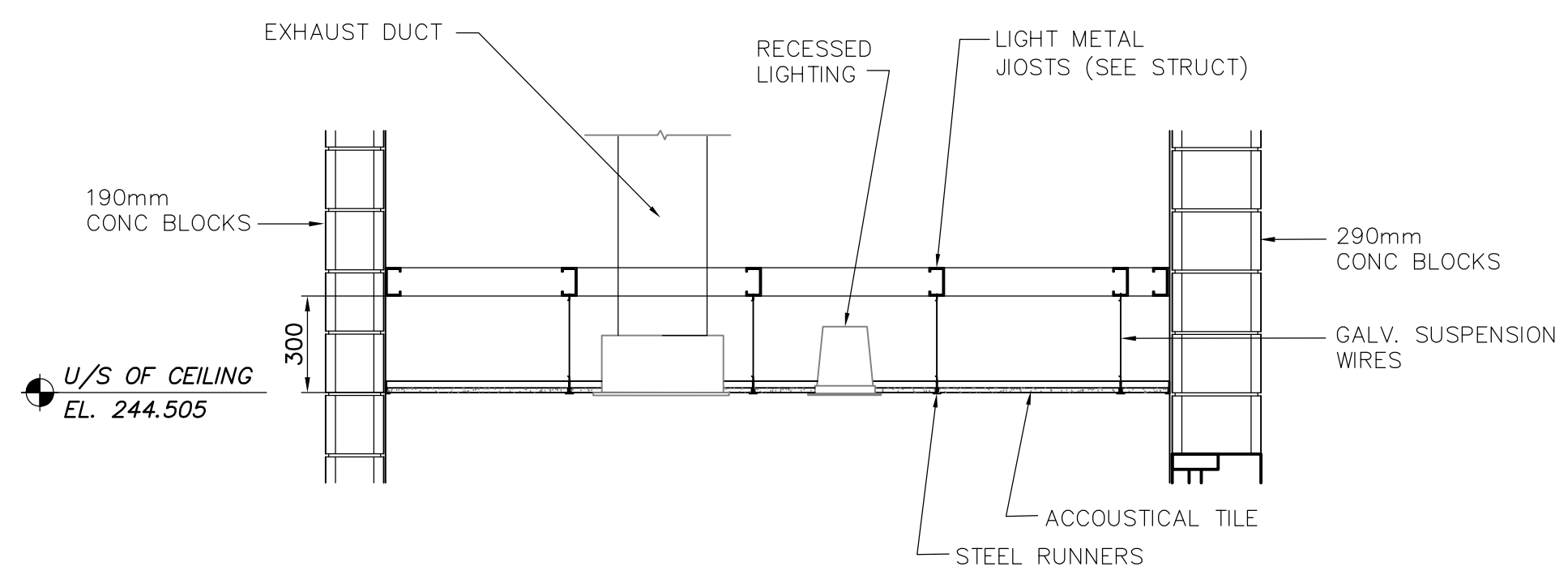


2 FLOOR PLAN OF WASHROOM  
WS-B0110 1:20

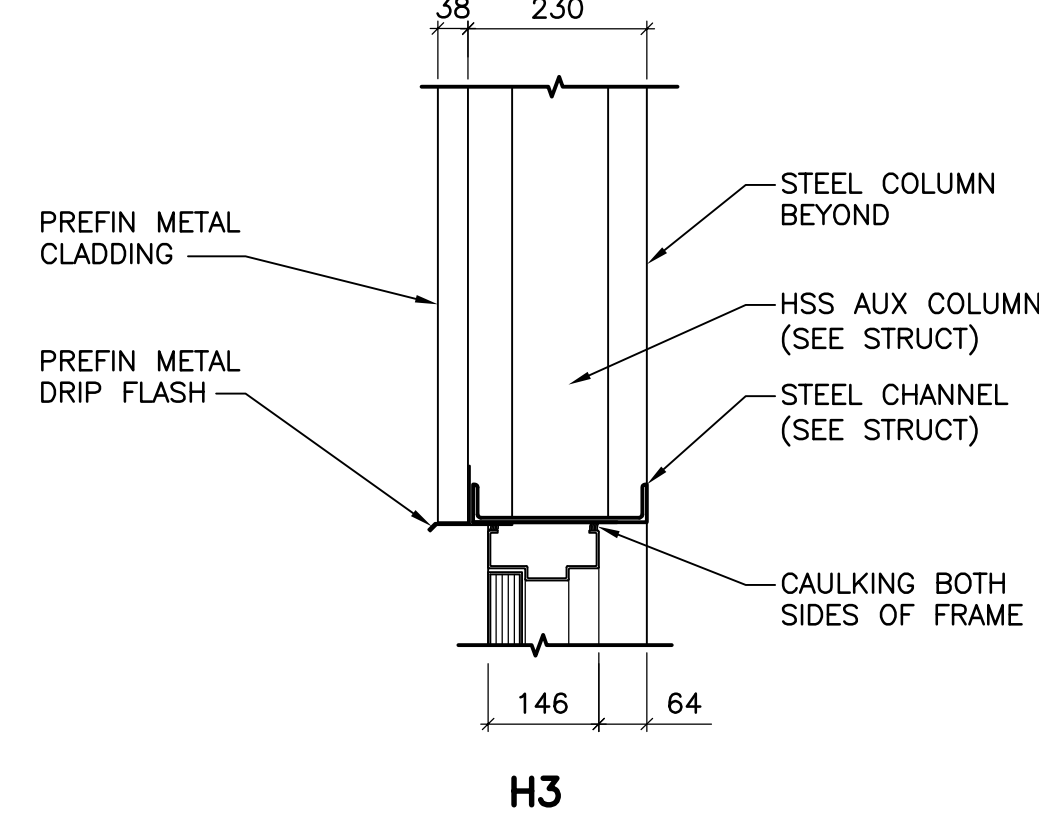
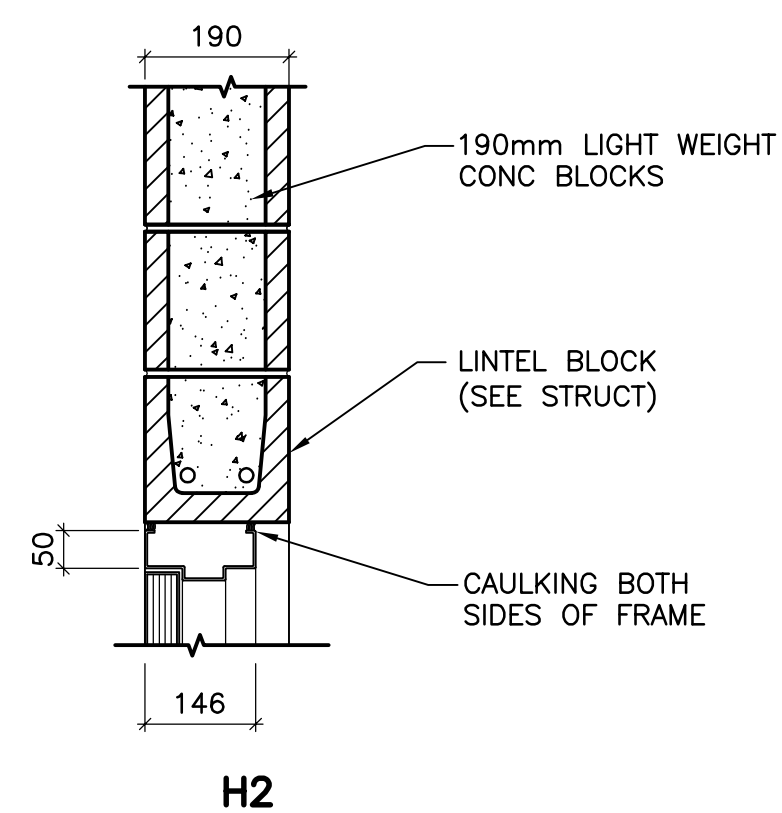
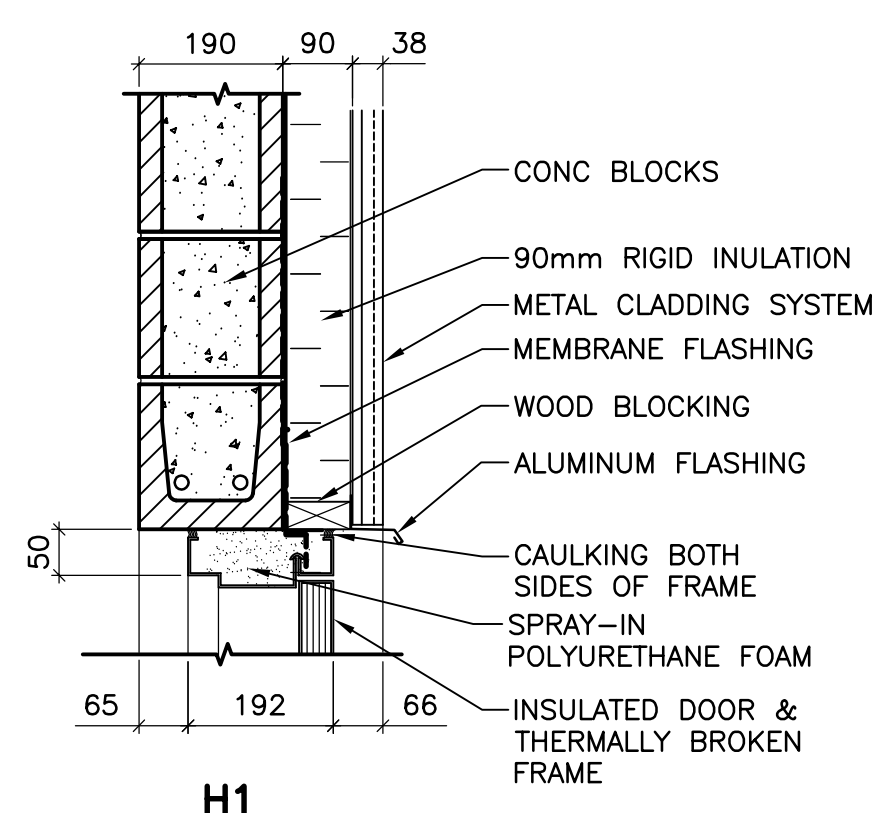


3 REFLECTED CEILING PLAN  
WS-B0405 1:20

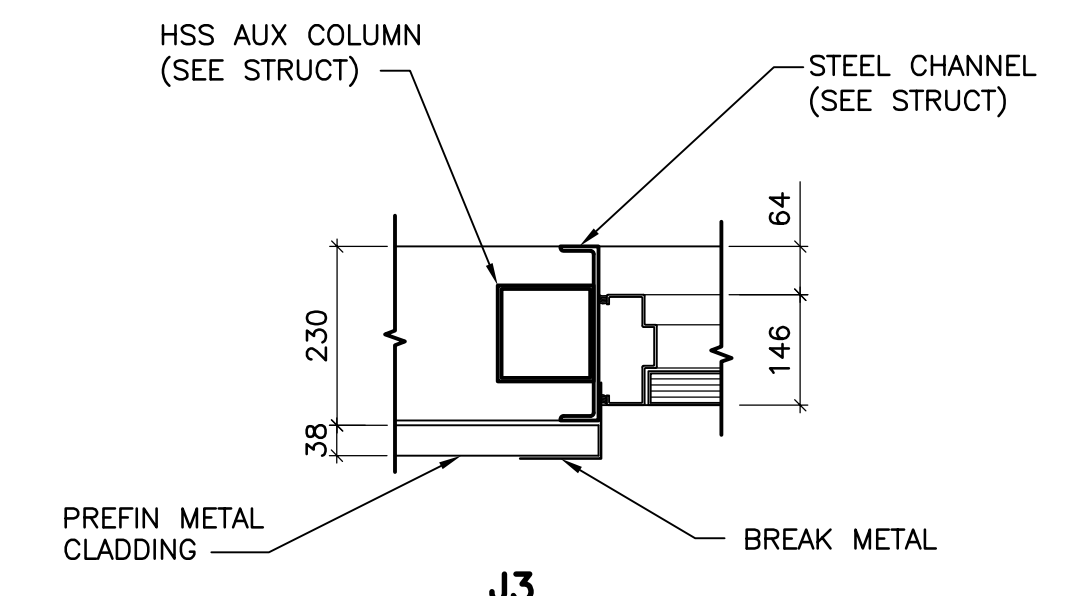
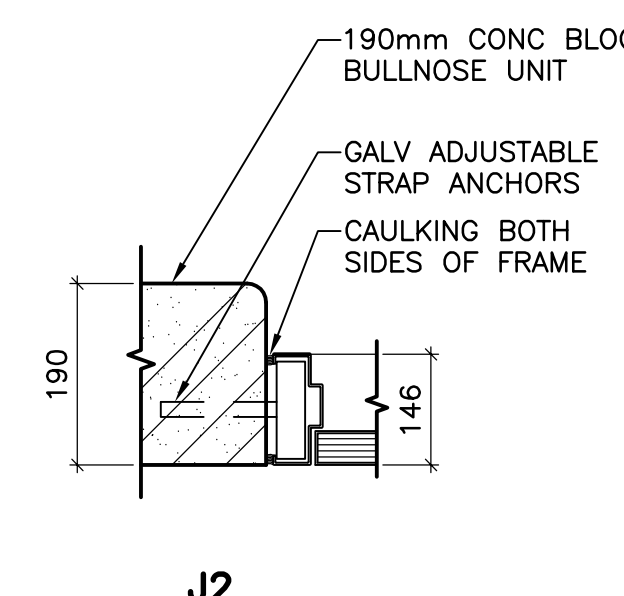
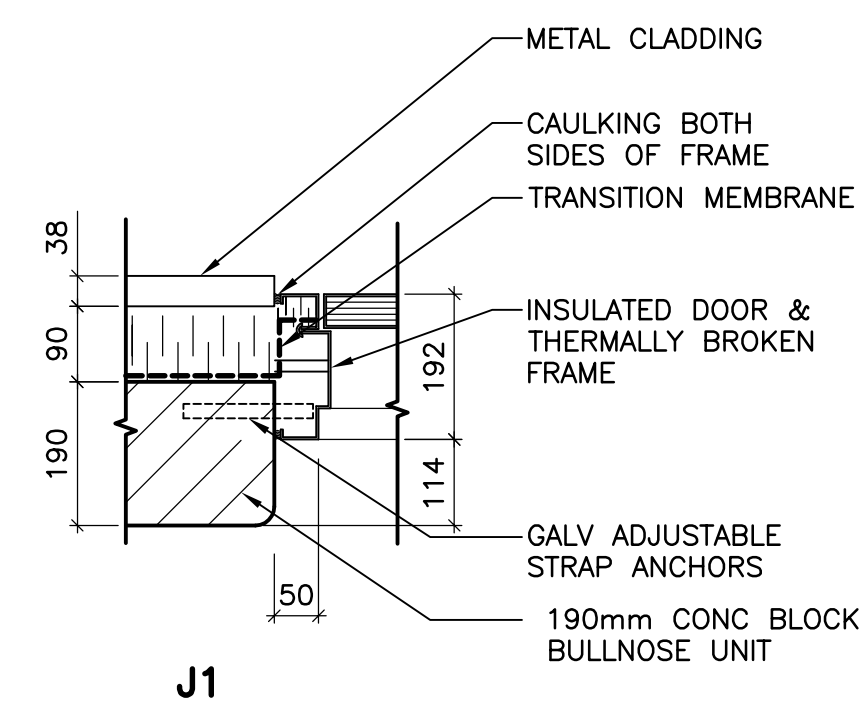
ACCESSORY SCHEDULE	
WA-01	TRASH BIN
WA-02	ELECTRIC HAND DRIER
WA-03	TOILET PAPER HOLDER
WA-04	SOAP DISPENSER
WA-05	MIRROR



4 SECTION AT SUSPENDED CEILING  
WS-B0405 1:20

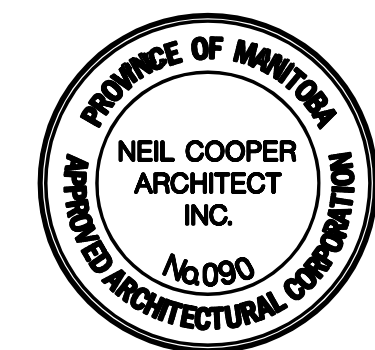


HEAD TYPES  
SCALE 1:10



JAMB TYPES  
SCALE 1:10

1 HEAD & JAMB DETAILS  
WS-B0405 1:20



B.M. ELEV.	
DESIGNED BY	NC
DRAWN BY	AL
SCALE:	AS NOTED
00 ISSUED FOR TENDER	07/01/31 AL
NO. REVISIONS	DATE BY
	2006/09/01



DESIGNED BY	NC	CHECKED BY	LK
DRAWN BY	AL	APPROVED BY	AHL
SCALE:	AS NOTED	RELEASED FOR CONSTRUCTION BY:	R. SOROKOWSKI
	DATE	DATE	2007/01/31

ENGINEER'S SEAL	
ORIGINAL SIGNED BY	NEIL COOPER
	2007/01/31
CONSULTANT DRAWING NO.	WS-B0405

**THE CITY OF WINNIPEG**  
WATER AND WASTE DEPARTMENT  
ENGINEERING DIVISION

WATER TREATMENT PLANT  
BULK CHEMICAL BUILDING  
SODIUM HYPOCHLORITE AND CHEMICAL STORAGE BUILDING

ARCHITECTURAL  
WASHROOM DETAILS & DOOR JAMB/HEAD DETAILS

CITY FILE NUMBER  
SHEET OF  
CITY DRAWING NUMBER  
1-06018-A-B0405-001-00D