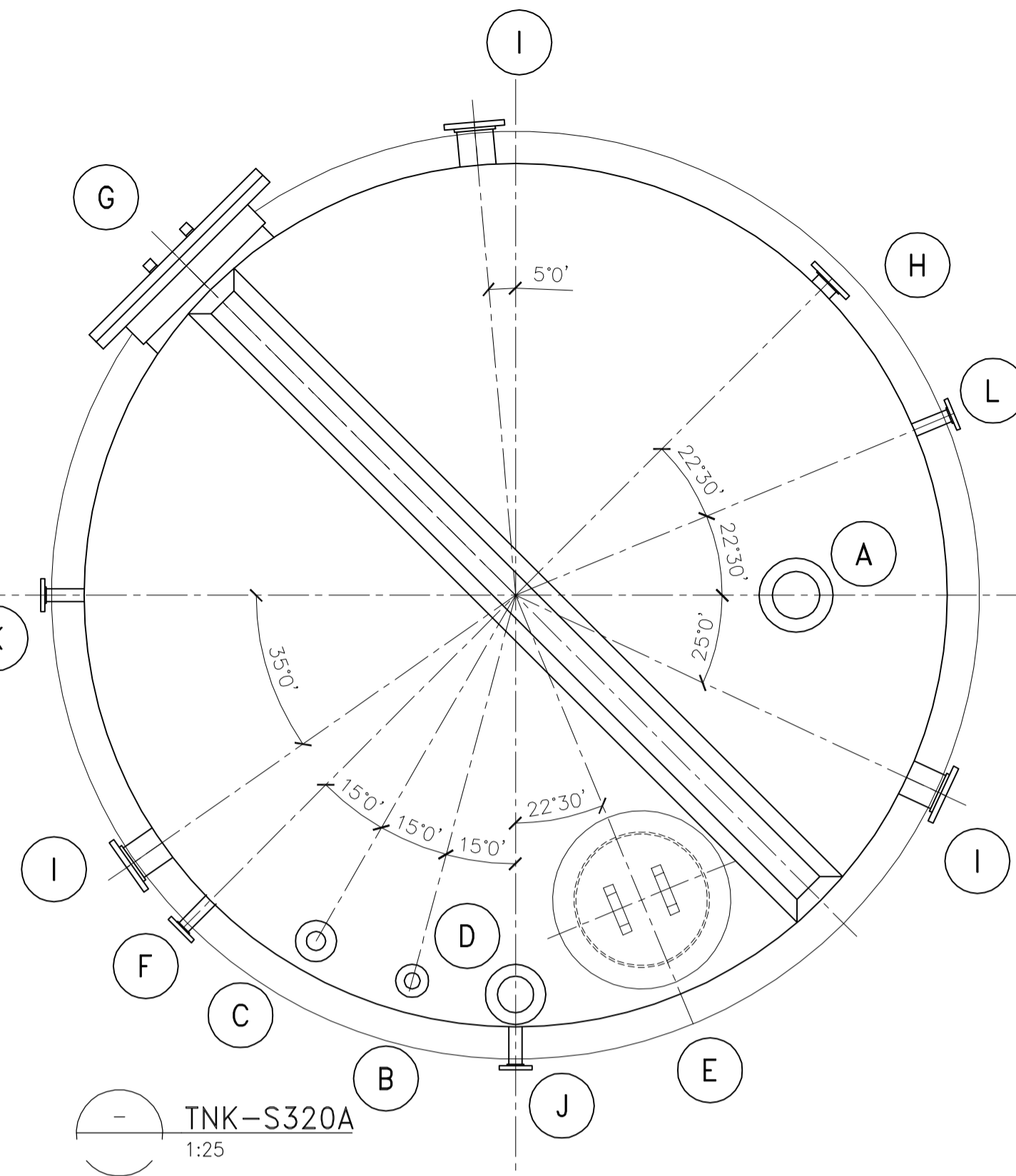
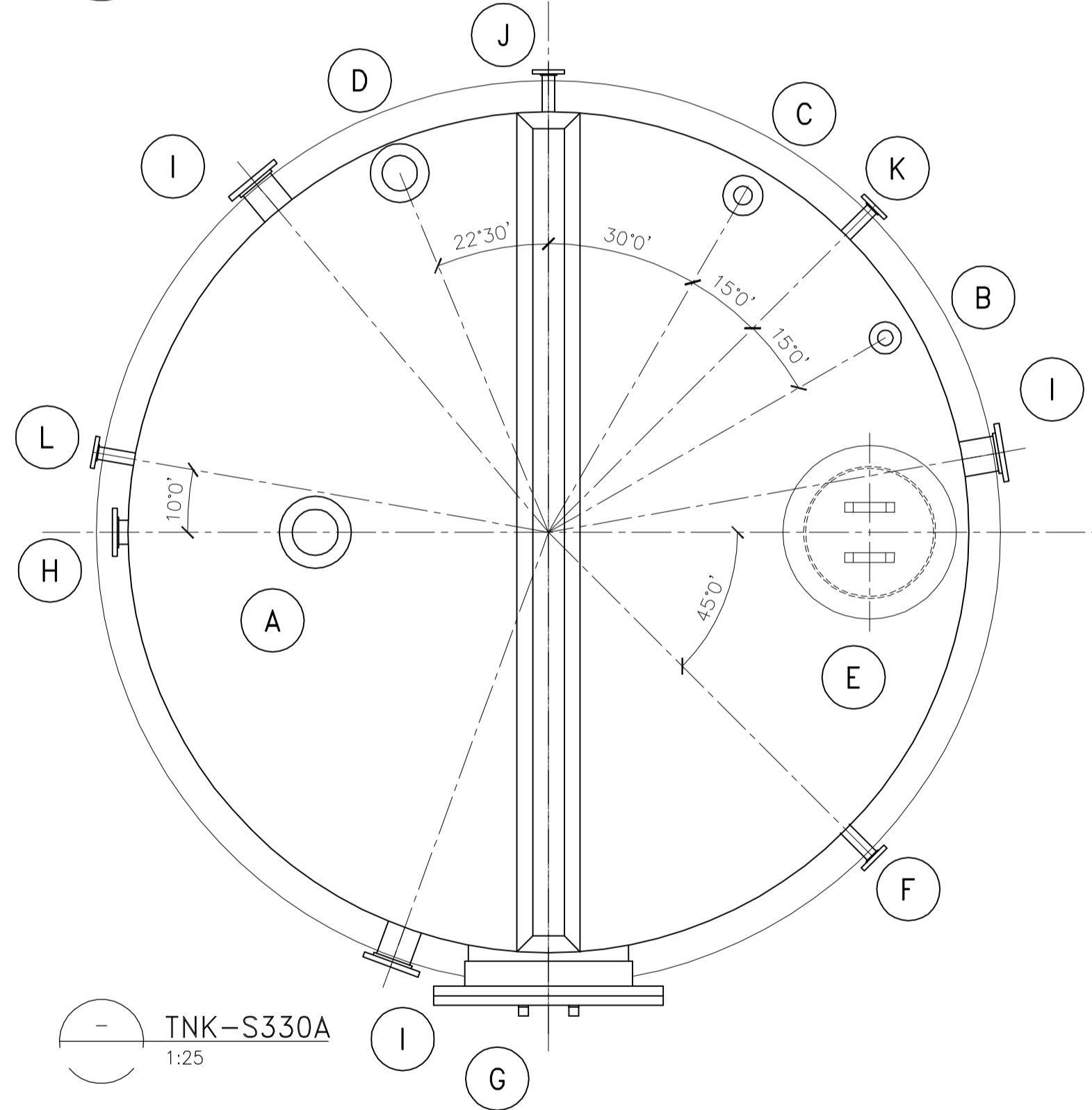


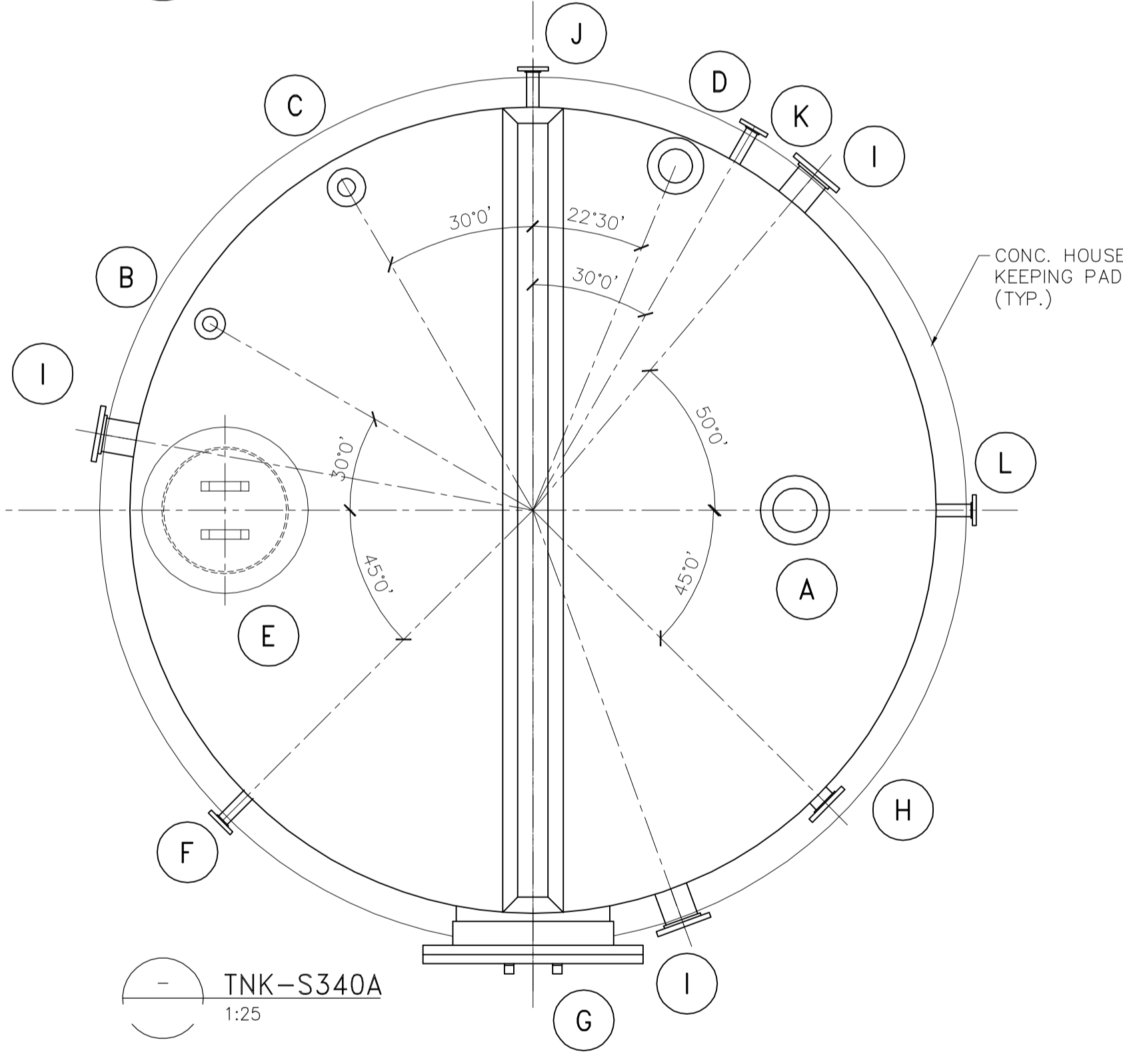
TNK-S310A  
1:25



TNK-S320A  
1:25

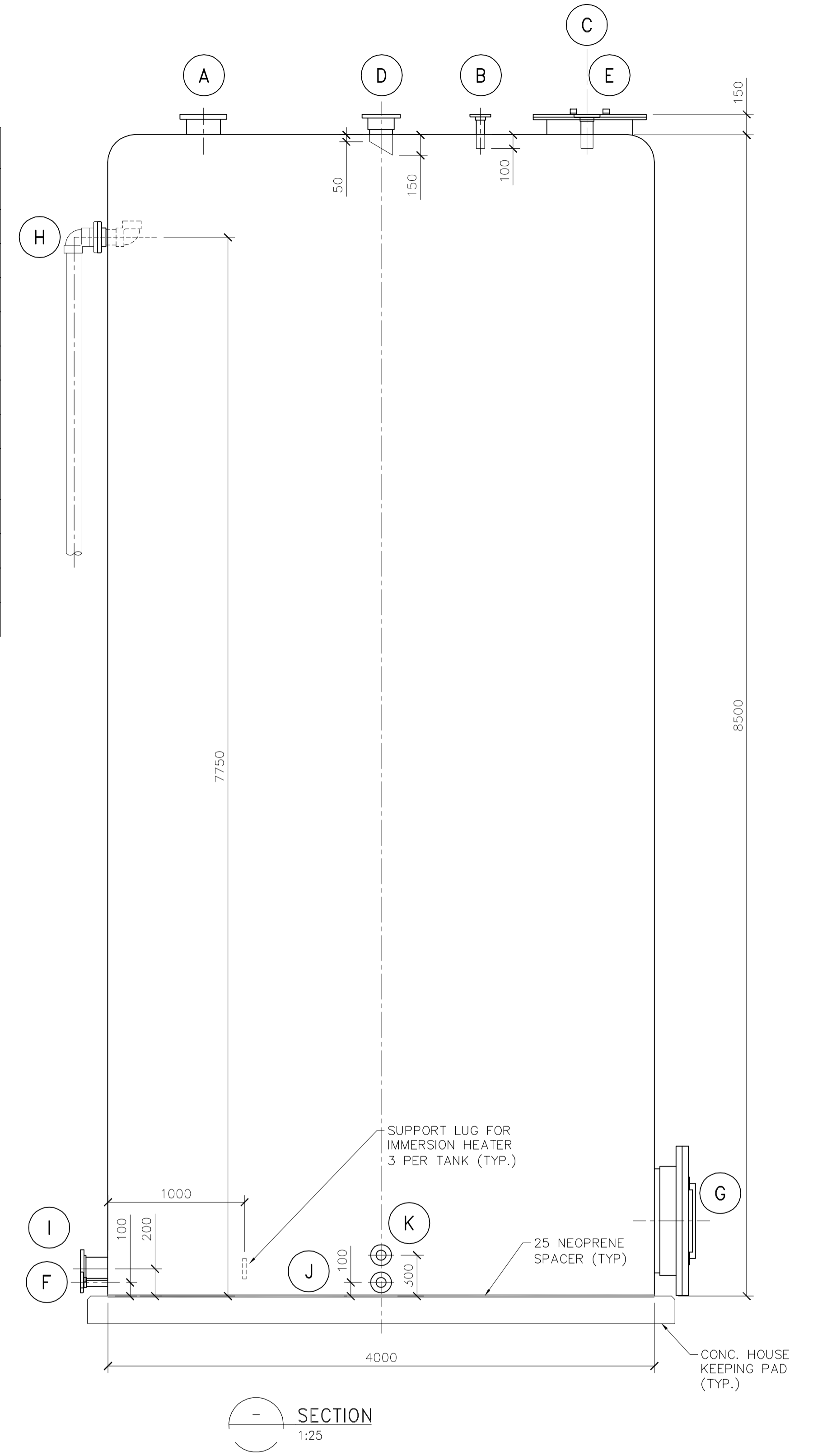


TNK-S330A  
1:25



TNK-S340A  
1:25

NOZZLE SCHEDULE		
ITEM No.	SIZE	SERVICE
A	200	VENT
B	50	FILL
C	75	FILL
D	100	LEVEL ELEMENT
E	600	MANWAY
F	50	SUCTION
G	750	MANWAY
H	100	OVERFLOW C/W INTERNAL LR 90° ELBOW
I	-	HEATER
J	50	DRAIN
K	50	LEVEL GAUGE
L	50	TEMPERATURE TRANSMITTER



SECTION  
1:25

NOTES:  
1. SEE STRUCTURAL DRAWINGS FOR HOUSE KEEPING PAD DETAILS.

**APEGM**  
Certificate of Authorization  
Earth Tech Canada Inc.  
No. 730 Expiry: April 30, 2007

B.M. ELEV.			
DESIGNED BY	SBW	CHECKED BY	SRB
DRAWN BY	JBC	APPROVED BY	AHL
SCALE:	AS NOTED	RELEASED FOR CONSTRUCTION BY:	R. SOROKOWSKI
NO.	ISSUED FOR TENDER	DATE	07/01/31
NO.	REVISIONS	DATE	BY

**CH2MHILL**  
Frederickson Cooper ARCHITECTS

**EarthTech**  
A Tyco International Ltd. Company

DESIGNED BY SBW CHECKED BY SRB  
DRAWN BY JBC APPROVED BY AHL  
SCALE: AS NOTED  
RELEASED FOR CONSTRUCTION BY: R. SOROKOWSKI

DATE 2006/03/15 DATE 2007/01/31

ENGINEER'S SEAL  
ORIGINAL SIGNED BY  
S.B. WILLIAMSON  
2007/01/31  
CONSULTANT DRAWING NO.  
WS-M0451

**THE CITY OF WINNIPEG**  
WATER AND WASTE DEPARTMENT  
ENGINEERING DIVISION

WATER TREATMENT PLANT  
BULK CHEMICAL BUILDING  
SODIUM HYPOCHLORITE AND CHEMICAL STORAGE BUILDING

PROCESS MECHANICAL  
SODIUM HYDROXIDE  
TANK DETAILS

CITY FILE NUMBER  
SHEET OF  
CITY DRAWING NUMBER  
1-0601S-A-M0451-001-000