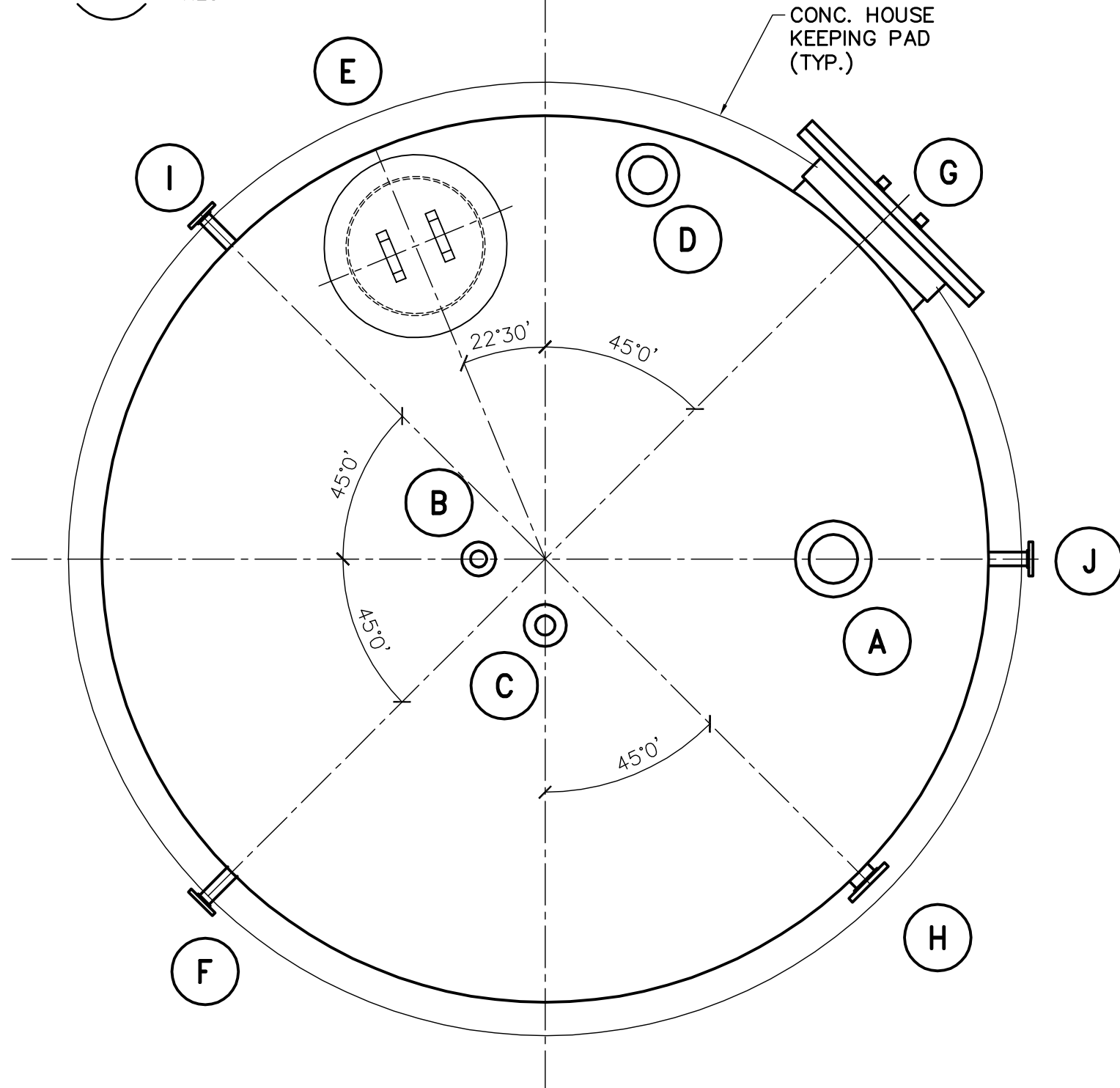
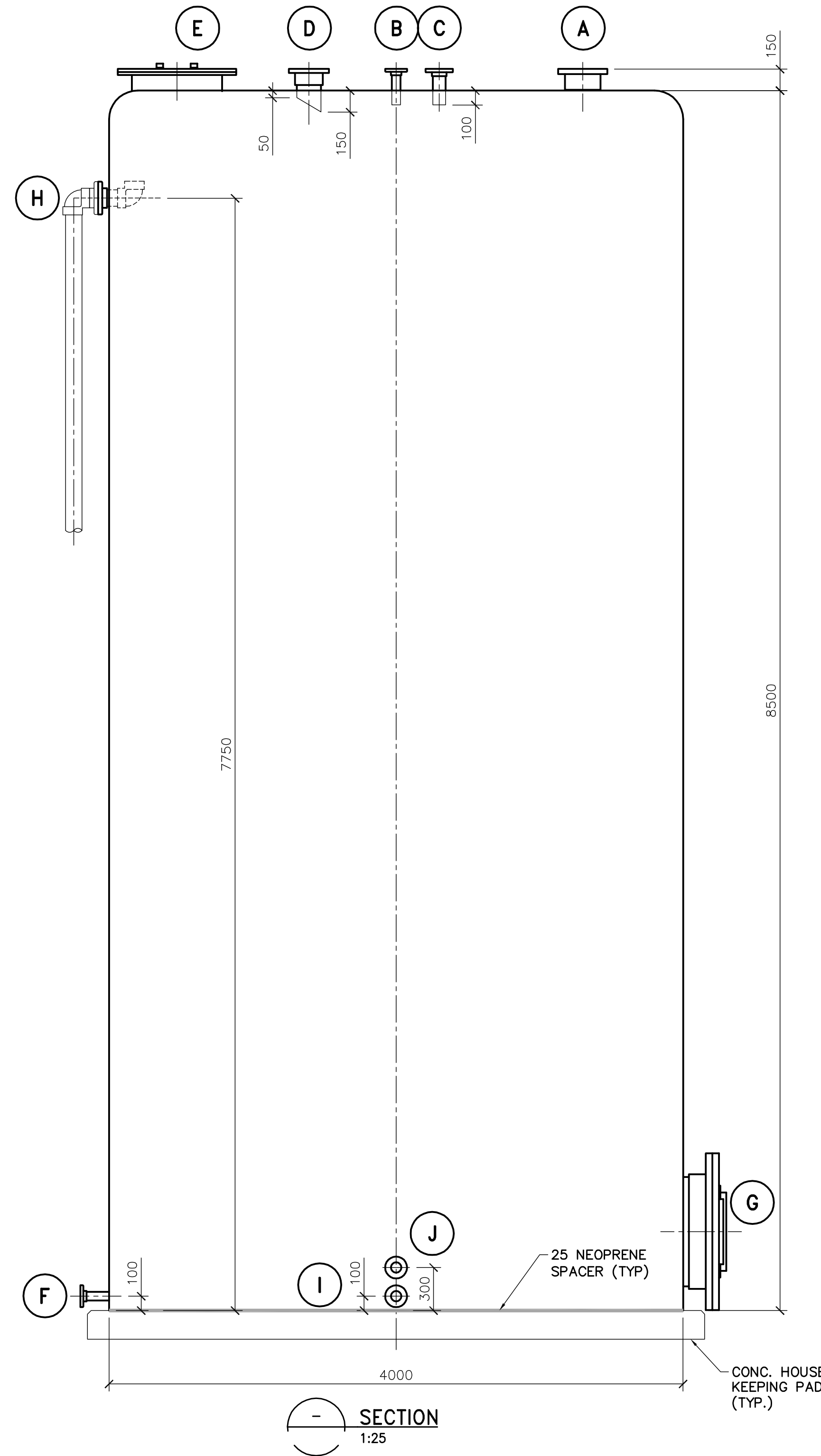


TNK-S210A
1:25

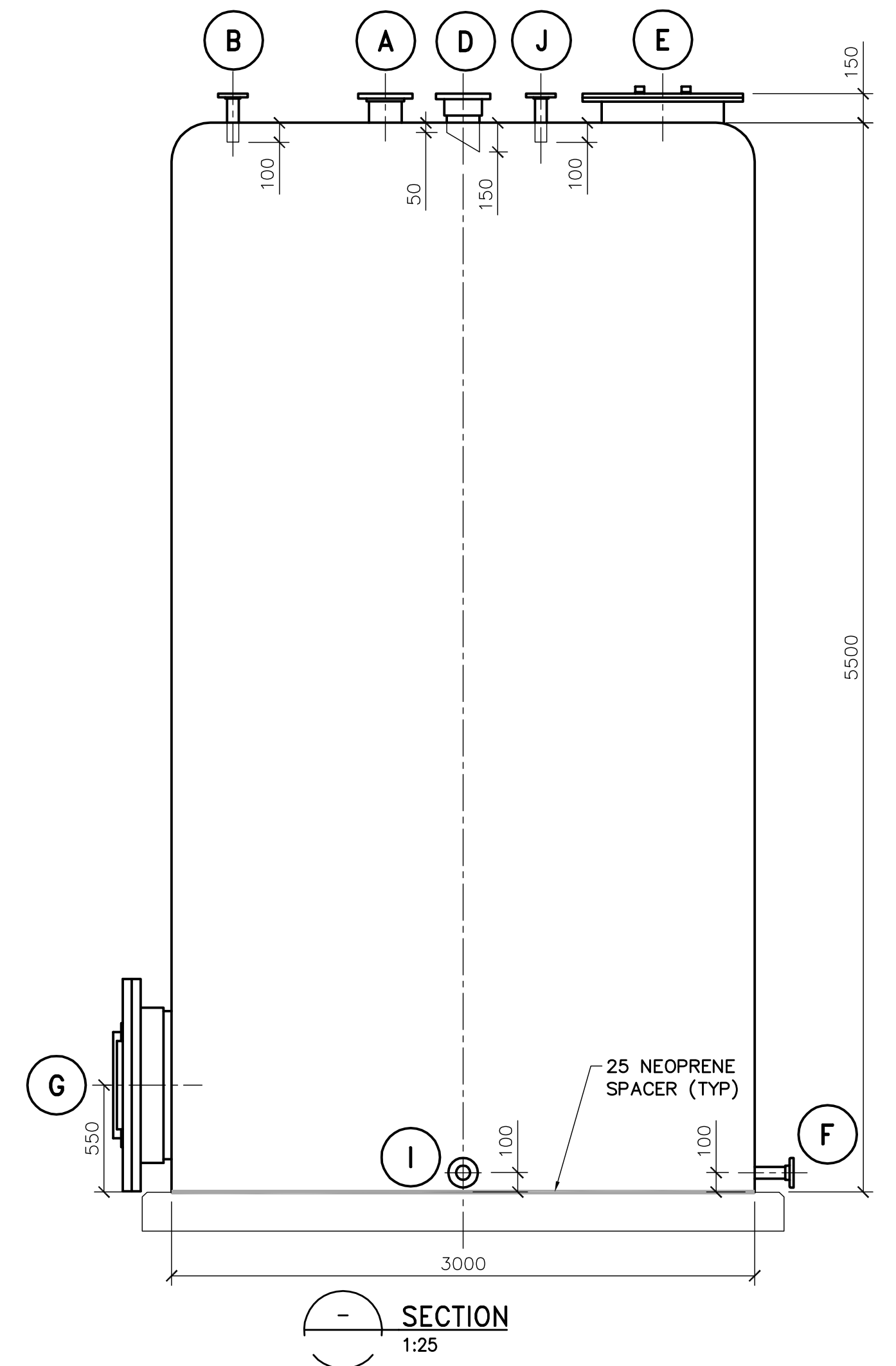
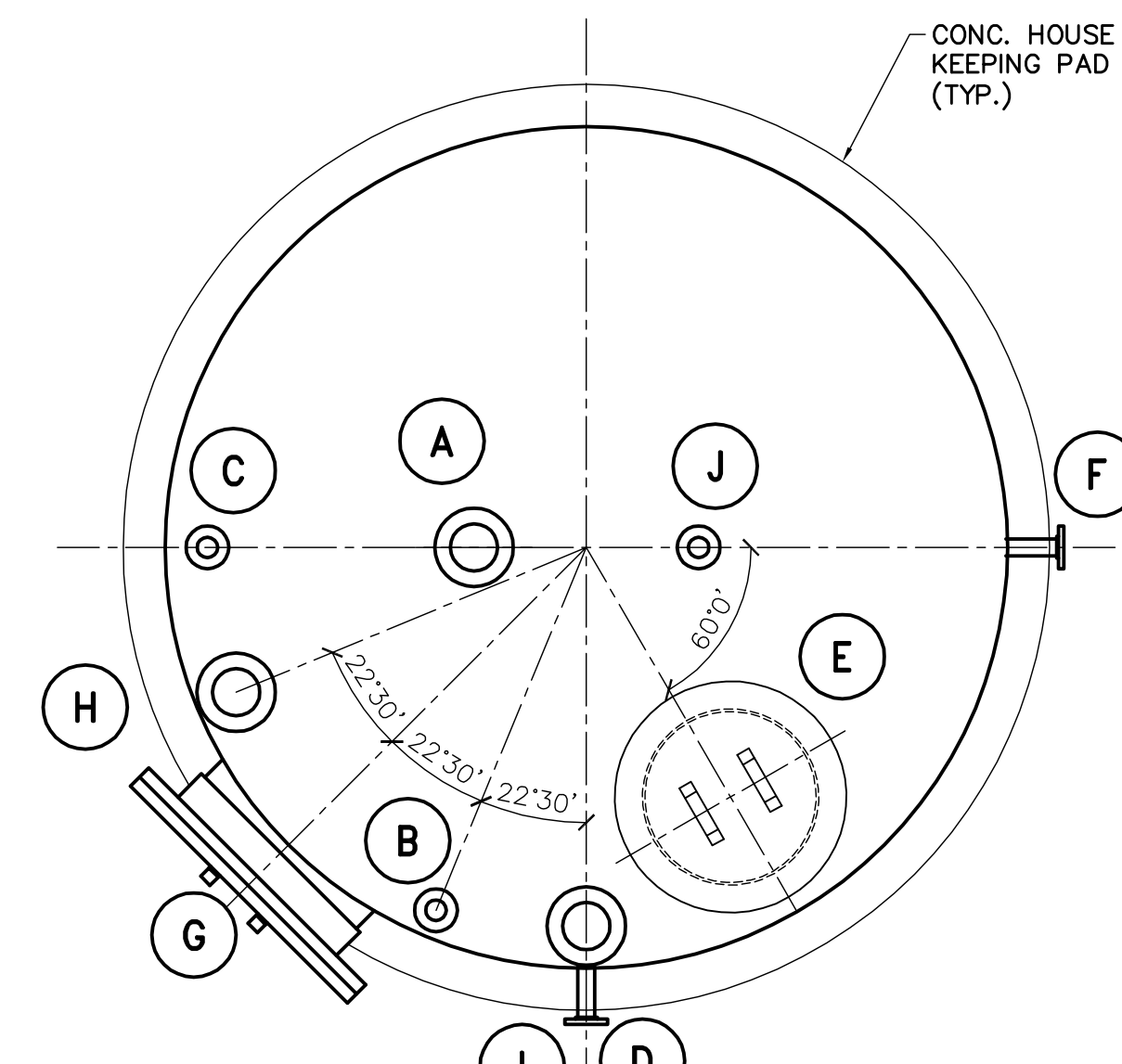


TNK-S220A
1:25



TNK-S410A
1:25

TNK-S420A
1:25



SECTION
1:25

NOZZLE SCHEDULE

ITEM No.	SIZE	SERVICE
A	200	VENT
B	50	FILL
C	75	FILL
D	100	LEVEL ELEMENT
E	600	MANWAY
F	50	SUCTION
G	750	MANWAY
H	100	OVERFLOW C/W INTERNAL LR 90° ELBOW
I	50	DRAIN
J	50	LEVEL GAUGE

NOZZLE SCHEDULE

ITEM No.	SIZE	SERVICE
A	150	VENT
B	50	FILL
C	50	VACUUM RELIEF
D	100	LEVEL ELEMENT
E	600	MANWAY
F	50	SUCTION
G	750	MANWAY
H	100	LEVEL ELEMENT
I	50	DRAIN
J	50	TRAP DRAIN

NOTES:
1. SEE STRUCTURAL DRAWINGS FOR HOUSE KEEPING PAD DETAILS.

 Certificate of Authorization Earth Tech Canada Inc. No. 730 Expiry: April 30, 2007	B.M. ELEV.	 Frederickson Cooper ARCHITECTS	 A Tyco International Ltd. Company	ENGINEER'S SEAL	 THE CITY OF WINNIPEG WATER AND WASTE DEPARTMENT ENGINEERING DIVISION		
				DESIGNED BY SBW		CHECKED BY SRB	ORIGINAL SIGNED BY S.B. WILLIAMSON
				DRAWN BY JBC		APPROVED BY AHL	2007/01/31
				SCALE: AS NOTED		RELEASED FOR CONSTRUCTION BY: R. SOROKOWSKI	CONSULTANT DRAWING NO. WS-M0452
	00 ISSUED FOR TENDER 07/01/31 JBC	NO. REVISIONS	DATE BY DATE 2006/03/15	DATE 2007/01/31	WATER TREATMENT PLANT BULK CHEMICAL BUILDING SODIUM HYPOCHLORITE AND CHEMICAL STORAGE BUILDING		
					PROCESS MECHANICAL SULPHURIC ACID / AQUA AMMONIA TANK DETAILS		
					CITY FILE NUMBER SHEET OF CITY DRAWING NUMBER 1-0601S-A-M0452-001-000		