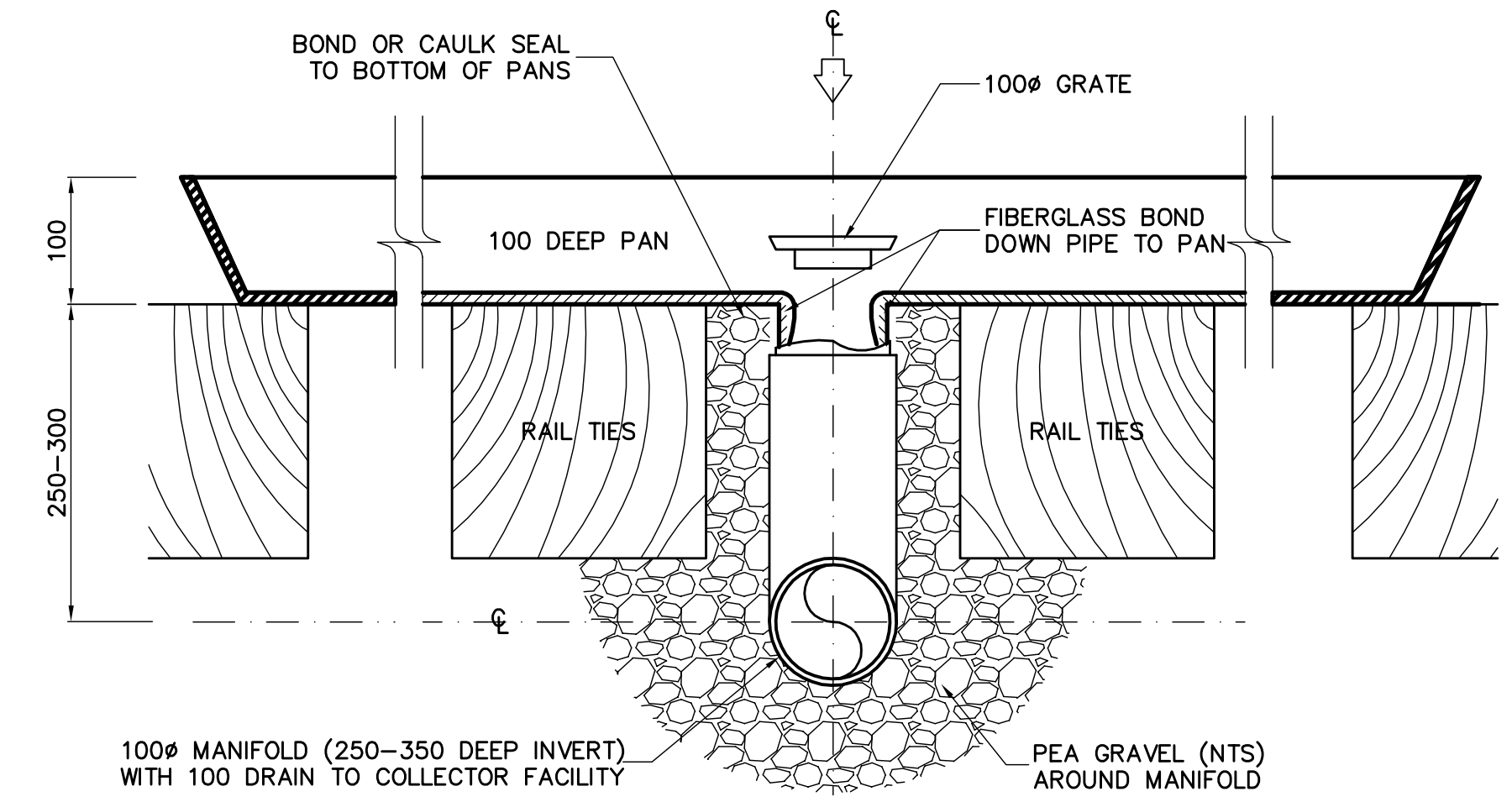
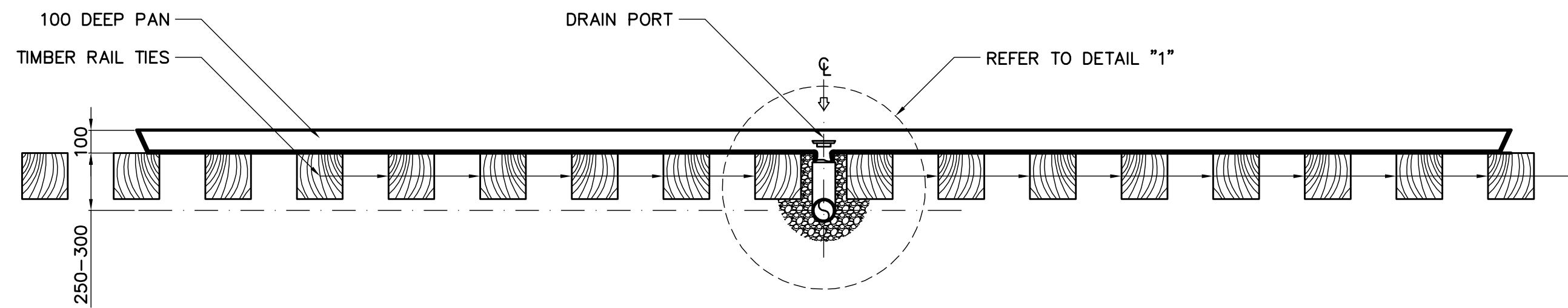


1 PLAN  
- 1:5



3 DETAIL  
- 1:5



2 SECTION  
- 1:5

STAR TRACK CONTAINMENT SYSTEM

**MATERIAL:** FIBERGLASS RESIN & GLASS MAT HEAVY DUTY COMPOSITE WALLS & DECK WALL THICKNESS 13.  
**NOTE:** PLUMBING MUST TRAVEL BENEATH TRACKS (AS SHOWN).

 Certificate of Authorization Earth Tech Canada Inc. No. 730 Expiry: April 30, 2007	B.M. ELEV.	 Frederickson Cooper ARCHITECTS	 A Tyco International Ltd. Company	ENGINEER'S SEAL	 THE CITY OF WINNIPEG WATER AND WASTE DEPARTMENT ENGINEERING DIVISION		
				DESIGNED BY SBW		CHECKED BY SRB	ORIGINAL SIGNED BY S.B. WILLIAMSON
				DRAWN BY SRP		APPROVED BY AHL	2007/01/31
				SCALE: AS NOTED		RELEASED FOR CONSTRUCTION BY: R. SOROKOWSKI	CONSULTANT DRAWING NO. WS-M0453
	00 ISSUED FOR TENDER 07/01/31 JBC	DATE 2006/10/26	DATE 2007/01/31		WATER TREATMENT PLANT BULK CHEMICAL BUILDING SODIUM HYPOCHLORITE AND CHEMICAL STORAGE BUILDING	CITY FILE NUMBER	
	NO. REVISIONS	DATE	BY		PROCESS MECHANICAL CHEMICAL SPILL CONTAINMENT PLAN, SECTION AND DETAILS	SHEET OF	
						CITY DRAWING NUMBER	
						1-0601S-A-M0453-001-000	