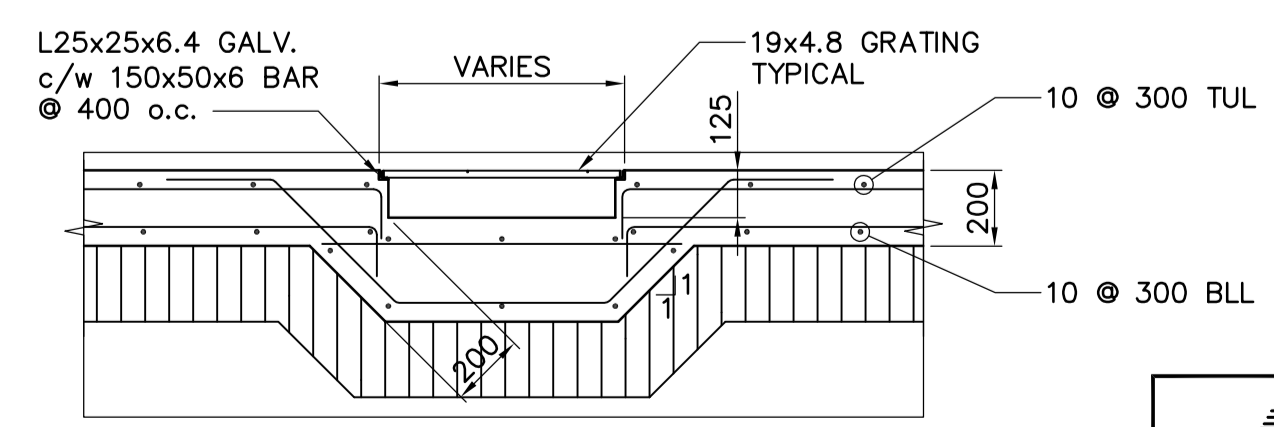


MAIN FLOOR FRAMING PLAN
1:75

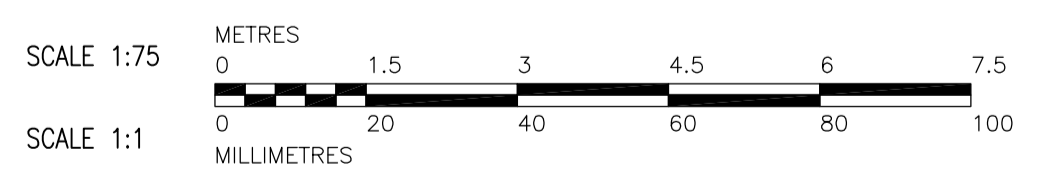
DESIGN LOADS:

1. DEAD LOADS:	1.) STRUCTURE SELF WEIGHT	
	2.) ROOFING =	0.40 kPa
	3.) MECHANICAL LOAD =	1.20 kPa
	4.) EQUIPMENT LOAD =	AS SHOWN
2. LIVE LOADS	1.) GROUND SNOW LOAD -	S _s = 1.70 kPa S _r = 0.20 kPa MODIFY FOR EXPOSURE & DRIFT AS PER NBC 1995.
	2.) WIND =	q (1/100) PER NBC
	3.) OCCUPANCY (ROOF)	1.00 kPa



SECTION 1
WS-S0110 1:20

- DRAWING NOTES:**
1. REFER TO DRAWING WS-S0421 TO WS-S0423 FOR STAIR DETAILS.
 2. FOR CONCRETE BEAM SIZES AND DIMENSIONS SEE DWG. WS-S0100.
 3. FOR EQUIPMENT LOCATION REFER TO MECHANICAL DWGS.
 4. ALL BASEPLATES ARE SC-3 UNLESS OTHERWISE NOTED.



B.M. ELEV.					
DESIGNED BY	ARA	CHECKED BY	AP	ENGINEER'S SEAL	
DRAWN BY	WDB	APPROVED BY	AHL	ORIGINAL SIGNED BY	A. POCHANART
SCALE:	AS NOTED	RELEASED FOR CONSTRUCTION BY:	R. SOROKOWSKI	DATE	2007/01/31
ISSUED FOR TENDER	07/01/31	DATE	2006/08/31	CONSULTANT DRAWING NO.	WS-S0110
NO. REVISIONS		DATE			

CH2MHILL
Frederickson Cooper ARCHITECTS

EarthTech
A Tyco International Ltd. Company

THE CITY OF WINNIPEG
WATER AND WASTE DEPARTMENT
ENGINEERING DIVISION

WATER TREATMENT PLANT
BULK CHEMICAL BUILDING
SODIUM HYPOCHLORITE AND CHEMICAL STORAGE BUILDING

STRUCTURAL
MAIN FLOOR FRAMING PLAN

CITY FILE NUMBER
SHEET OF
CITY DRAWING NUMBER
1-6016-A-S010-001-00D