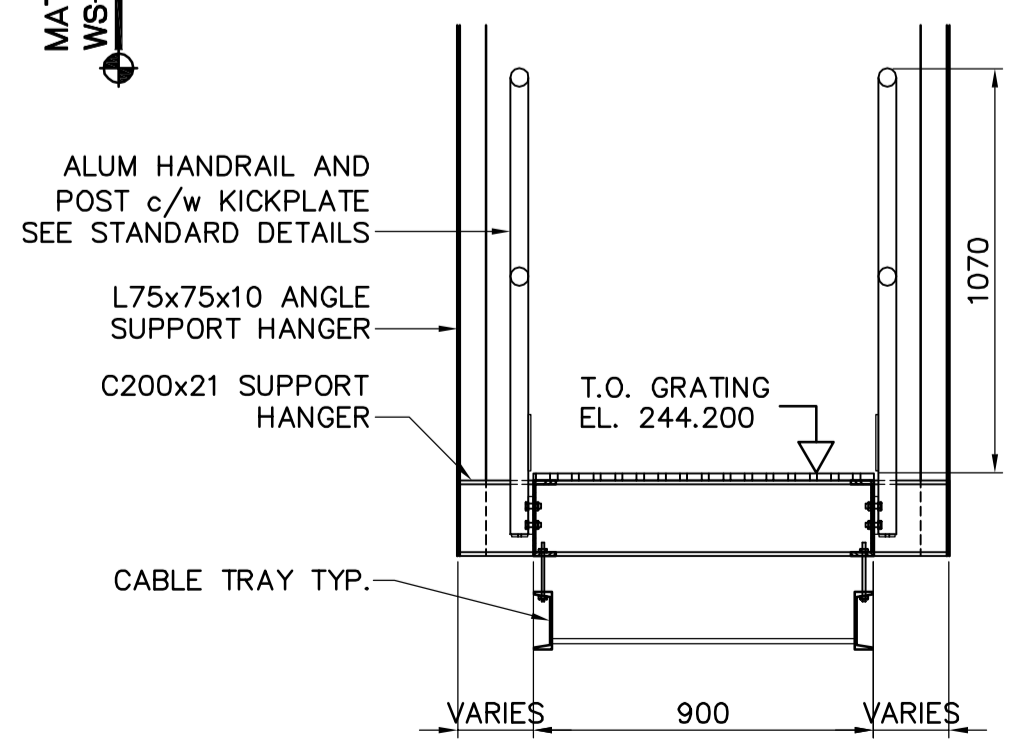
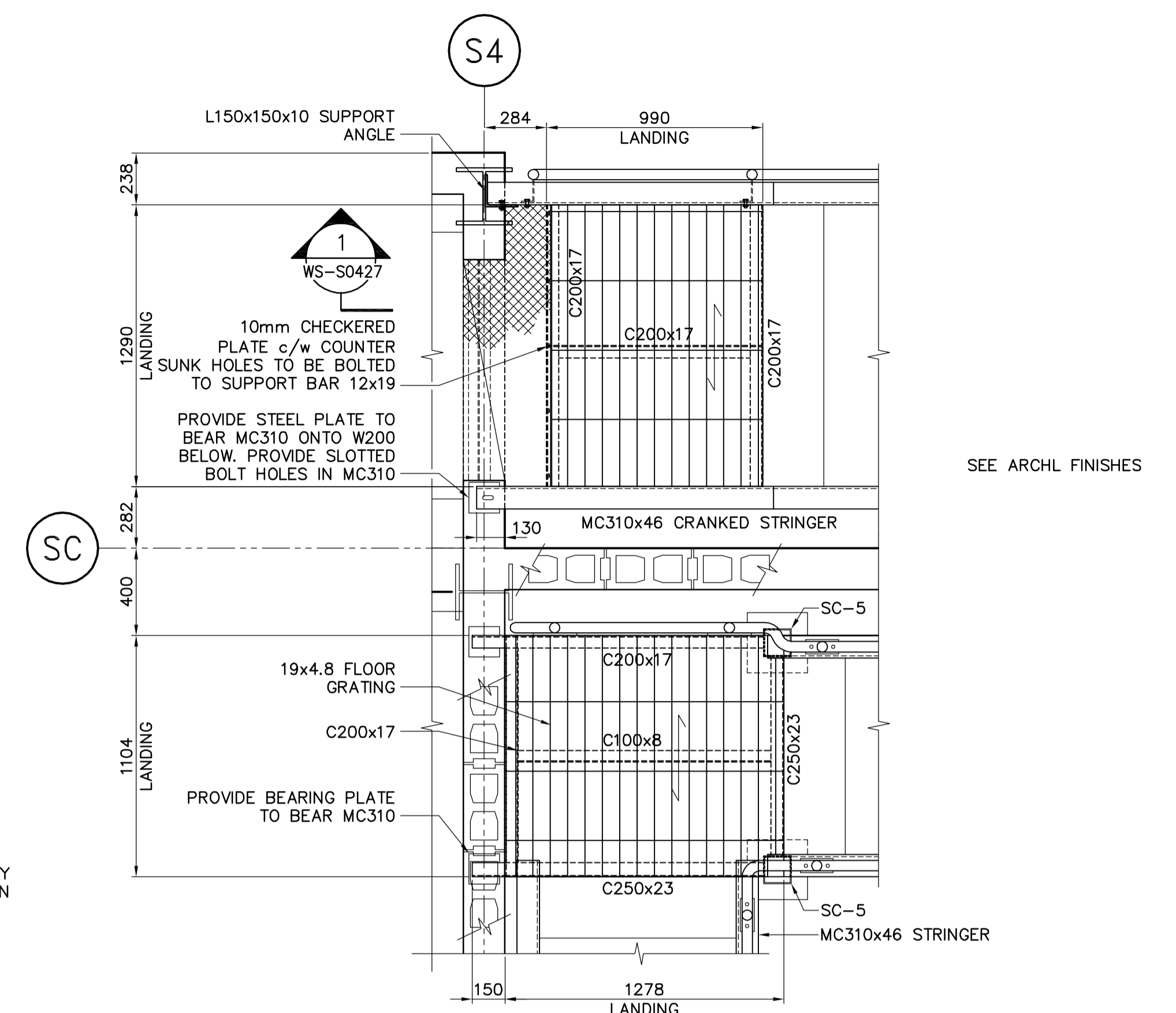


PARTIAL PLAN VIEW - CATWALK # 2
1:50

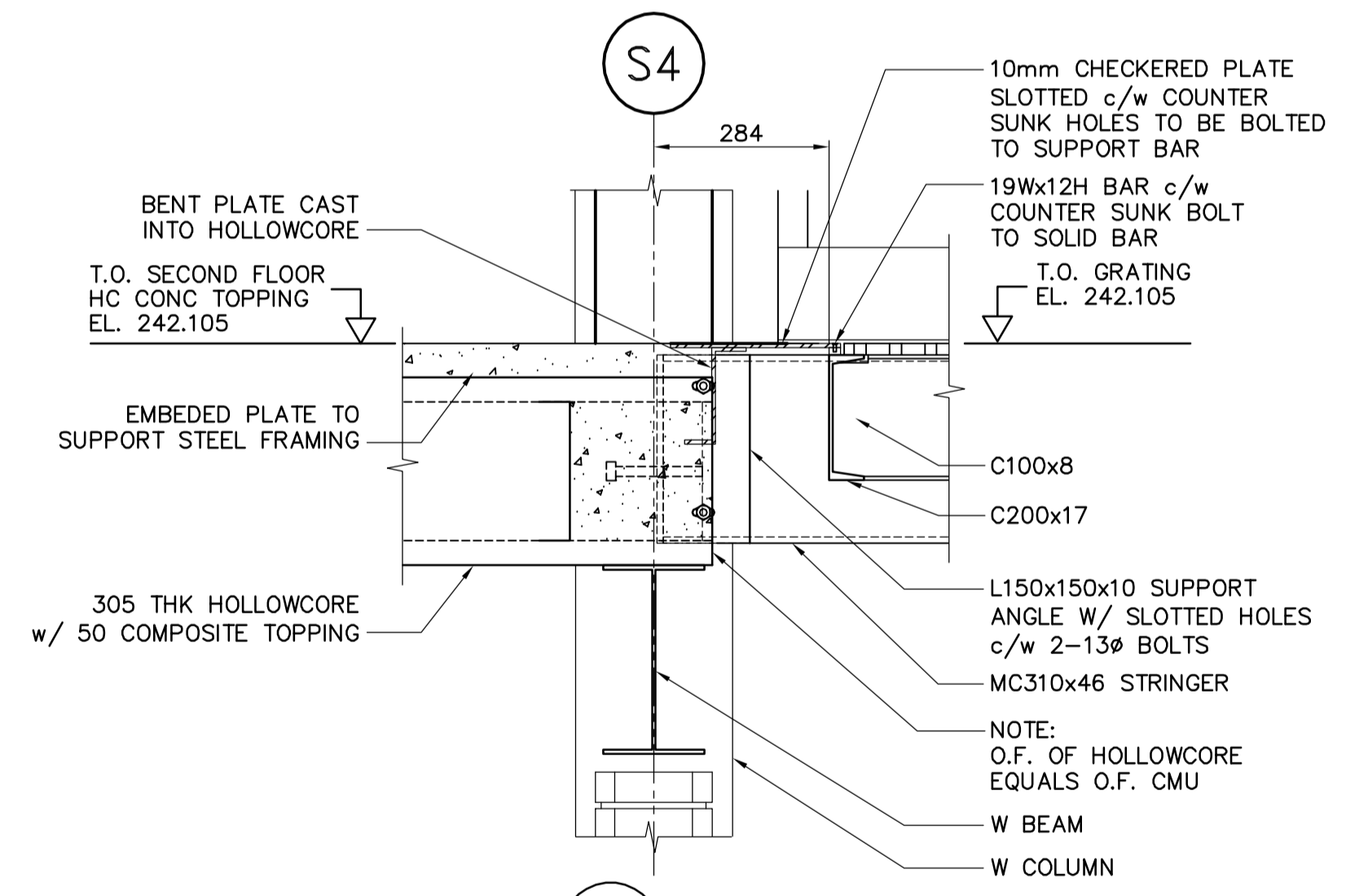
NOTE:
FOR HANGER SUPPORT DETAILS
SEE DWG. WS-S0128.



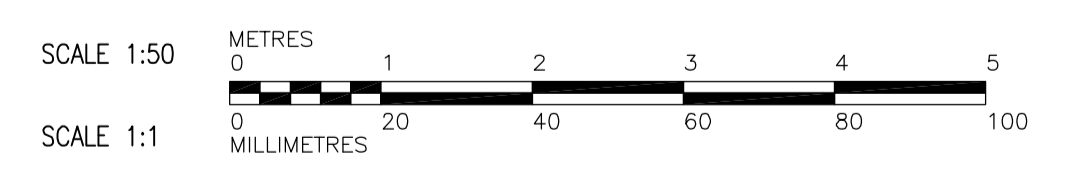
7 SECTION @ CATWALK
WS-S0127 1:30



A DETAIL
WS-S0127 1:20



1 SECTION
WS-S0127 1:10



APEGM
Certificate of Authorization
Earth Tech Canada Inc.
No. 730 Expiry: April 30, 2007

| | | | | | |
|----------------------|----------|-------------------------------|---------------|------|------------|
| B.M. ELEV. | | | | | |
| DESIGNED BY | ARA | CHECKED BY | AP | | |
| DRAWN BY | WDB | APPROVED BY | AHL | | |
| SCALE: | AS NOTED | RELEASED FOR CONSTRUCTION BY: | R. SOROKOWSKI | | |
| 00 ISSUED FOR TENDER | 07/01/31 | DATE | 2006/09/11 | DATE | 2007/01/31 |
| NO. REVISIONS | | DATE | | DATE | |

ENGINEER'S SEAL
ORIGINAL SIGNED BY
A. POCHANART
2007/01/31
CONSULTANT DRAWING NO.
WS-S0127

THE CITY OF WINNIPEG
WATER AND WASTE DEPARTMENT
ENGINEERING DIVISION

WATER TREATMENT PLANT
BULK CHEMICAL BUILDING
SODIUM HYPOCHLORITE AND CHEMICAL STORAGE BUILDING

STRUCTURAL
PARTIAL CATWALK STAIRS AND PLATFORMS PLAN

CITY FILE NUMBER
SHEET OF
CITY DRAWING NUMBER
1-0608-A-S0127-001-00D