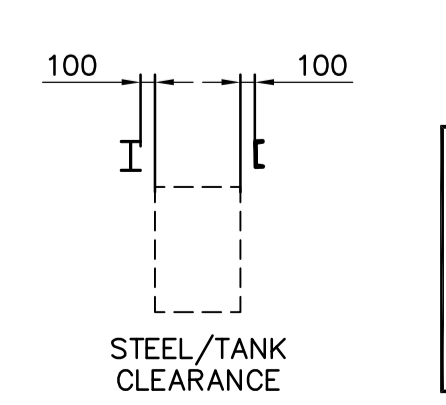


**ROOF PLAN - PARTIAL STEEL FRAMING PLAN**  
 1:50  
 SCALE 1:50 METRES  
 SCALE 1:1 MILLIMETRES

NOTES:  
 - ROOF STRUCTURE IS DESIGNED TO ALLOW THE REMOVAL OF CHEMICAL TANKS THROUGH ROOF JOIST SEAT IS 65mm  
 - SEE LANDYARD TIE DETAIL ON SHEET WS-S0402



**APCGM**  
 Certificate of Authorization  
 Earth Tech Canada Inc.  
 No. 730 Expiry: April 30, 2006

B.M. ELEV.					
DESIGNED BY	ARA	CHECKED BY	AP		
DRAWN BY	CMF	APPROVED BY	AHL		
SCALE:	AS NOTED	RELEASED FOR CONSTRUCTION BY:	R. SOROKOWSKI		
00 ISSUED FOR TENDER	07/01/31 CMF				
NO. REVISIONS	DATE BY	DATE	2006/08/30	DATE	2007/01/31

**CH2M HILL**  
 Frederickson Cooper ARCHITECTS

**EarthTech**  
 A Type International Ltd. Company

ENGINEER'S SEAL  
 ORIGINAL SIGNED BY  
 A. POCHANART  
 2007/01/31

**THE CITY OF WINNIPEG**  
 WATER AND WASTE DEPARTMENT  
 ENGINEERING DIVISION

WATER TREATMENT PLANT  
 BULK CHEMICAL BUILDING  
 SODIUM HYPOCHLORITE AND CHEMICAL STORAGE BUILDING

STRUCTURAL  
 ROOF PLAN - STEEL FRAMING (PARTIAL)

CITY FILE NUMBER  
 SHEET OF  
 CITY DRAWING NUMBER  
**1-0601S-A-80140-001-00D**

CONSULTANT DRAWING NO.  
 WS-S0140