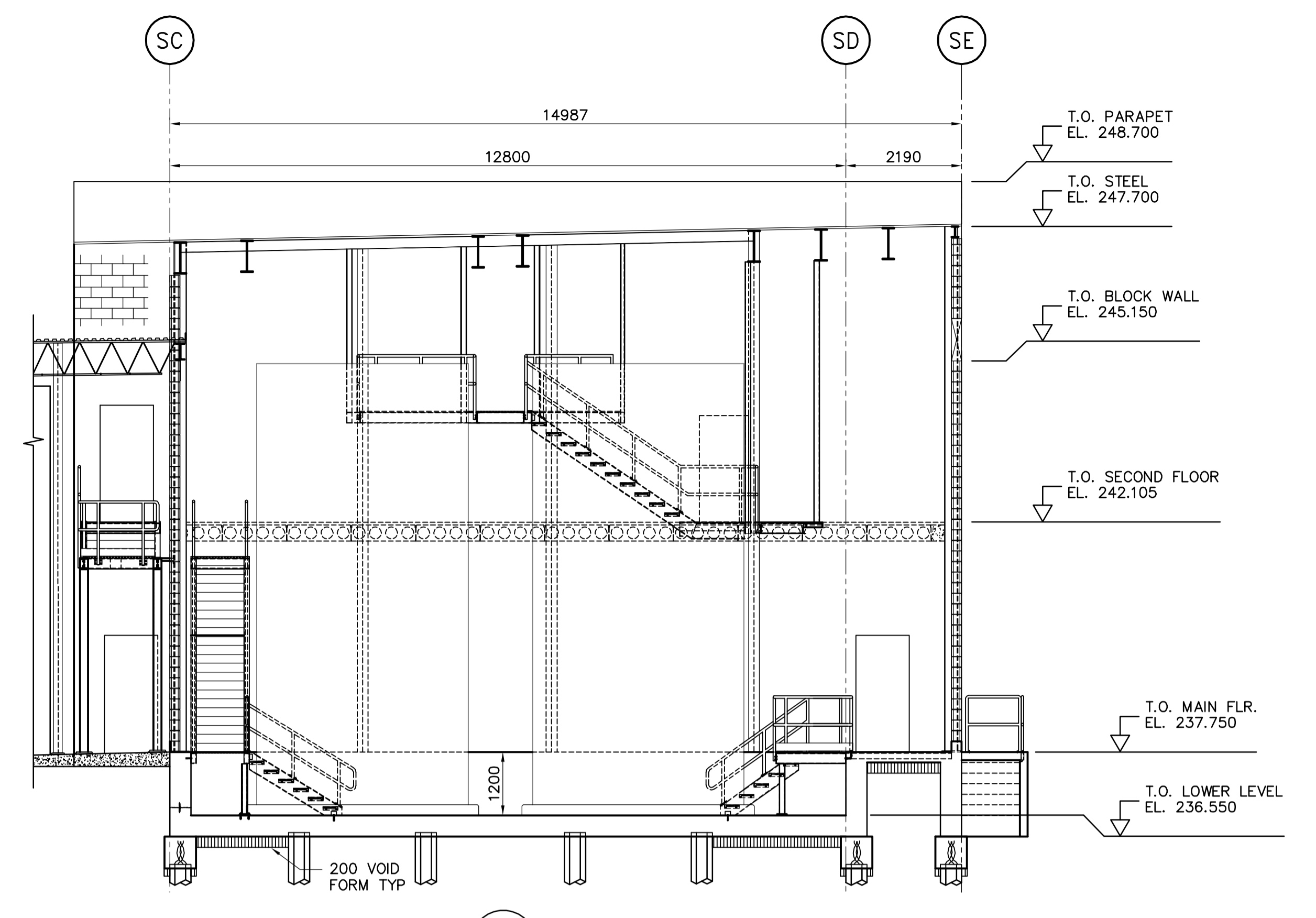
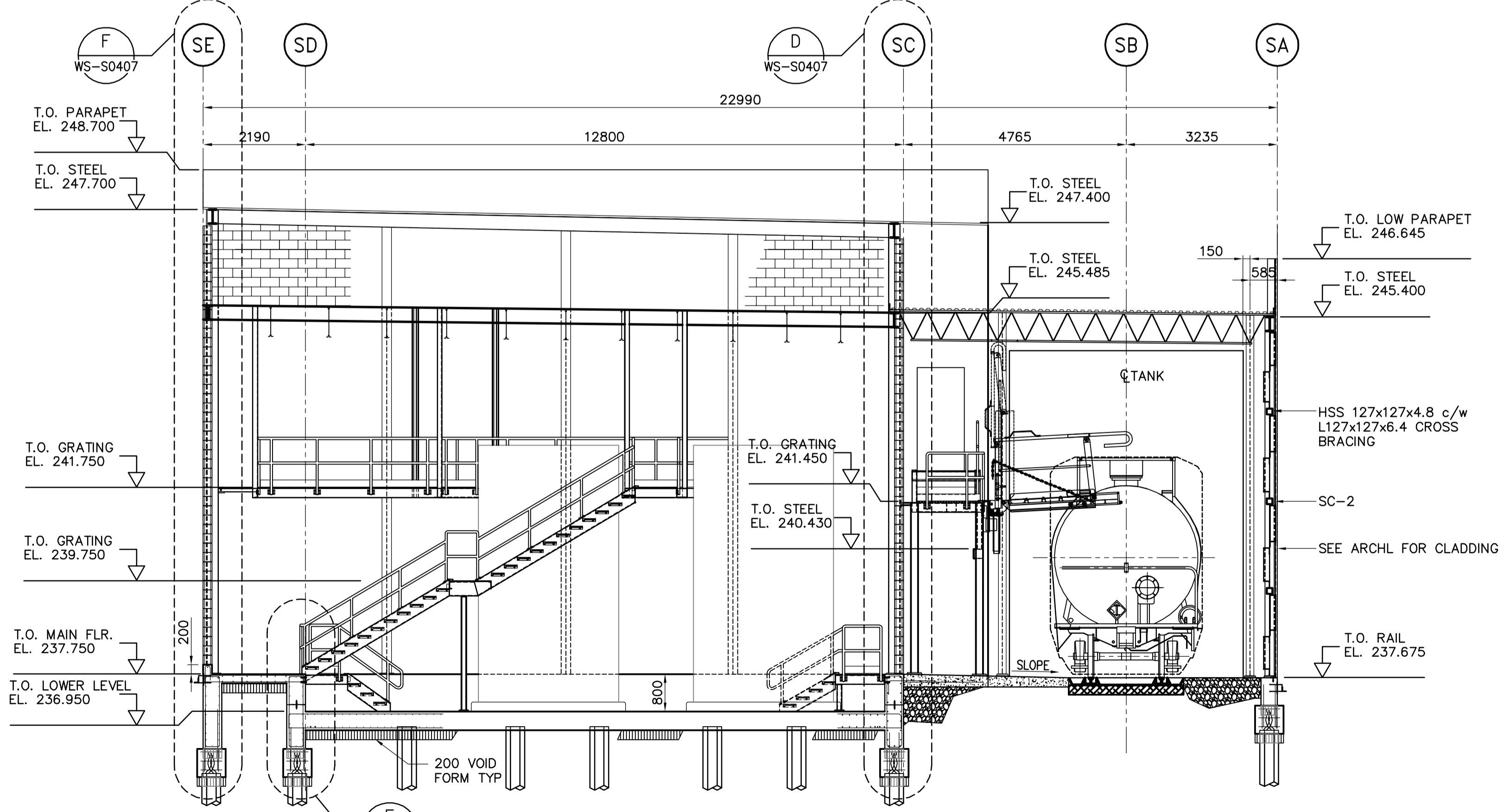


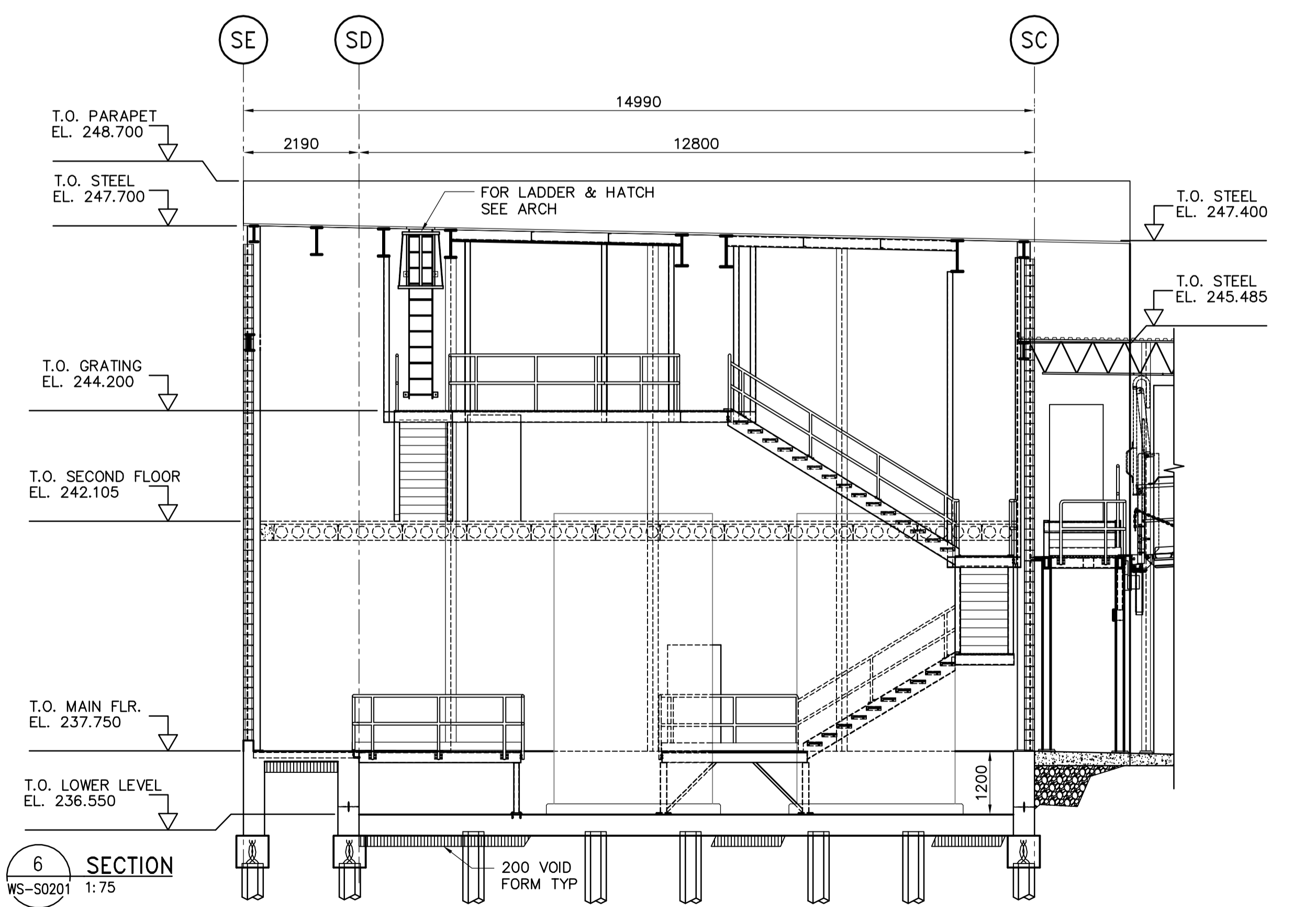
1 SECTION
WS-F0100, WS-S0100,
WS-S0110, WS-S0120,
WS-S0125, WS-S0140
WS-S0201 1:75



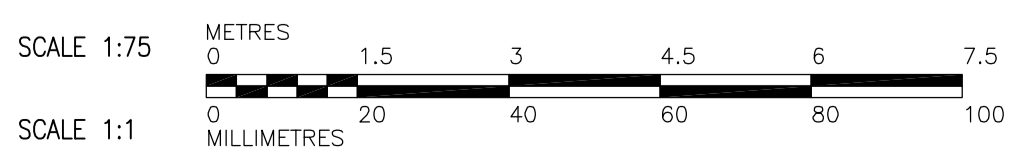
5 SECTION
WS-S0201 1:75



2 SECTION
WS-F0100, WS-S0100,
WS-S0110, WS-S0120,
WS-S0125, WS-S0141
WS-S0202 1:75



6 SECTION
WS-S0201 1:75



APEGM
Certificate of Authorization
Earth Tech Canada Inc.
No. 730 Expiry: April 30, 2007

NO.	REVISIONS	DATE	BY
00	ISSUED FOR TENDER	07/01/31	WDB

CH2M HILL		EarthTech A Tech International Ltd. Company	
Frederickson Cooper ARCHITECTS			
DESIGNED BY	ARA	CHECKED BY	AP
DRAWN BY	WDB	APPROVED BY	AHL
SCALE:	AS NOTED	RELEASED FOR CONSTRUCTION BY:	R. SOROKOWSKI
DATE	2006/08/30	DATE	2007/01/31

ENGINEER'S SEAL
ORIGINAL SIGNED BY
A. POCHANART
2007/01/31
CONSULTANT DRAWING NO.
WS-S0201

THE CITY OF WINNIPEG
WATER AND WASTE DEPARTMENT
ENGINEERING DIVISION

WATER TREATMENT PLANT
BULK CHEMICAL BUILDING
SODIUM HYPOCHLORITE AND CHEMICAL STORAGE BUILDING

STRUCTURAL
BUILDING SECTIONS

CITY FILE NUMBER
SHEET OF
CITY DRAWING NUMBER
1-0608-A-50201-001-00D