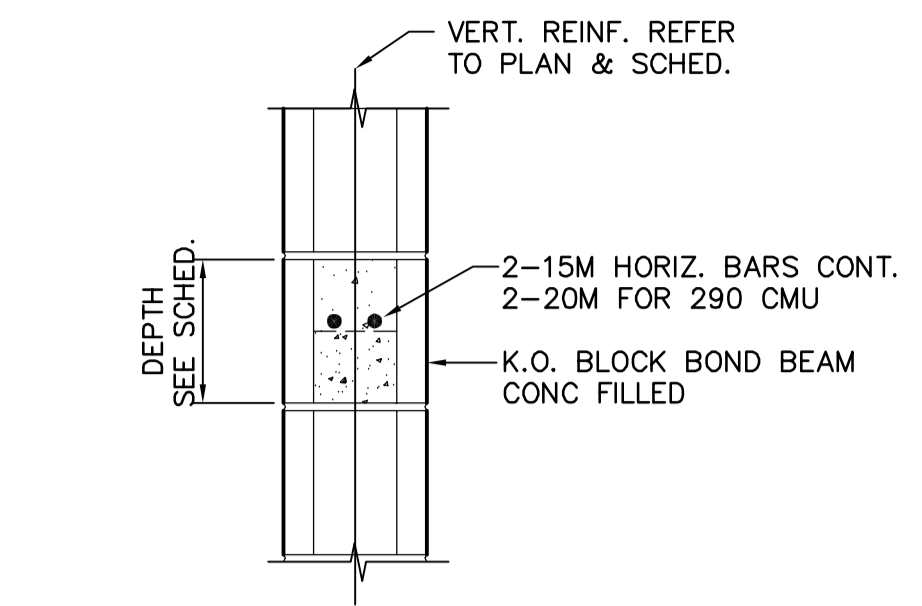
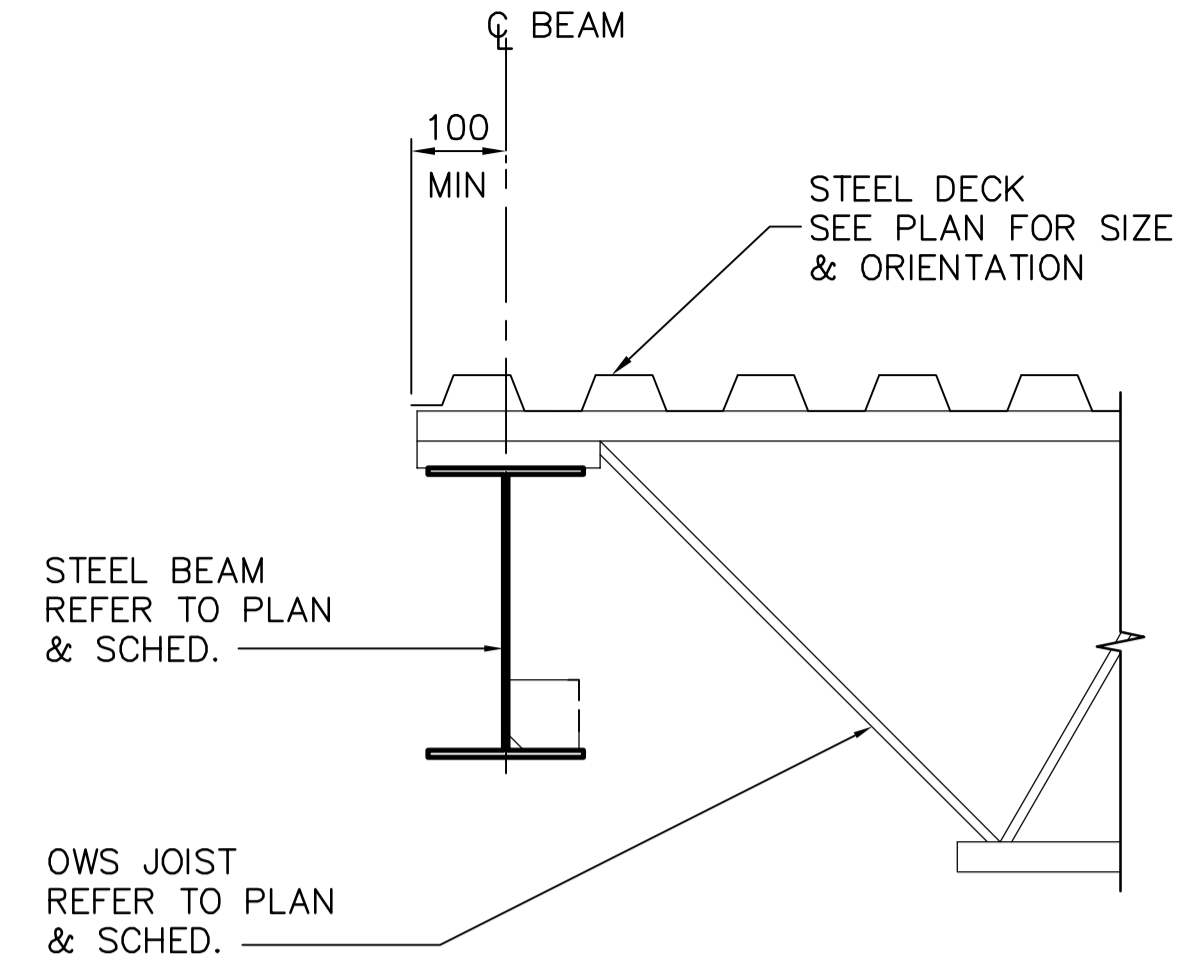


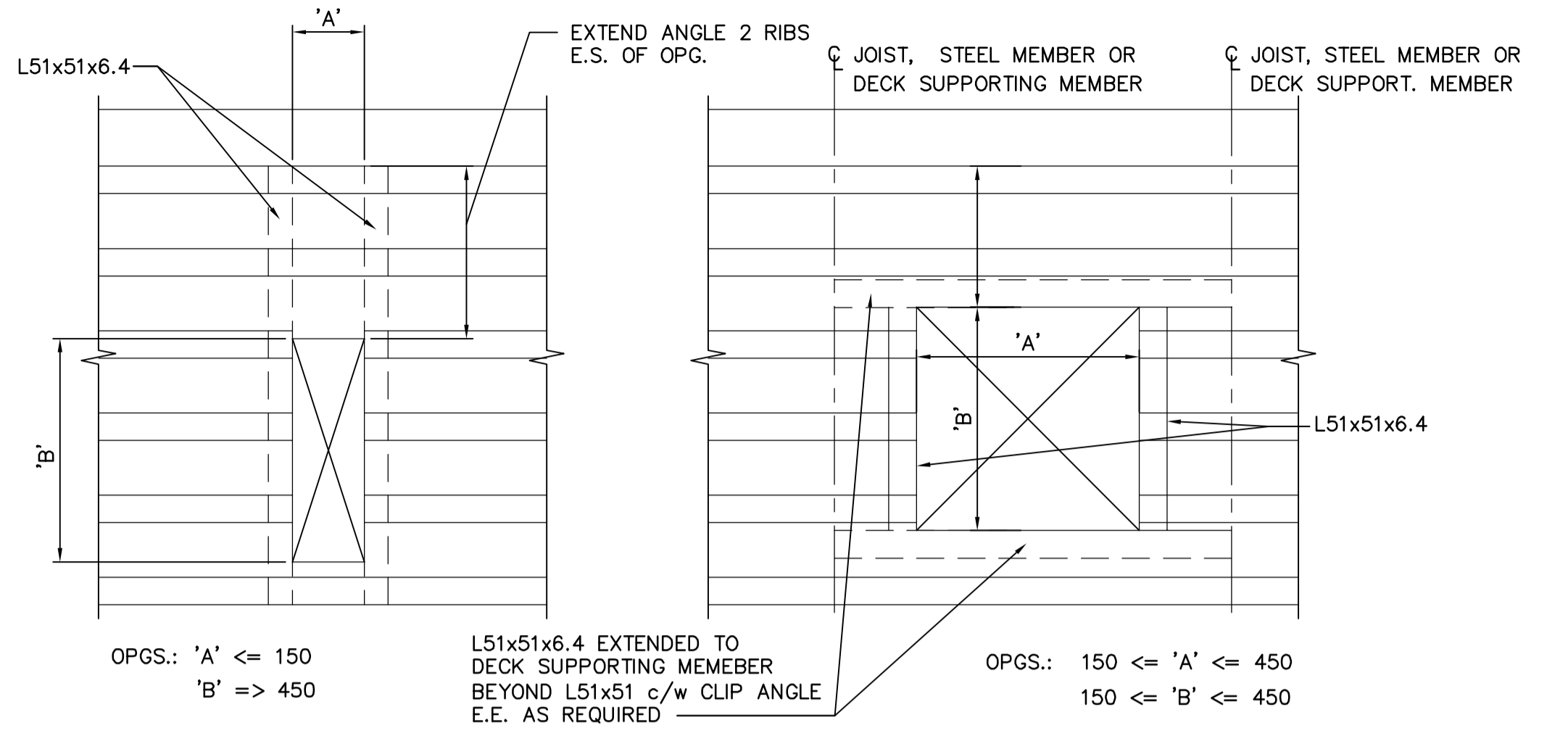
A
STD NTS
TYP. STEEL MEMBER CONNECTION DETAIL



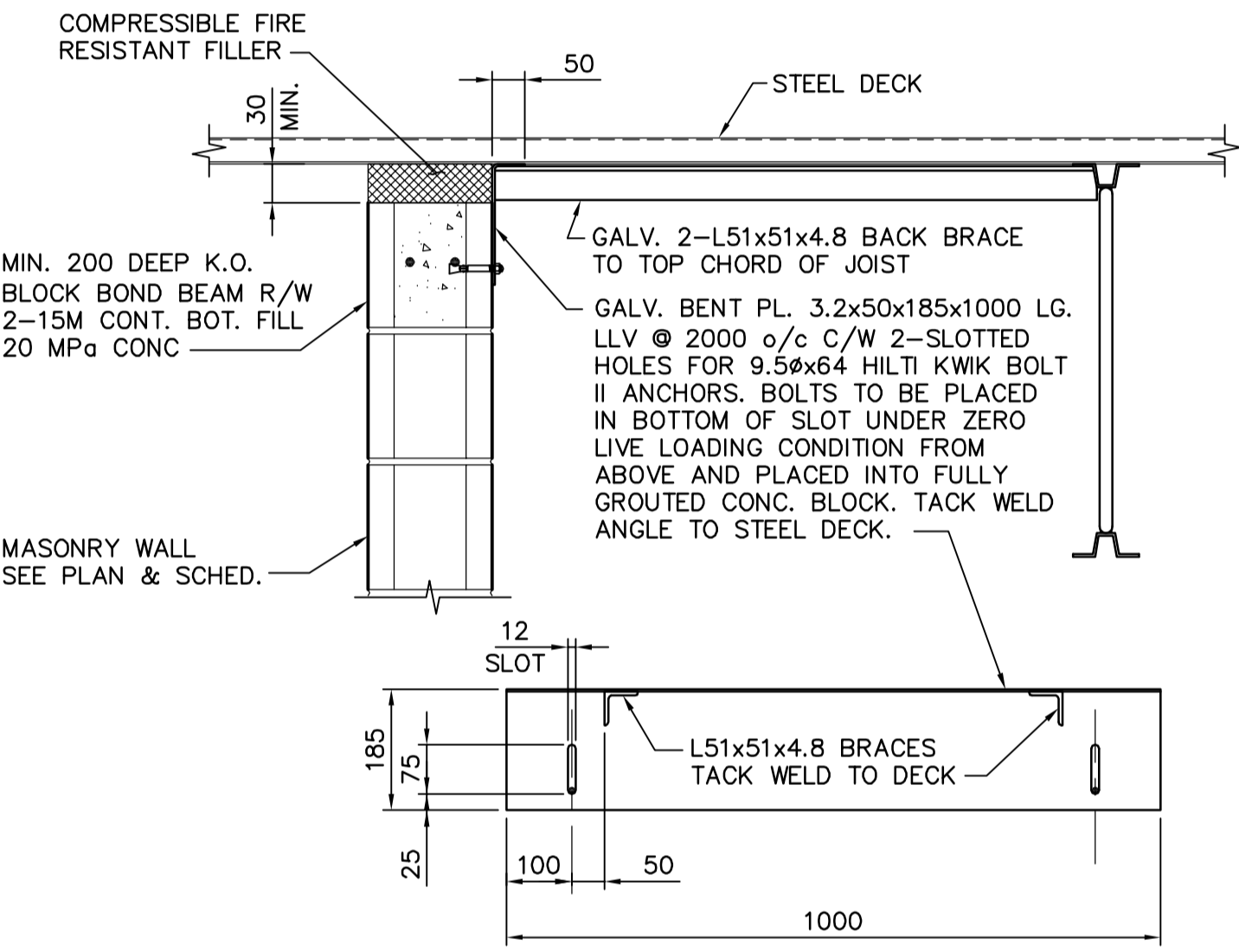
H
STD 1:10
TYPICAL BOND BEAM DETAIL



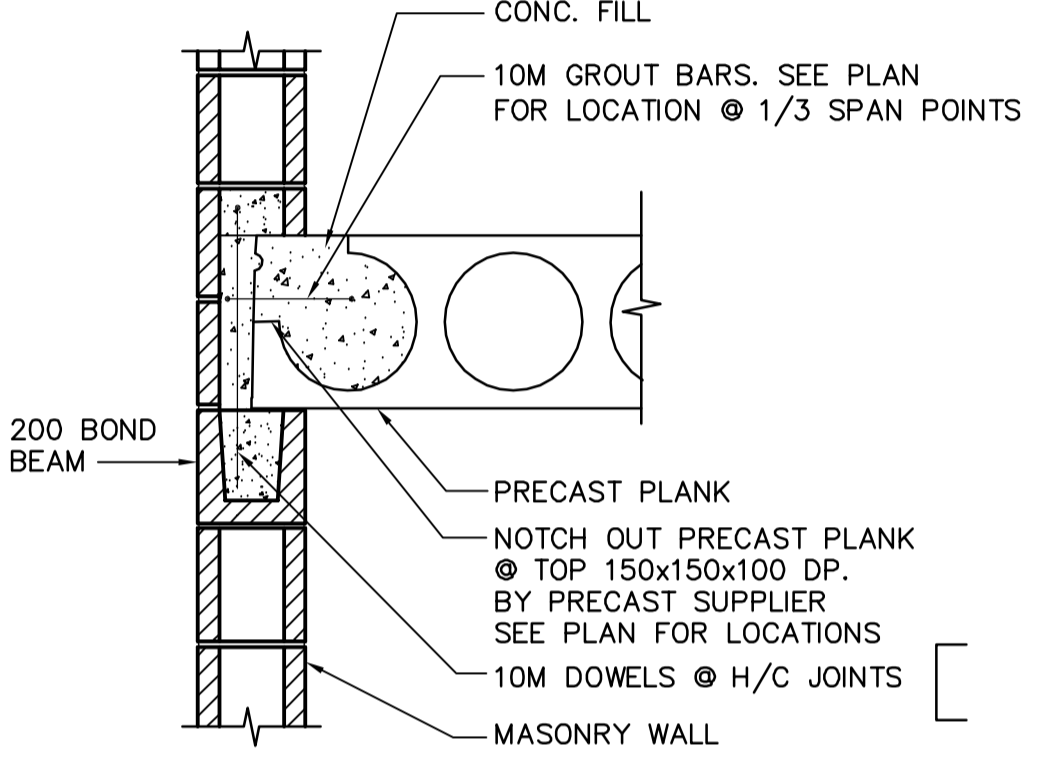
B
STD NTS
TYP. JOIST BEARING ON STEEL BEAM DETAIL



E
STD N.T.S.
TYPICAL FRAMING DETAILS FOR STEEL DECK OPENINGS



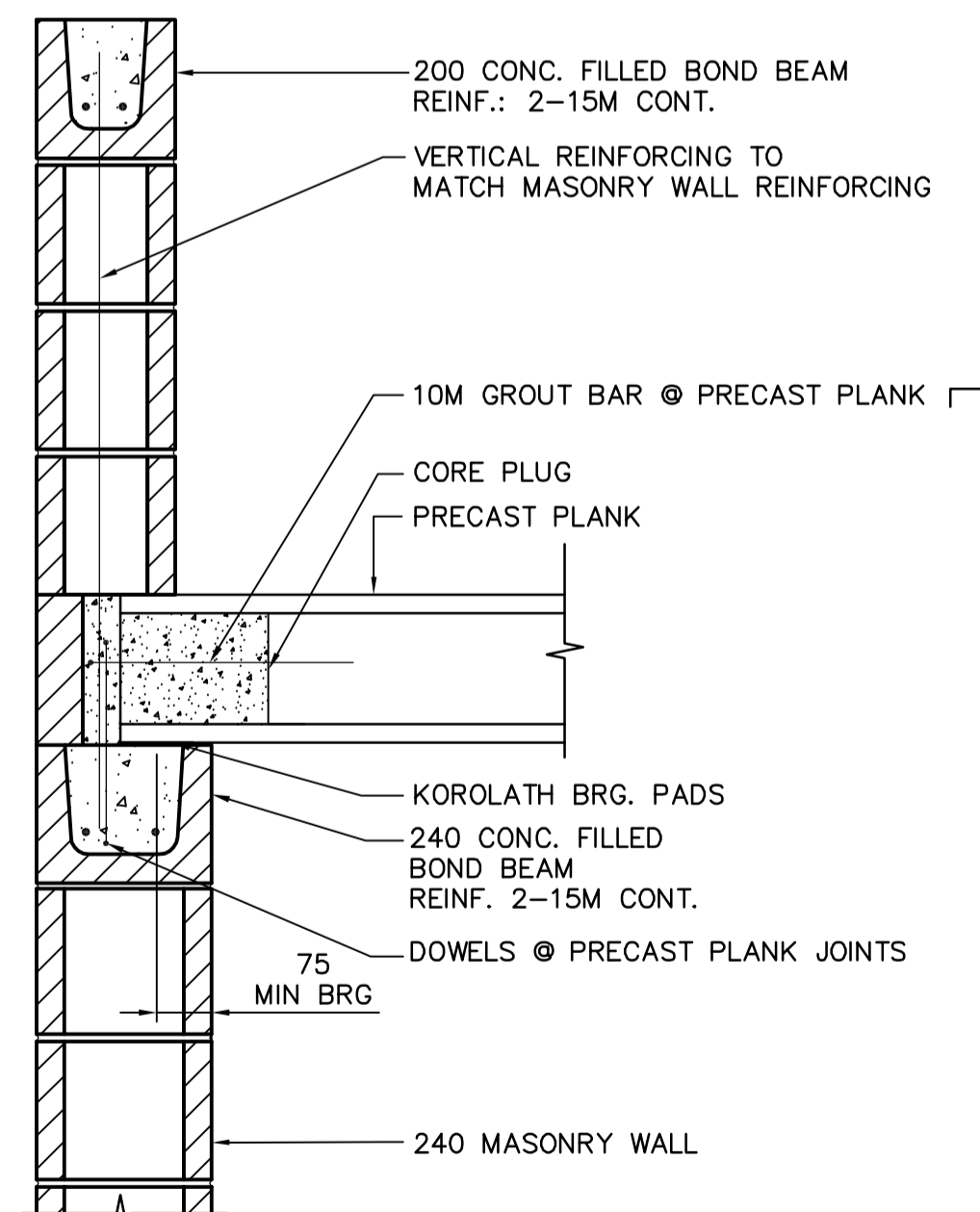
C
STD 1:10
TOP OF MASONRY WALL RESTRAINT



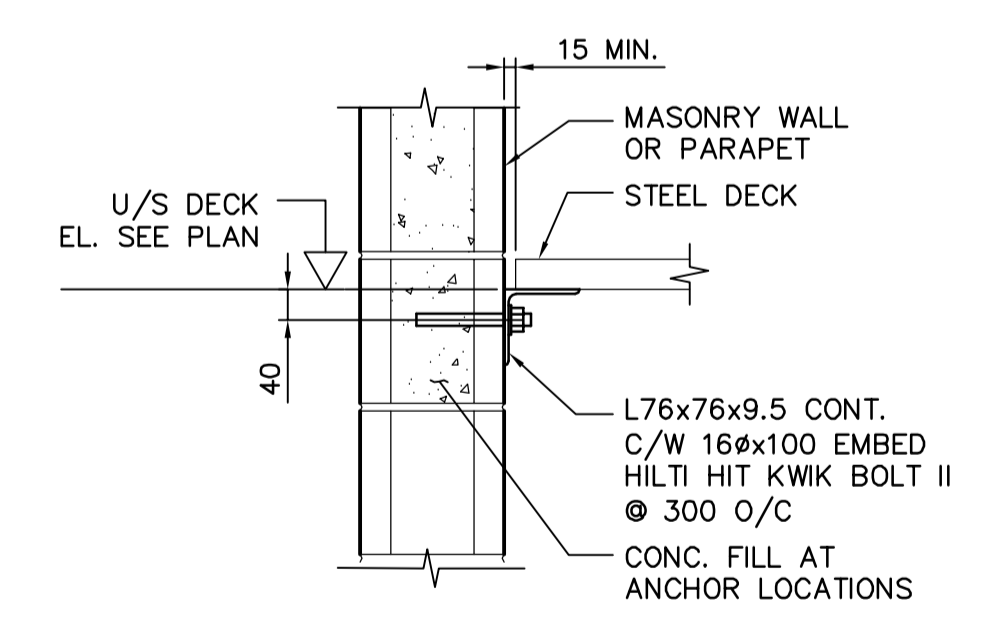
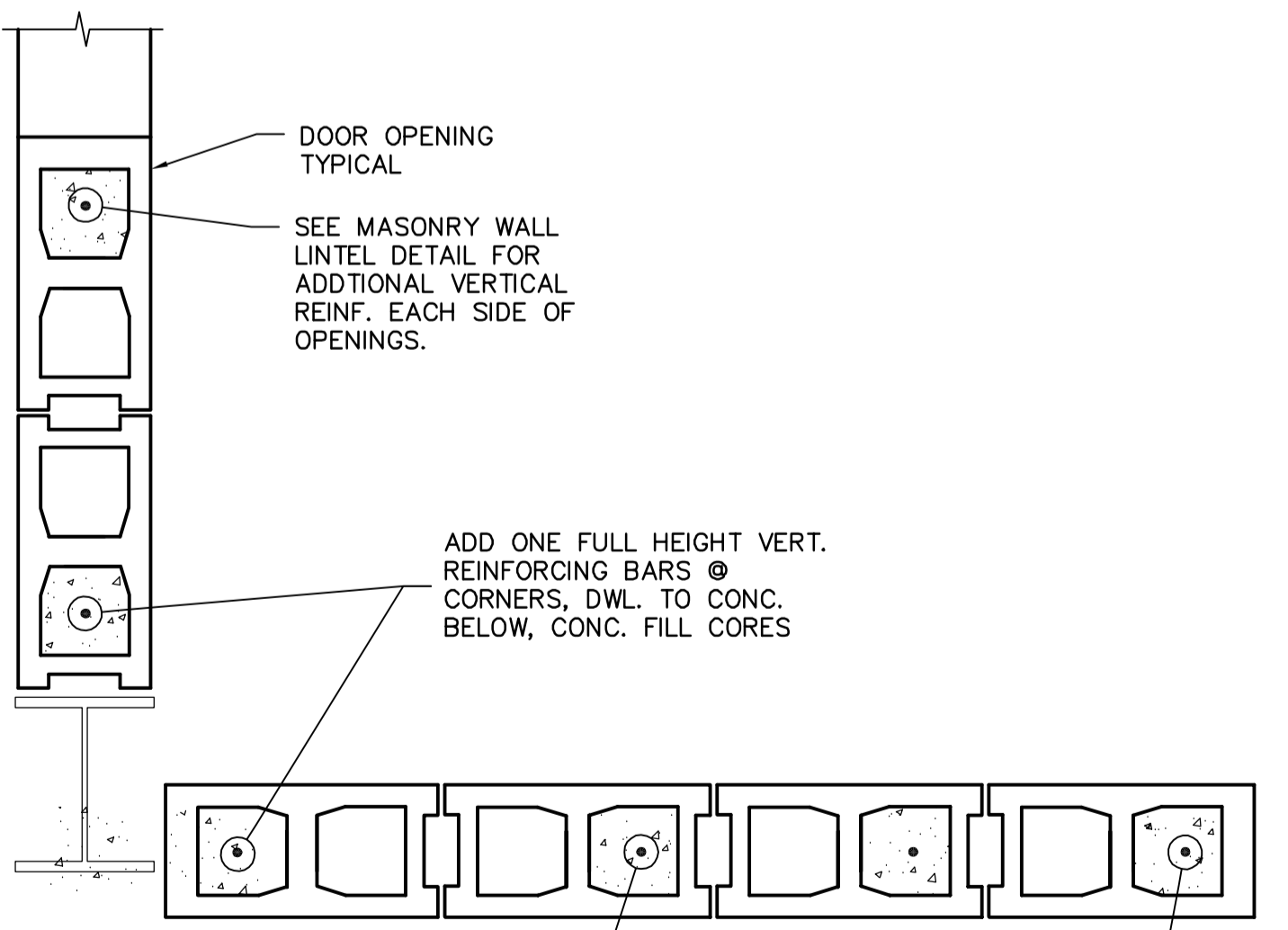
D
STD 1:10
STEEL MEMBER BEARING ON MASONRY WALL (CONCRETE SIMILAR)

PRECAST PLANK PARALLEL TO MASONRY WALL DETAIL 1

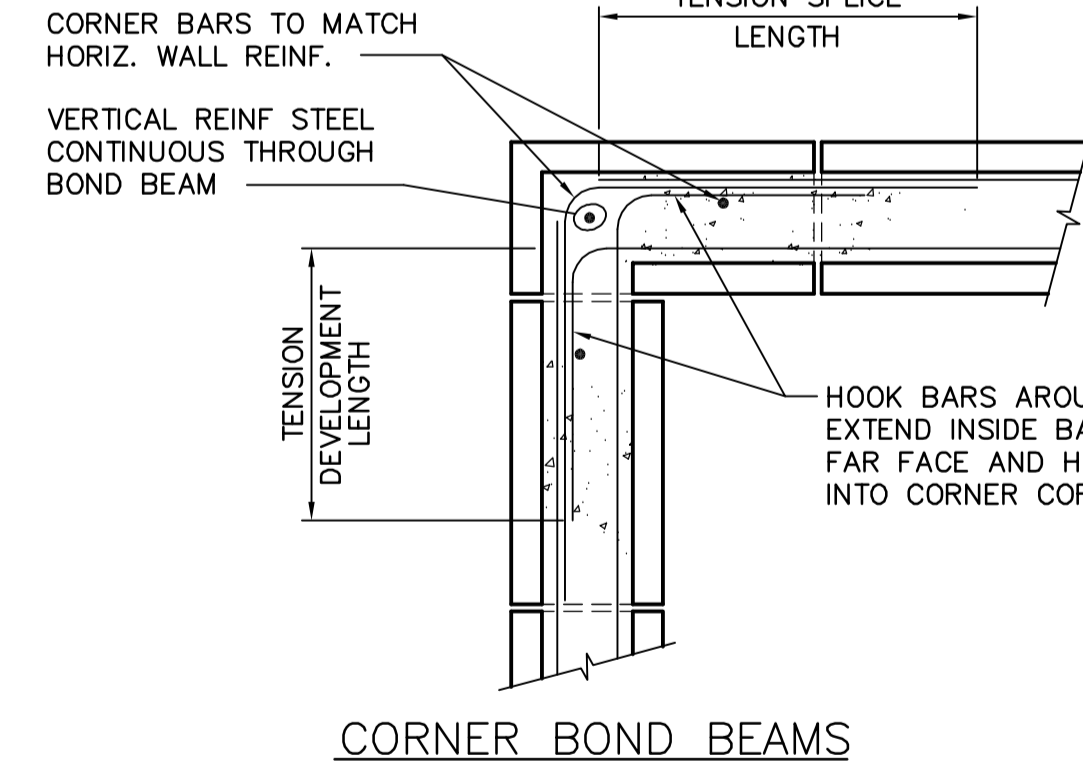
SEE DWG S3.06 FOR MASONRY REINF.



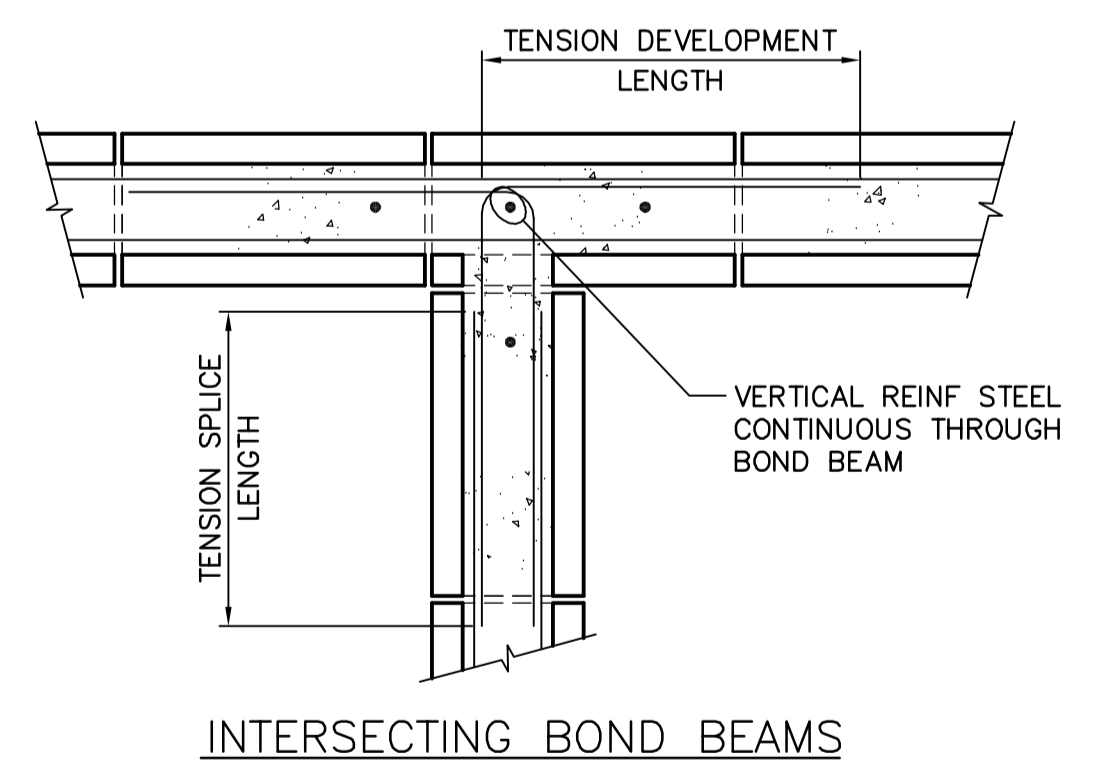
F
STD N.T.S.
TYPICAL MASONRY WALL DETAILS



F
STD 1:10
TYPICAL STEEL ROOF DECK SUPPORT AT MASONRY WALL



G
STD N.T.S.
TYPICAL BOND BEAM DETAILS



- NOTES:
1. VERT. REINFORCING STEEL IN 190.
2. VERT. REINFORCING IN 290 MASONRY WALL TO BE MIN. 20M.

APEGM
Certificate of Authorization
Earth Tech Canada Inc.
No. 730 Expiry: April 30, 2007

B.M. ELEV.					
DESIGNED BY	ARA	CHECKED BY	AP	ENGINEER'S SEAL	
DRAWN BY	CMF	APPROVED BY	AHL	ORIGINAL SIGNED BY	A. POCHANART
SCALE:	AS NOTED	RELEASED FOR CONSTRUCTION BY:	R. SOROKOWSKI	DATE	2007/01/31
00 ISSUED FOR TENDER	07/01/31	DATE	2006/08/30	DATE	2007/01/31
NO. REVISIONS		DATE		DATE	

CH2M HILL
Frederickson Cooper ARCHITECTS

EarthTech
A Tech International Ltd. Company

THE CITY OF WINNIPEG
WATER AND WASTE DEPARTMENT
ENGINEERING DIVISION

WATER TREATMENT PLANT
BULK CHEMICAL BUILDING
SODIUM HYPOCHLORITE AND CHEMICAL STORAGE BUILDING

STRUCTURAL STANDARD DETAILS

CITY FILE NUMBER
SHEET OF
CITY DRAWING NUMBER
1-06018-A-80403-001-00D

CONSULTANT DRAWING NO.
WS-S0403