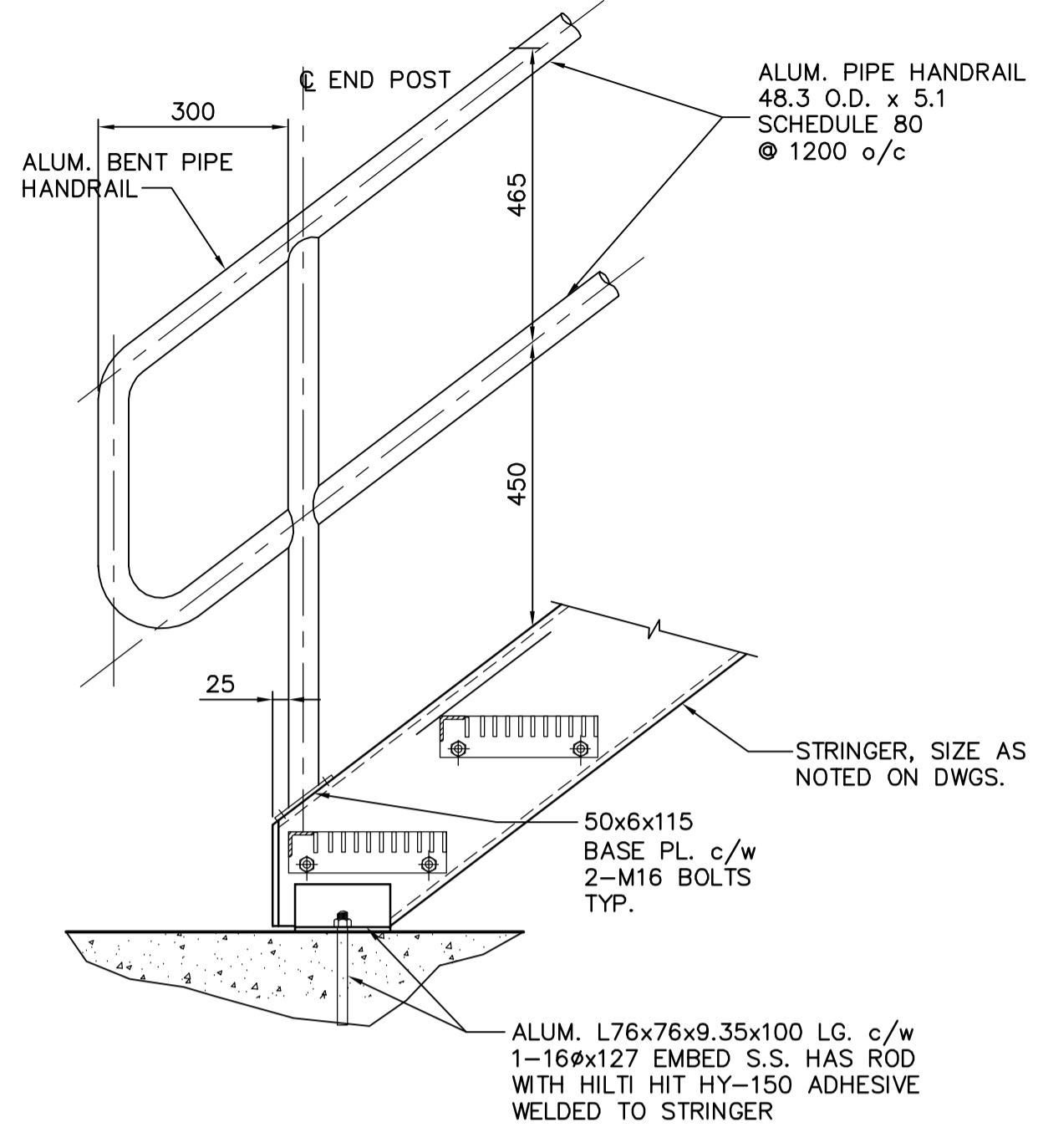
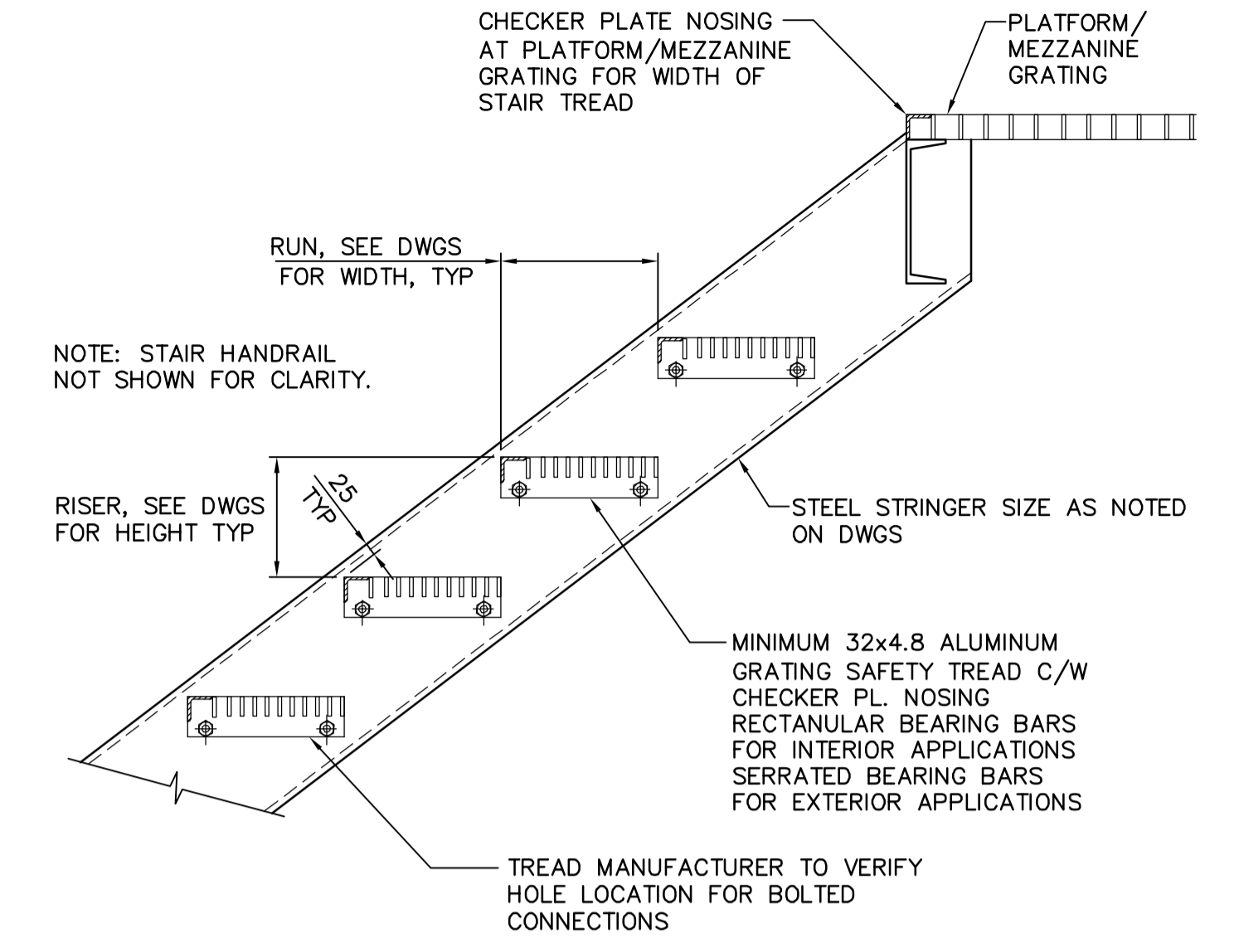


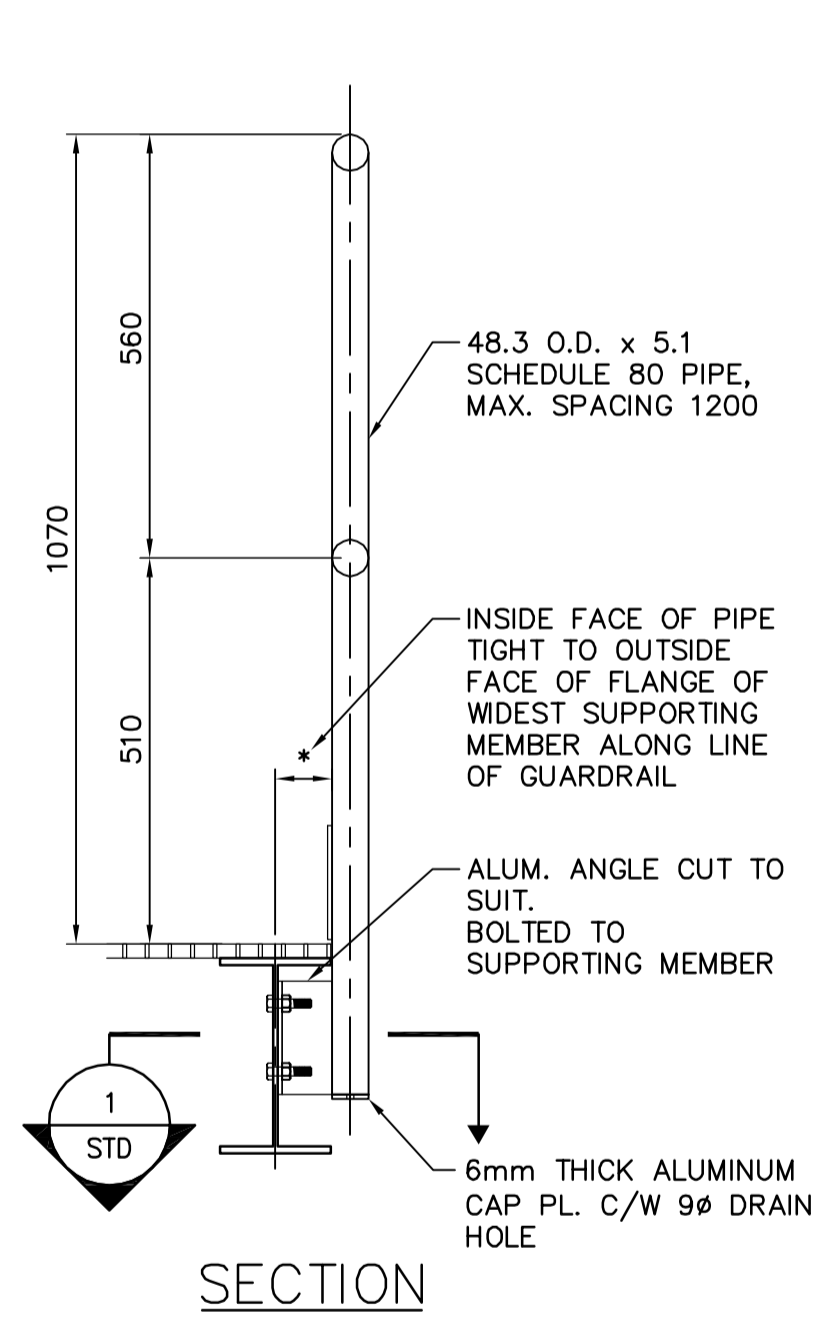
A TYPICAL TRANSITION DETAIL
STD 1:10



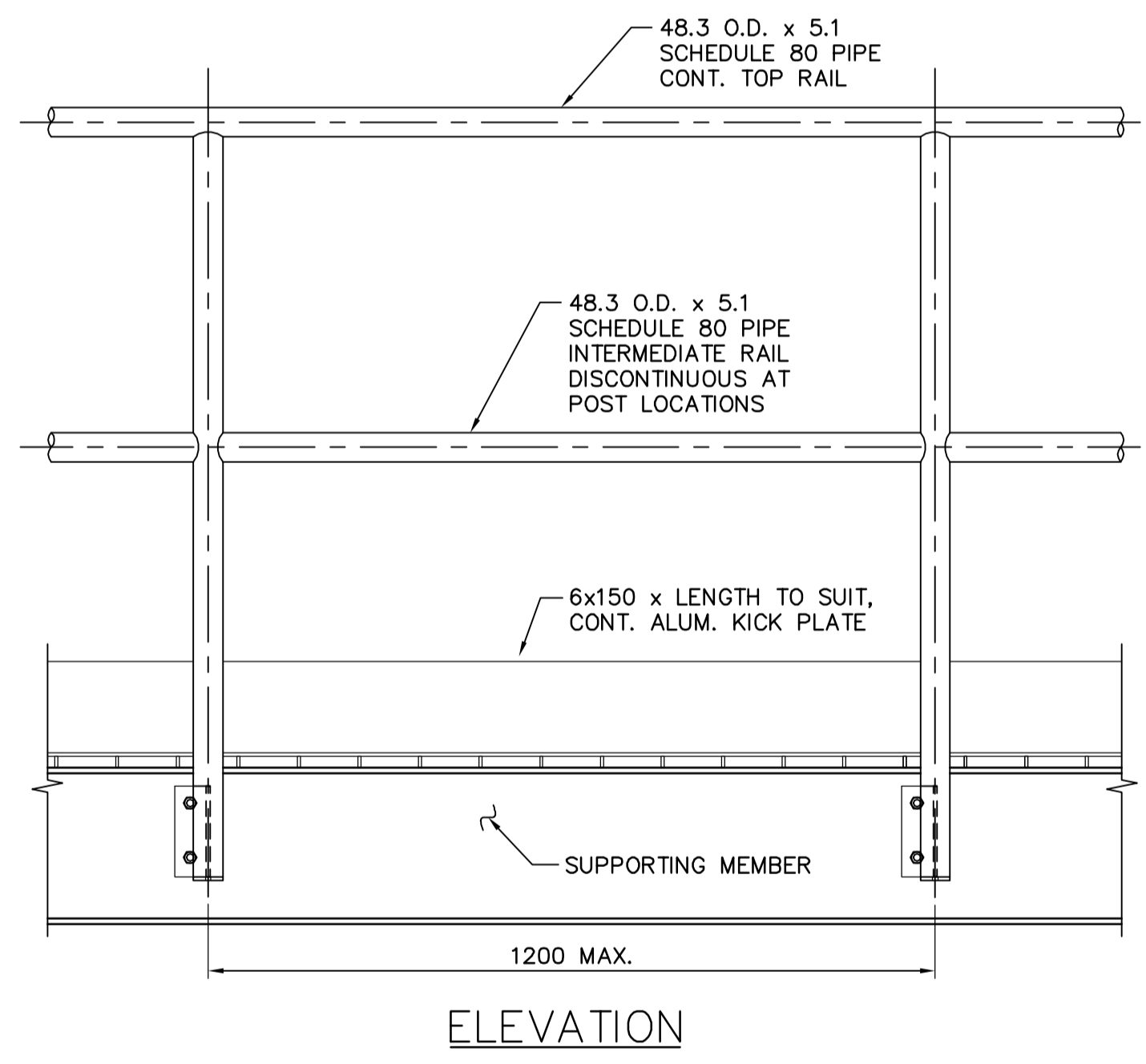
B TYPICAL STAIR BASE PLATE & RAILING END DETAIL
STD 1:20



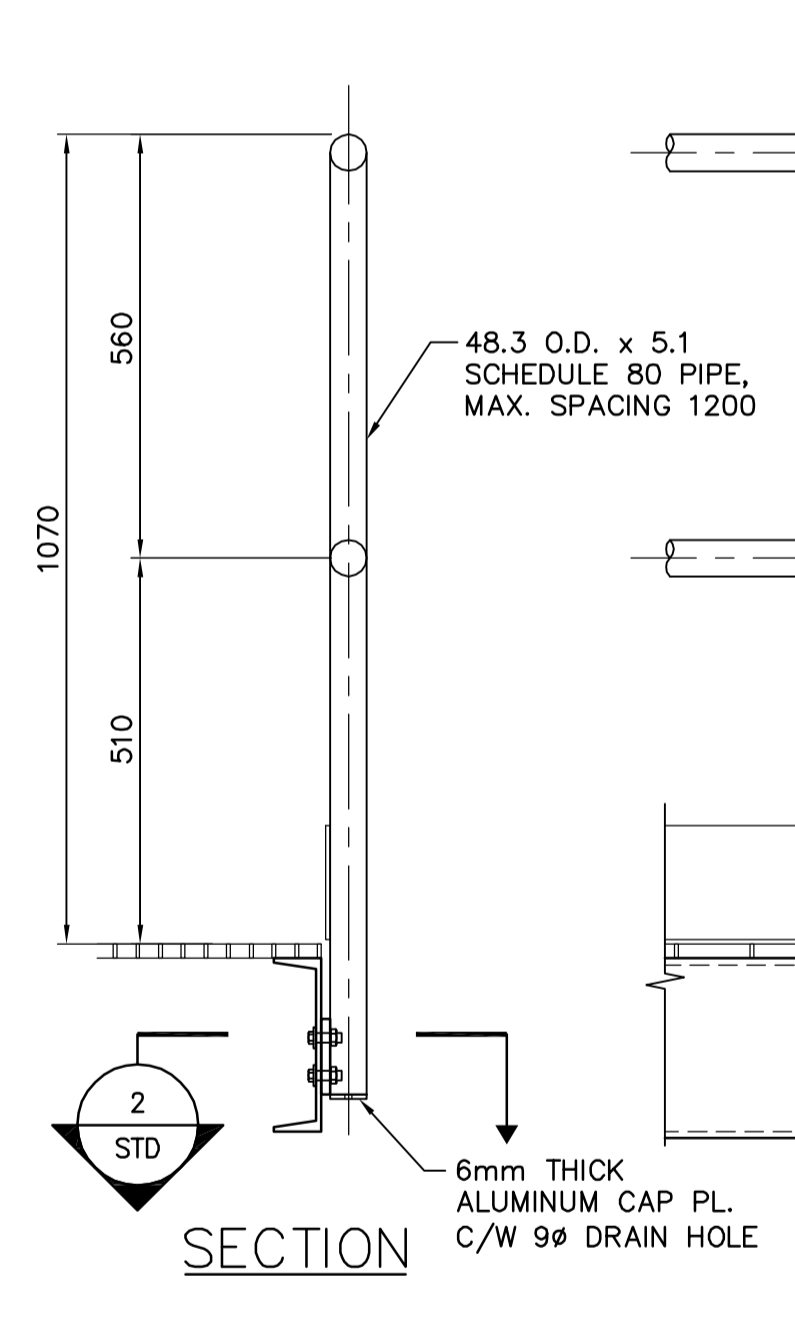
C TYPICAL GRATING STAIR DETAIL
STD 1:20



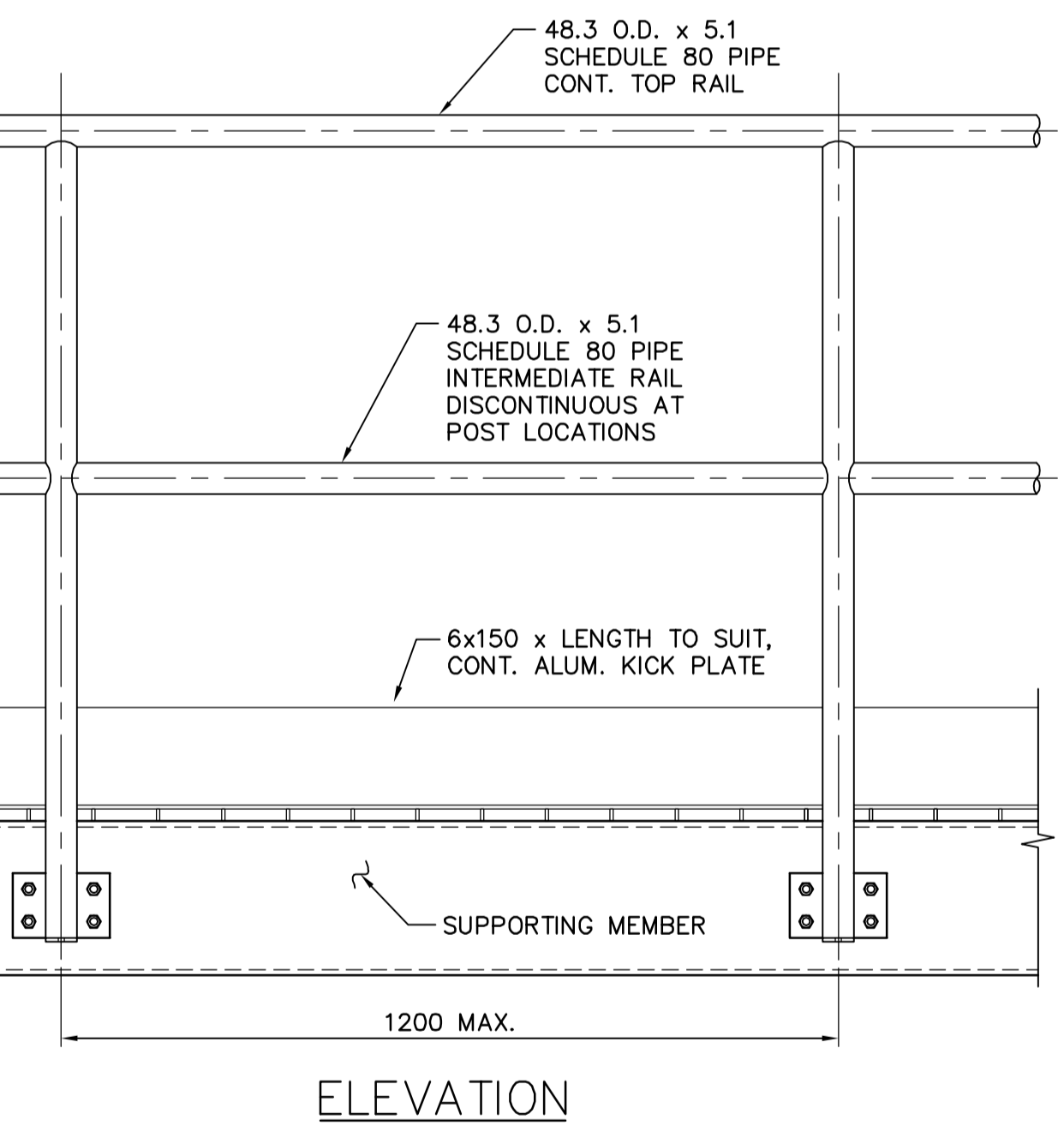
SECTION



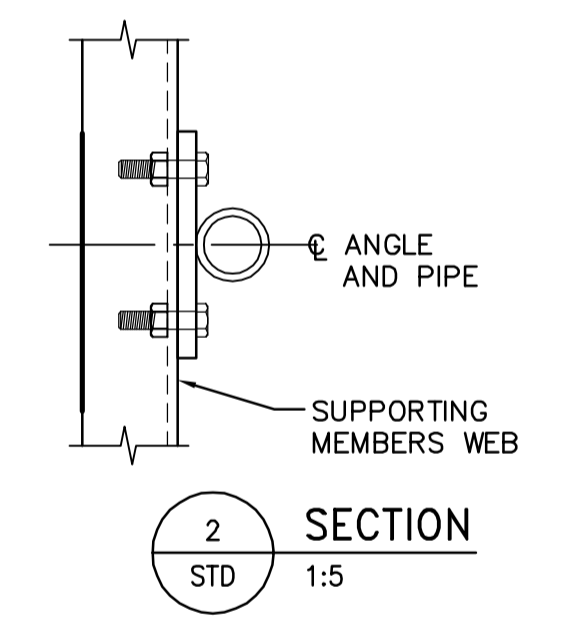
ELEVATION



SECTION

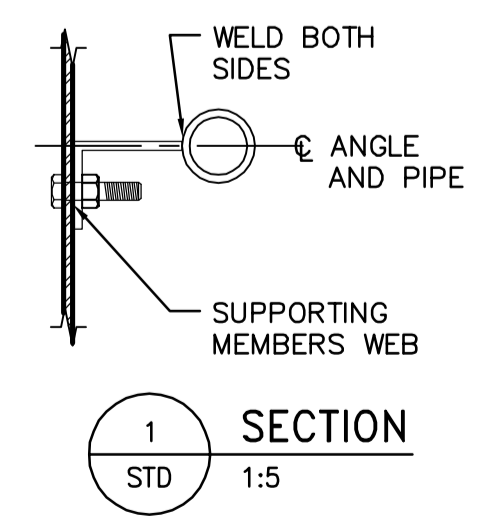


ELEVATION



SECTION
STD 1:5

D TYPICAL GUARDRAIL/HANDRAIL DETAILS
STD 1:10



SECTION
STD 1:5

- NOTES:
1. PAINT ALL ALUMINUM SURFACES IN CONTACT WITH CONCRETE WITH TWO COATS OF ALKALI-RESISTANT BITUMINOUS PAINT.
 2. ALL GRATING TO BE GALVANIZED STEEL.
 3. ALL STRINGERS, CHANNELS, ANGLES, PLATES AND RAILING TO BE ALUMINUM UNLESS NOTED OTHERWISE.



B.M. ELEV.					
DESIGNED BY	ARA	CHECKED BY	AP	ENGINEER'S SEAL	
DRAWN BY	CMF	APPROVED BY	AHL	ORIGINAL SIGNED BY	A. POCHANART
SCALE:	AS NOTED	RELEASED FOR CONSTRUCTION BY:	R. SOROKOWSKI	DATE	2007/01/31
ISSUED FOR TENDER	07/01/31	DATE	2006/08/30	CONSULTANT DRAWING NO.	WS-S0405
NO. REVISIONS		DATE			

CH2M HILL
Frederickson Cooper ARCHITECTS

EarthTech
A Terra International Ltd. Company

THE CITY OF WINNIPEG
WATER AND WASTE DEPARTMENT
ENGINEERING DIVISION

WATER TREATMENT PLANT
BULK CHEMICAL BUILDING
SODIUM HYPOCHLORITE AND CHEMICAL STORAGE BUILDING

STRUCTURAL STANDARD DETAILS

CITY FILE NUMBER
SHEET OF
CITY DRAWING NUMBER
1-06018-A-S0405-001-00D