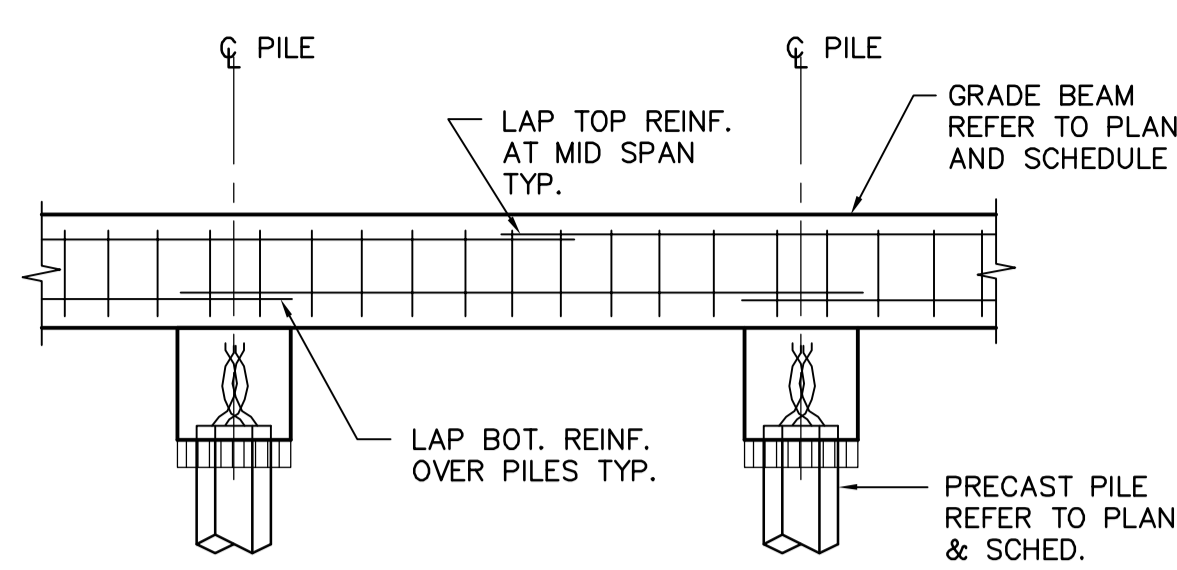
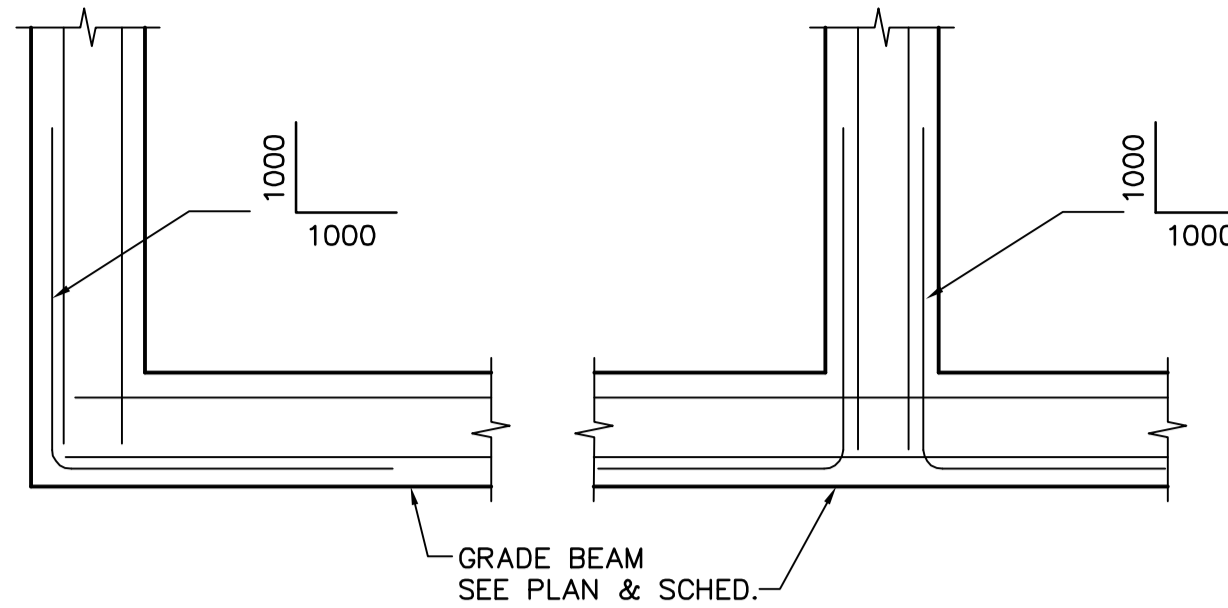


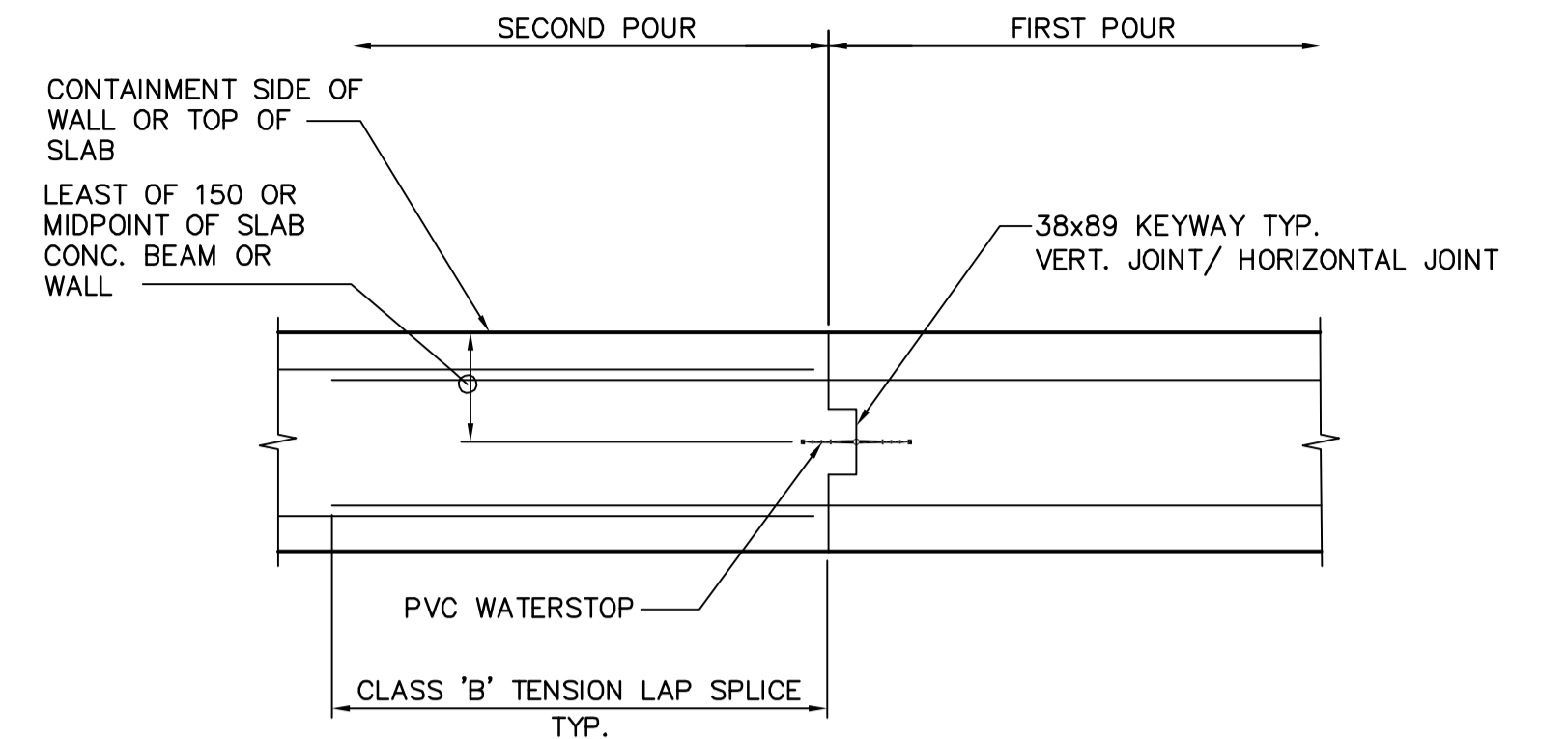
**A** TYPICAL PILE CAP DETAIL  
STD 1:20



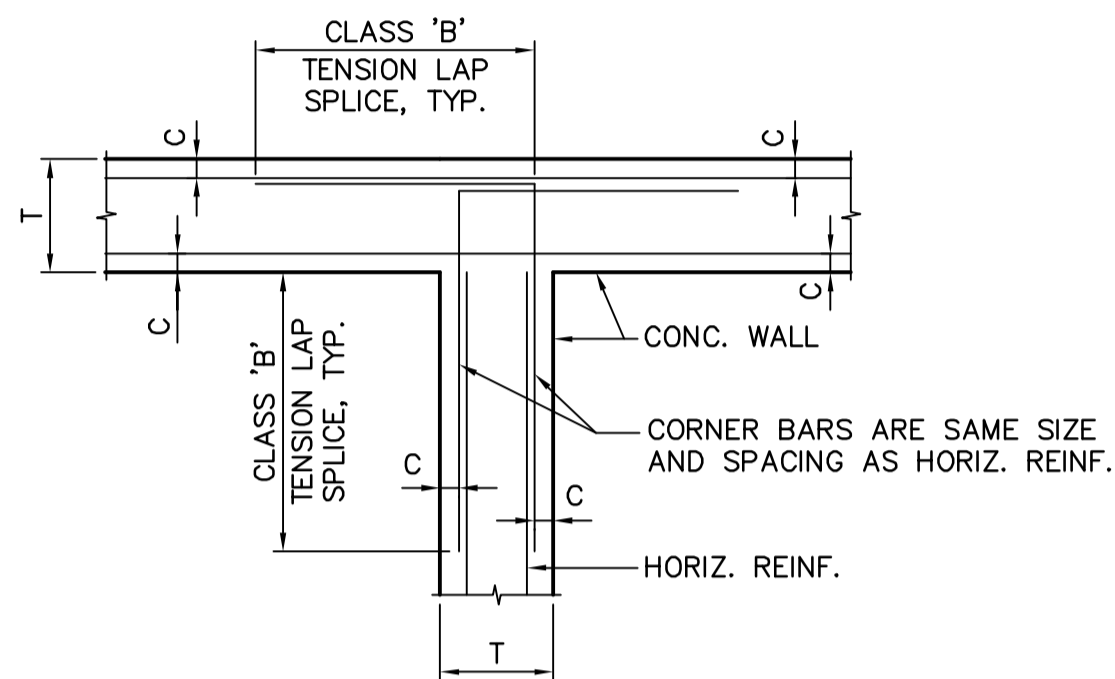
**C** GRADE BEAM SPLICE DETAIL  
STD N.T.S.



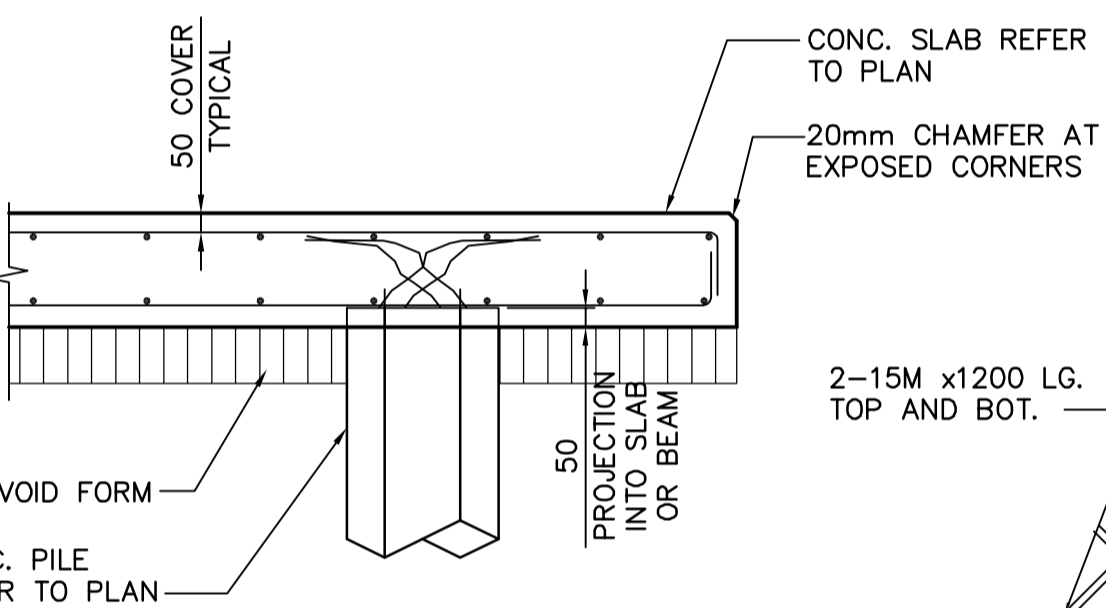
**D** TYPICAL GRADE BEAM CORNER REINFORCING DETAIL  
STD N.T.S.  
CORNER BARS SAME SIZE AND SPACING AS HORIZONTAL REINFORCING



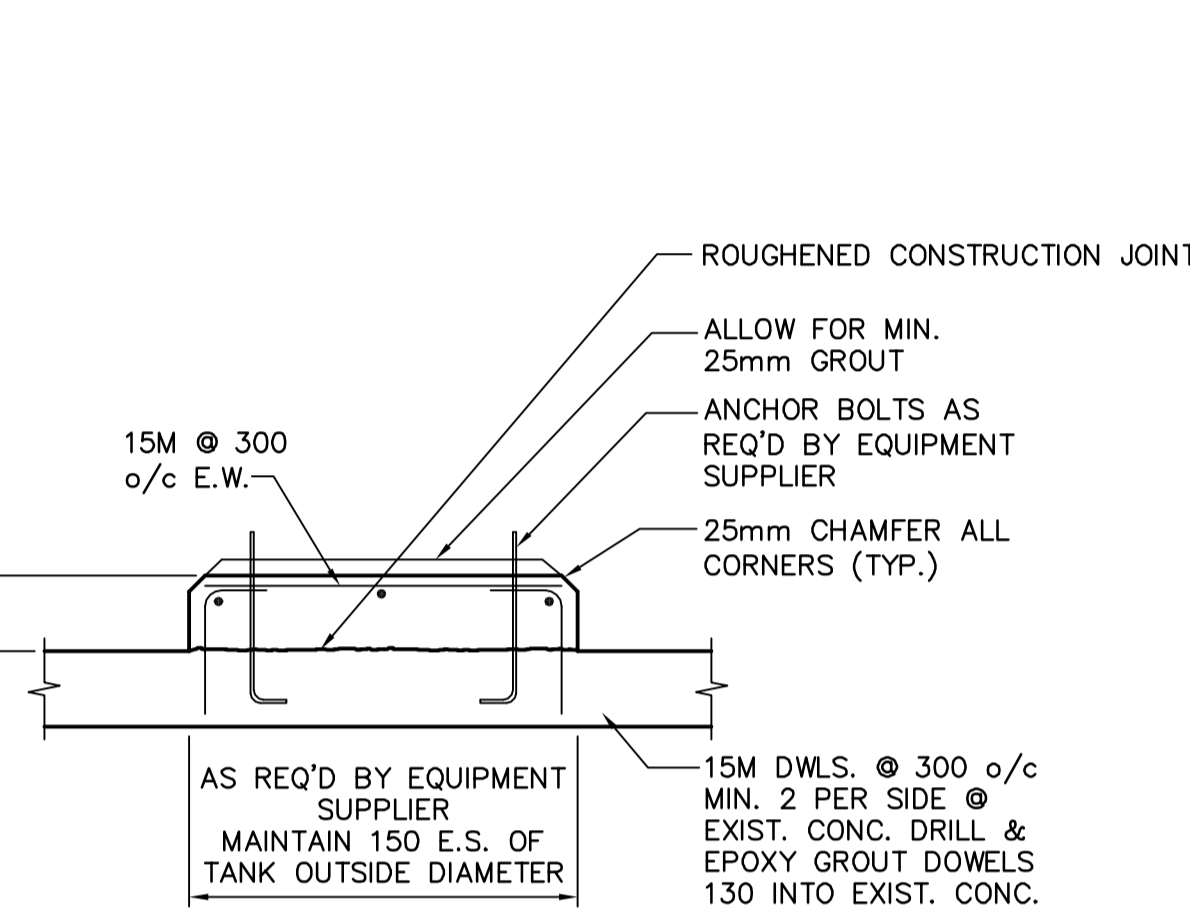
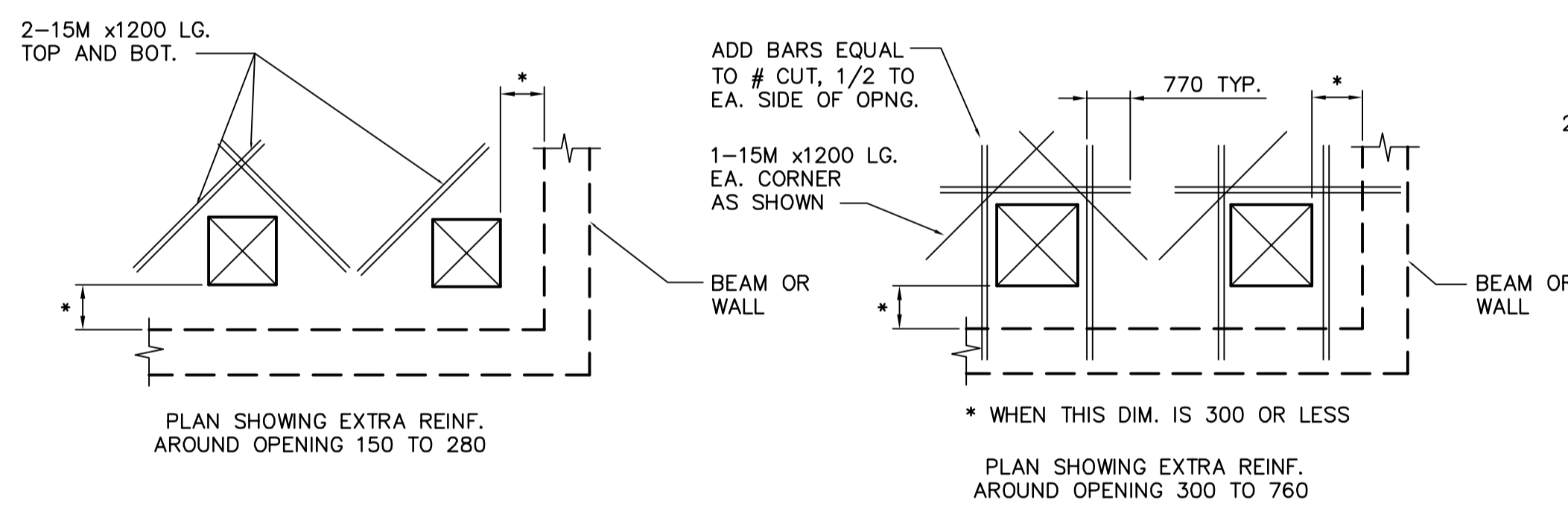
**E** TYPICAL WALL/BEAM/SLAB CONSTRUCTION JOINT  
STD N.T.S.



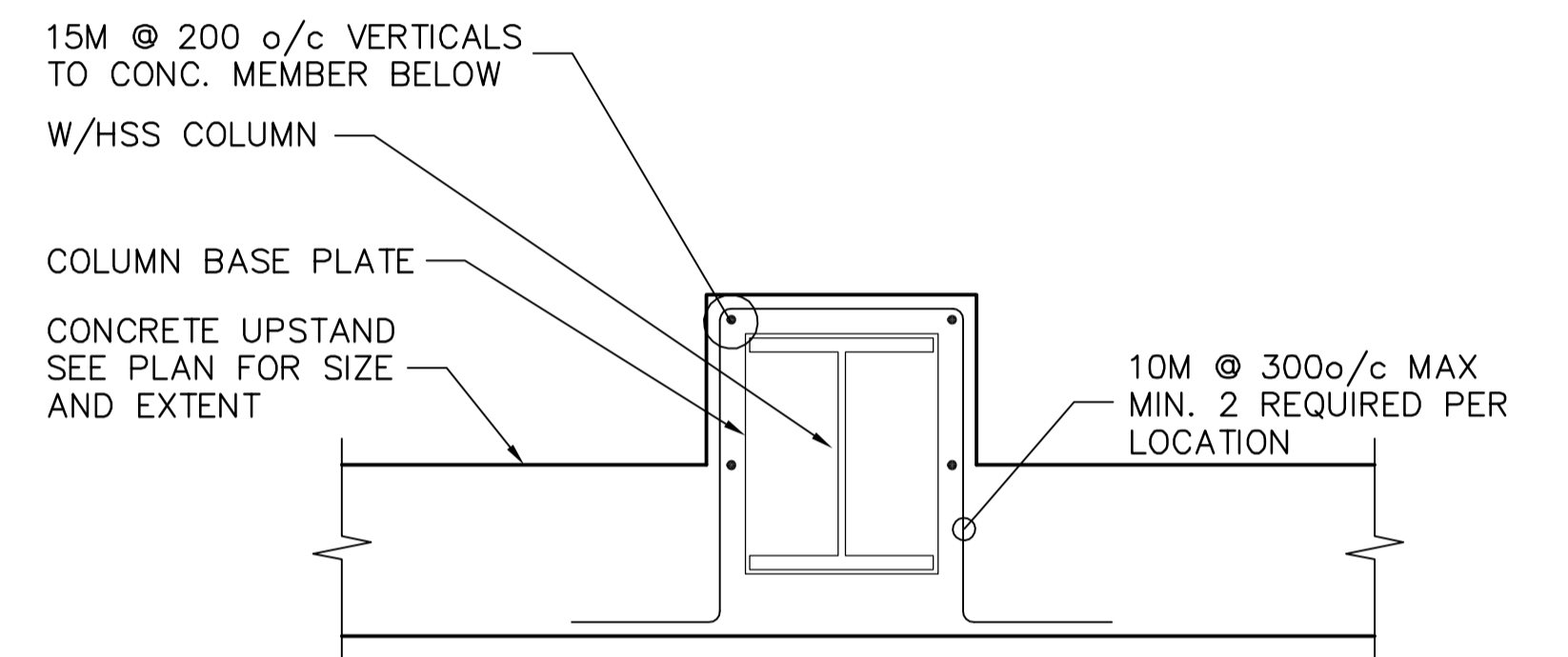
**F** WALL INTERSECTION REINFORCING DETAIL  
STD 1:20  
VERTICAL REINFORCING NOT SHOWN. REFER TO SPECIFIC SECTION FOR REINFORCING DETAILS.  
C = CONC. COVER AS SPECIFIED  
T = REFER TO WALL SCHED.



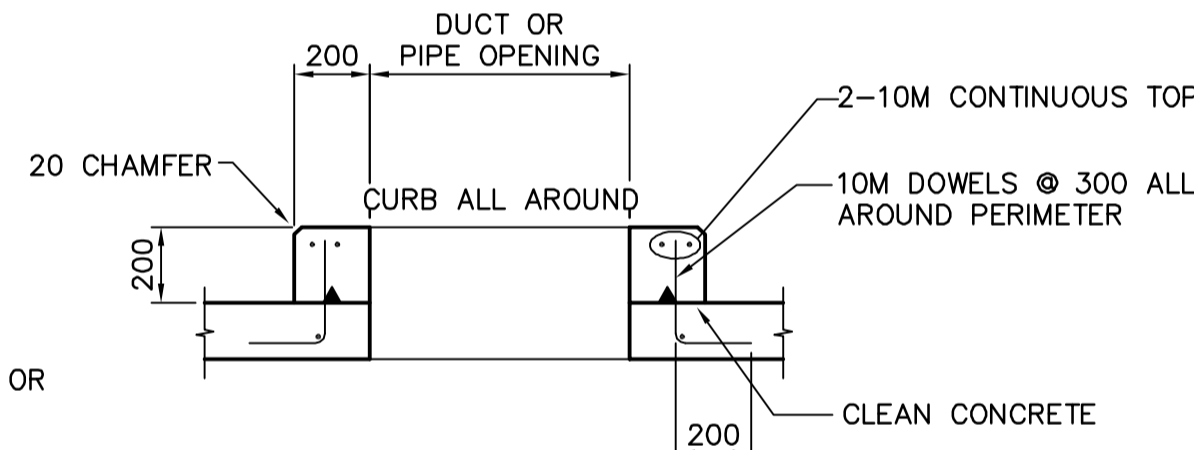
**B** PILE AT FLOOR SLAB DETAIL  
STD 1:20



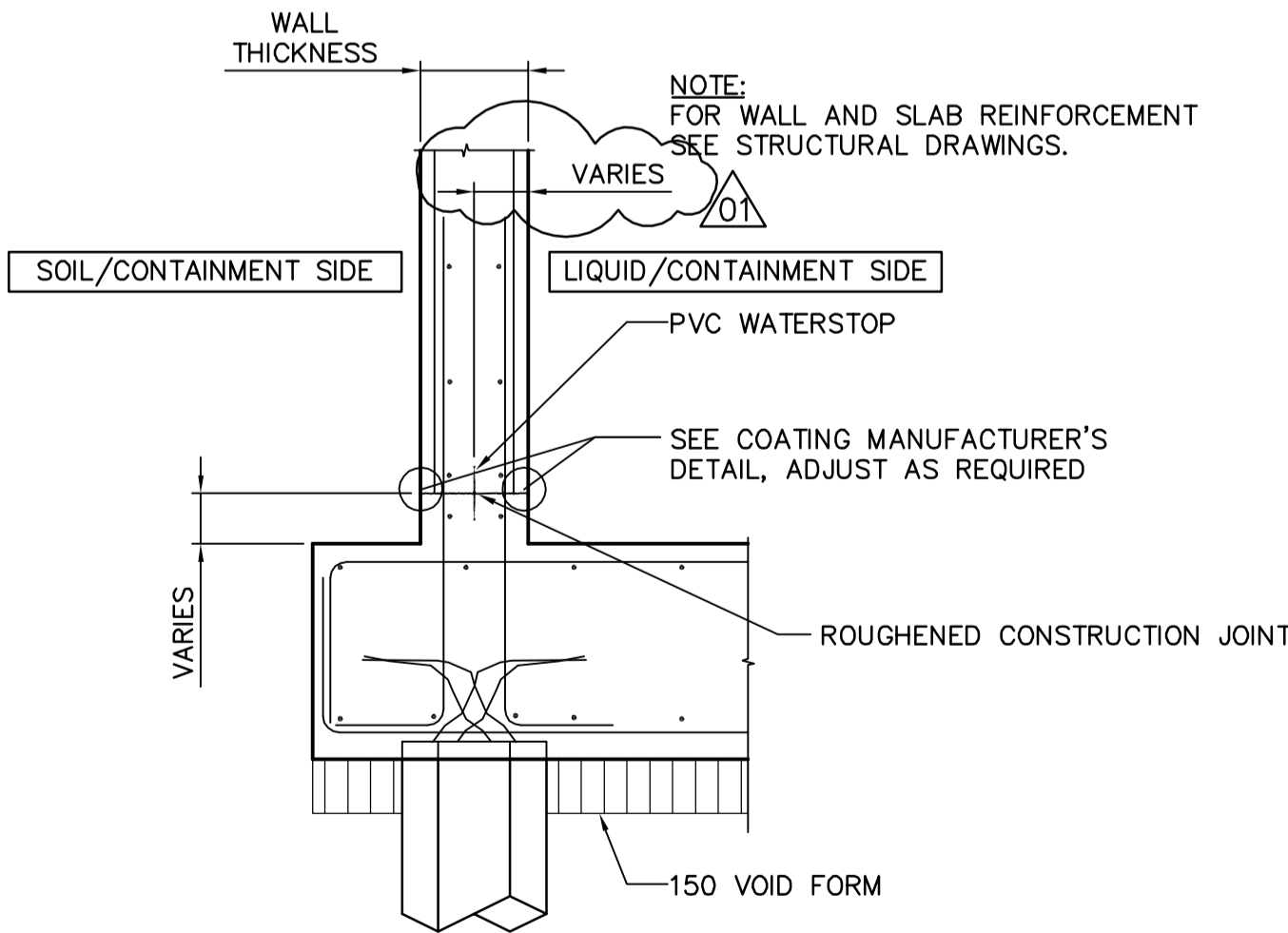
**G** HOUSE KEEPING PAD DETAIL  
STD 1:20



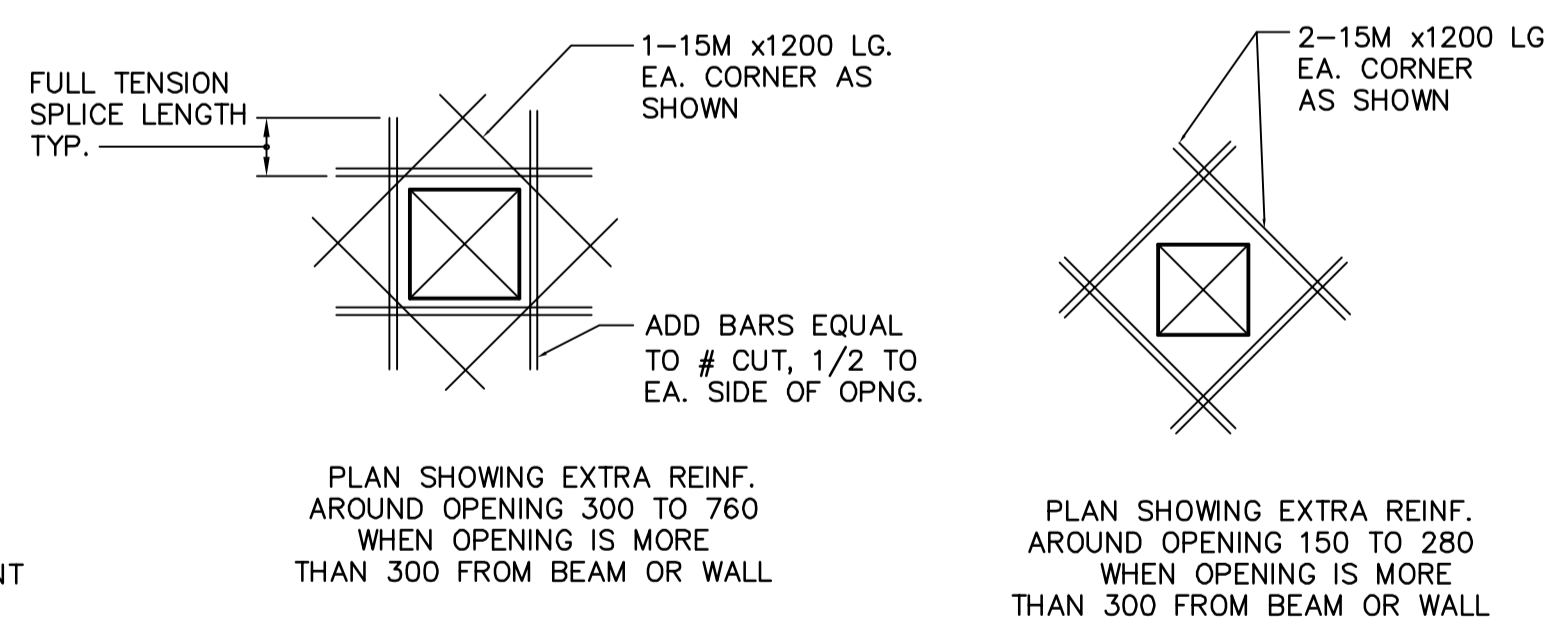
**H** TYP. UPSTAND EXTENSION AT COLUMN BASE PLATE  
STD N.T.S.



**I** CURB AROUND DUCT OR PIPE  
STD 1:20



**J** TYPICAL CONSTRUCTION JOINT FOR TANK RETAINING WALL TO TANK BASE SLAB  
STD 1:20



**K** TYPICAL REINFORCING AROUND OPENINGS IN CONCRETE SLAB, CONC. BEAM/WALL  
STD N.T.S.

1. NUMBER OF REINFORCING BARS TO BE CUT AT OPENING TO BE KEPT AT A MINIMUM. DEFLECT AS MANY BARS AS POSSIBLE AROUND OPENING.
2. REINFORCING BARS TO BE KEPT MINIMUM 50 CLEAR OF OPENING.
3. CIRCULAR OPENINGS TO BE TREATED IN SAME MANNER AS RECTANGULAR UNLESS OTHERWISE DETAILED.



B.M. ELEV.			ENGINEER'S SEAL
			ORIGINAL SIGNED BY
	DESIGNED BY ARA	CHECKED BY AP	A. POCHANART
	DRAWN BY CMF	APPROVED BY AHL	2007/01/31
	SCALE: AS NOTED	RELEASED FOR CONSTRUCTION BY: R. SOROKOWSKI	CONSULTANT DRAWING NO. WS-S0406
00 ISSUED FOR TENDER	07/01/31	WDB	
NO. REVISIONS	DATE	BY	DATE 2006/08/30 DATE 2007/01/31

<b>THE CITY OF WINNIPEG</b> WATER AND WASTE DEPARTMENT ENGINEERING DIVISION		CITY FILE NUMBER
WATER TREATMENT PLANT BULK CHEMICAL BUILDING SODIUM HYPOCHLORITE AND CHEMICAL STORAGE BUILDING		SHEET OF
STRUCTURAL STANDARD DETAILS		CITY DRAWING NUMBER
		<b>1-06018-A-S0406-001-00D</b>