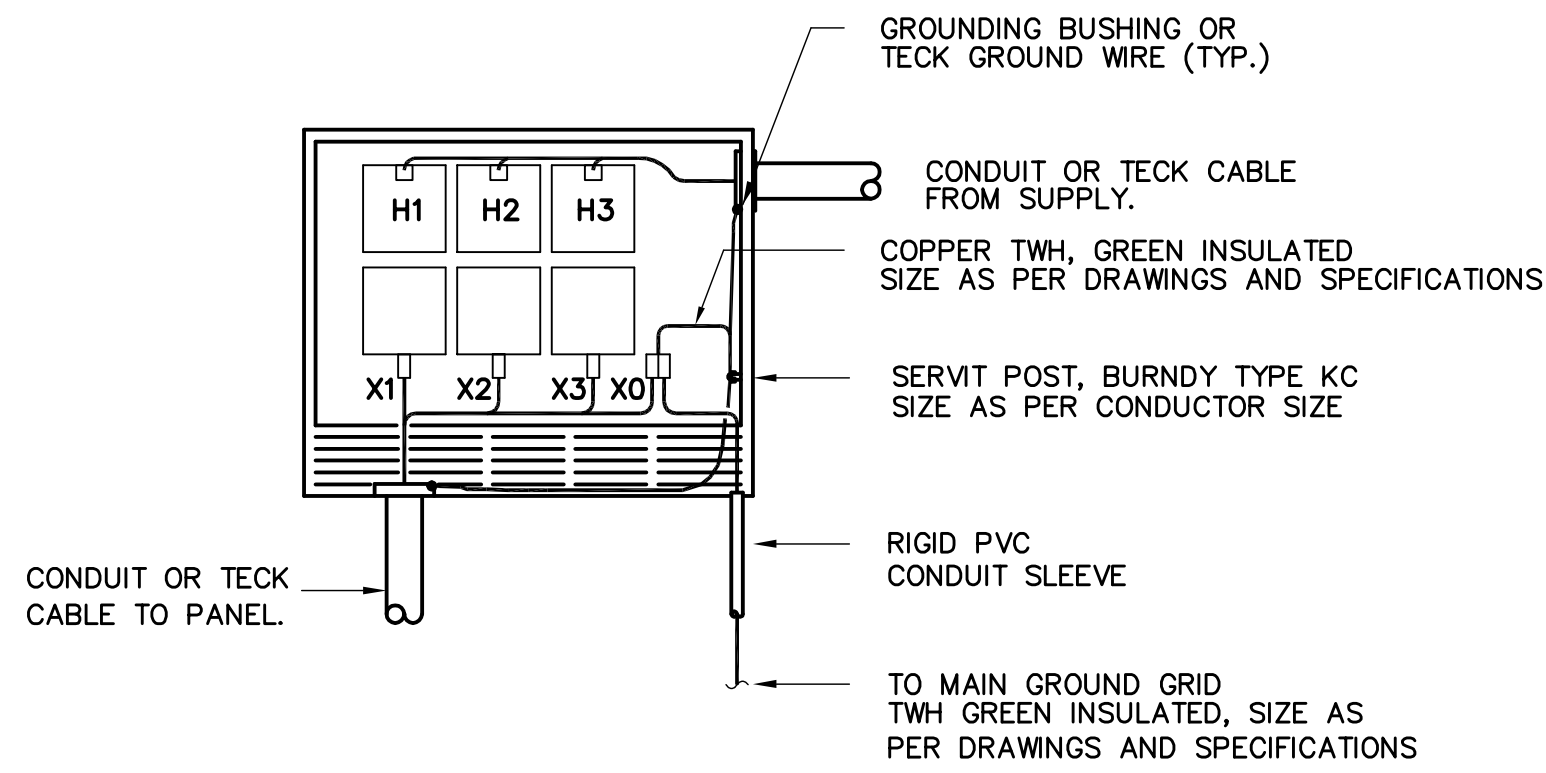
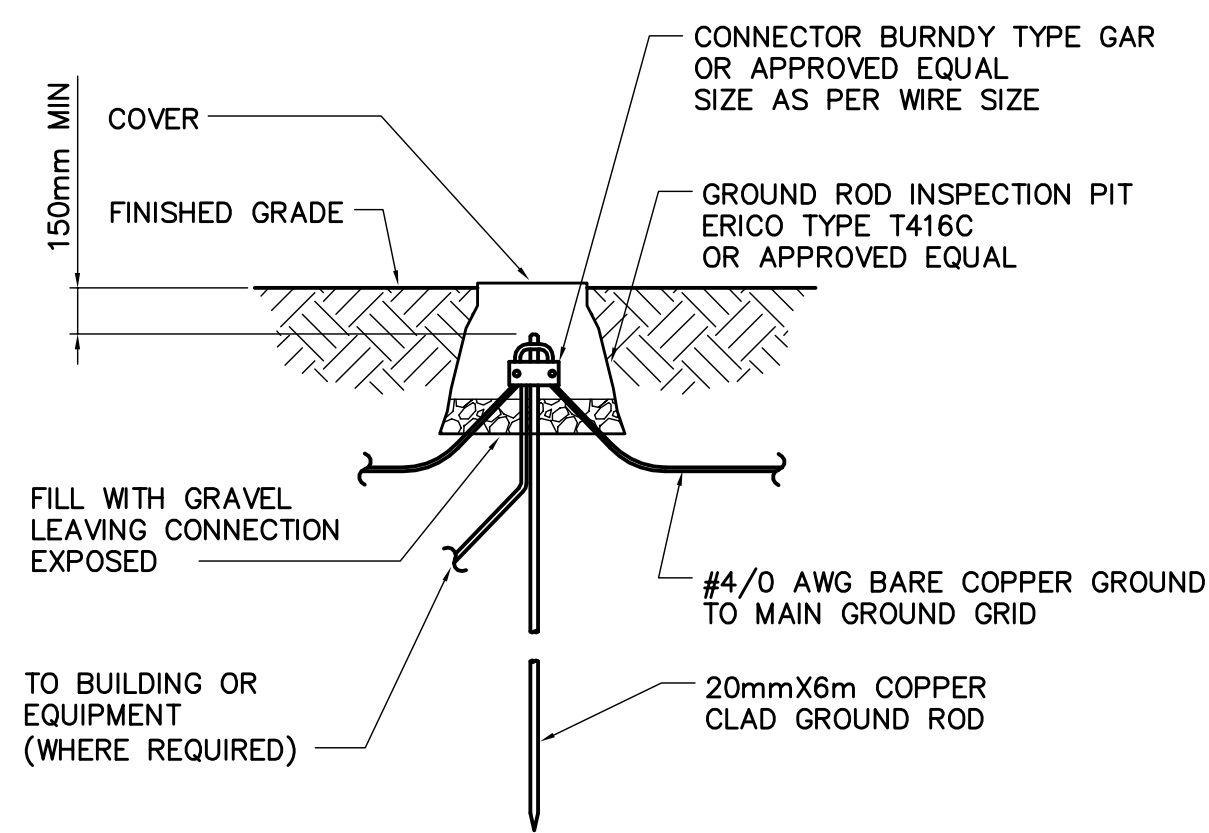


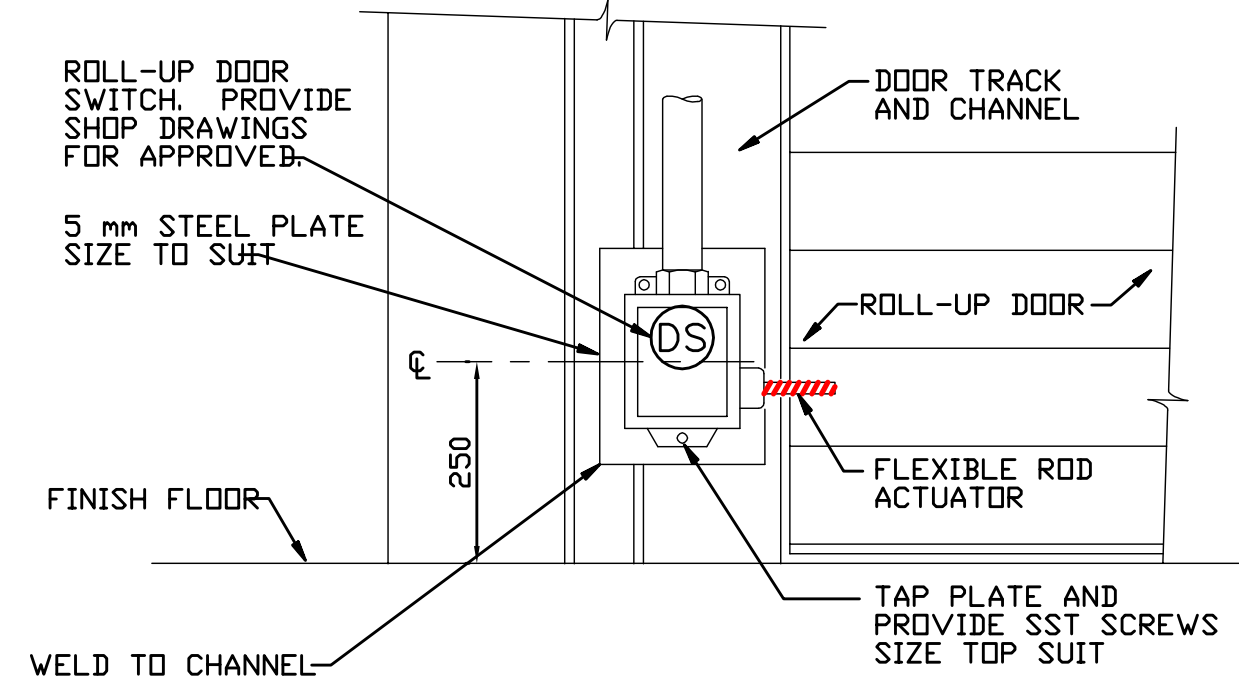
1 TYPICAL MOTOR CONNECTION DETAIL
N.T.S.



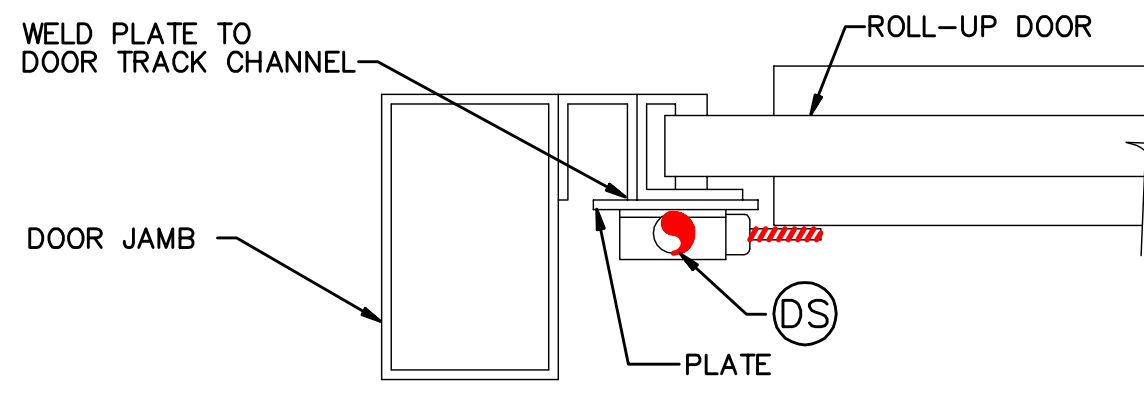
2 TYPICAL DRY TYPE TRANSFORMER GROUNDING DETAIL
N.T.S.



3 GROUND ROD INSPECTION WELL DETAIL
N.T.S.



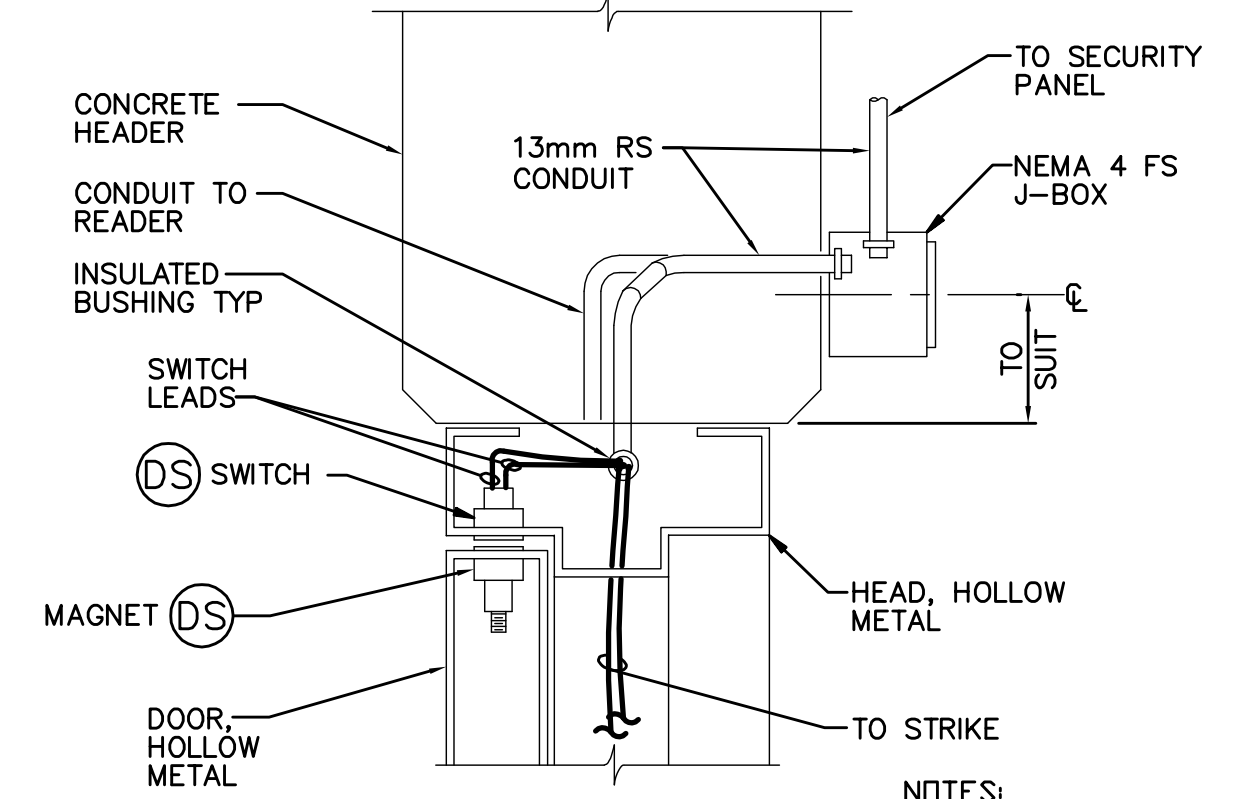
ELEVATION



PLAN

NOTE:
1. VERIFY DOOR AND JAMB ON ARCHITECTURAL PLANS AND SHOP DRAWINGS.

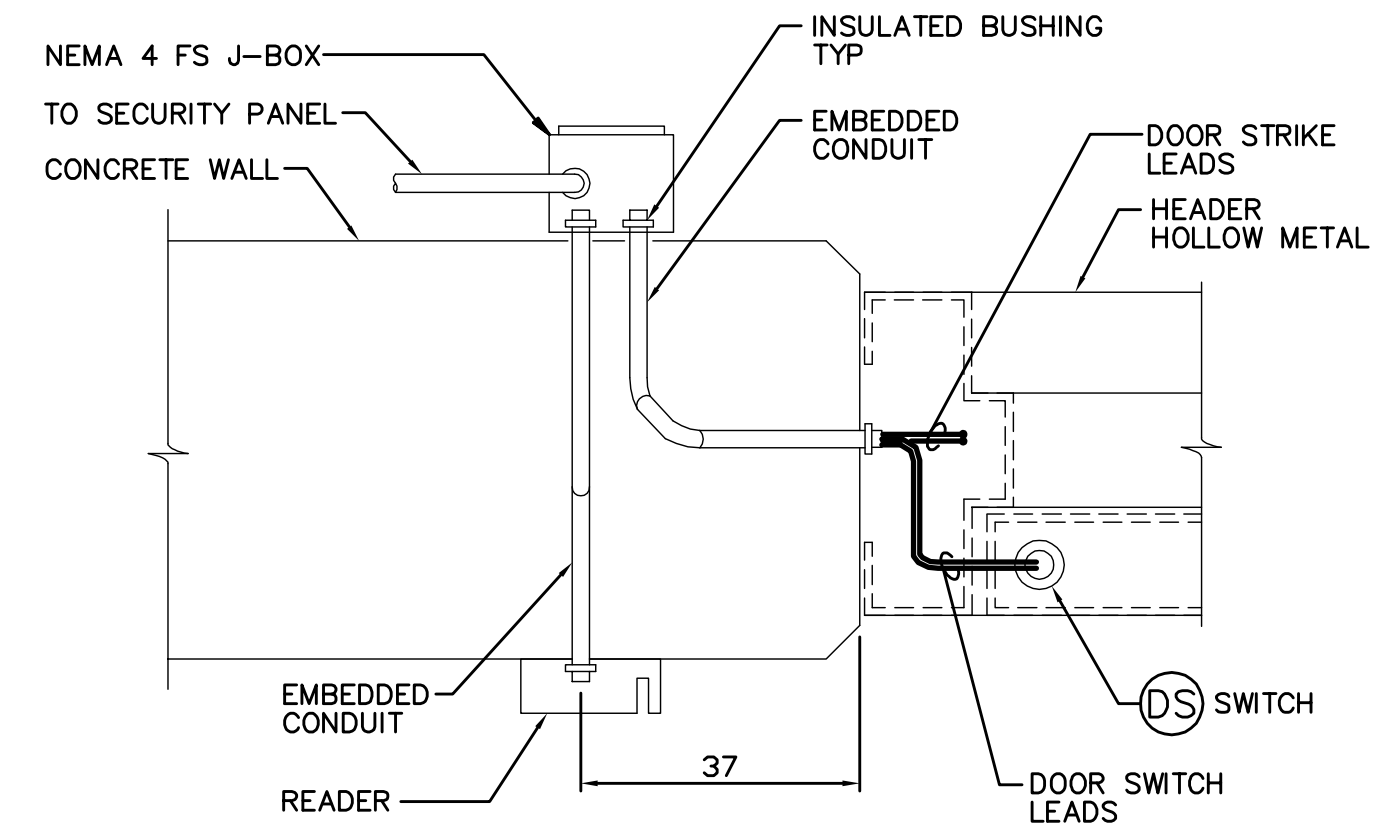
4 DETAIL ROLL-UP DOOR
NTS



ELEVATION

NOTES:
1. FOR DOOR AND HEAD SIZE REQUIREMENTS, SEE ARCHITECTURAL DETAILS.
2. SPDT CONTACTS INSTALL SWITCH AND MAGNET IN STRICT ACCORDANCE TO MANUFACTURERS INSTRUCTIONS.

TYPICAL COMPONENTS: SIMPLEX TIME RECORDER COMPANY 2760 SERIES MAGNETIC CONTACT SWITCHES.

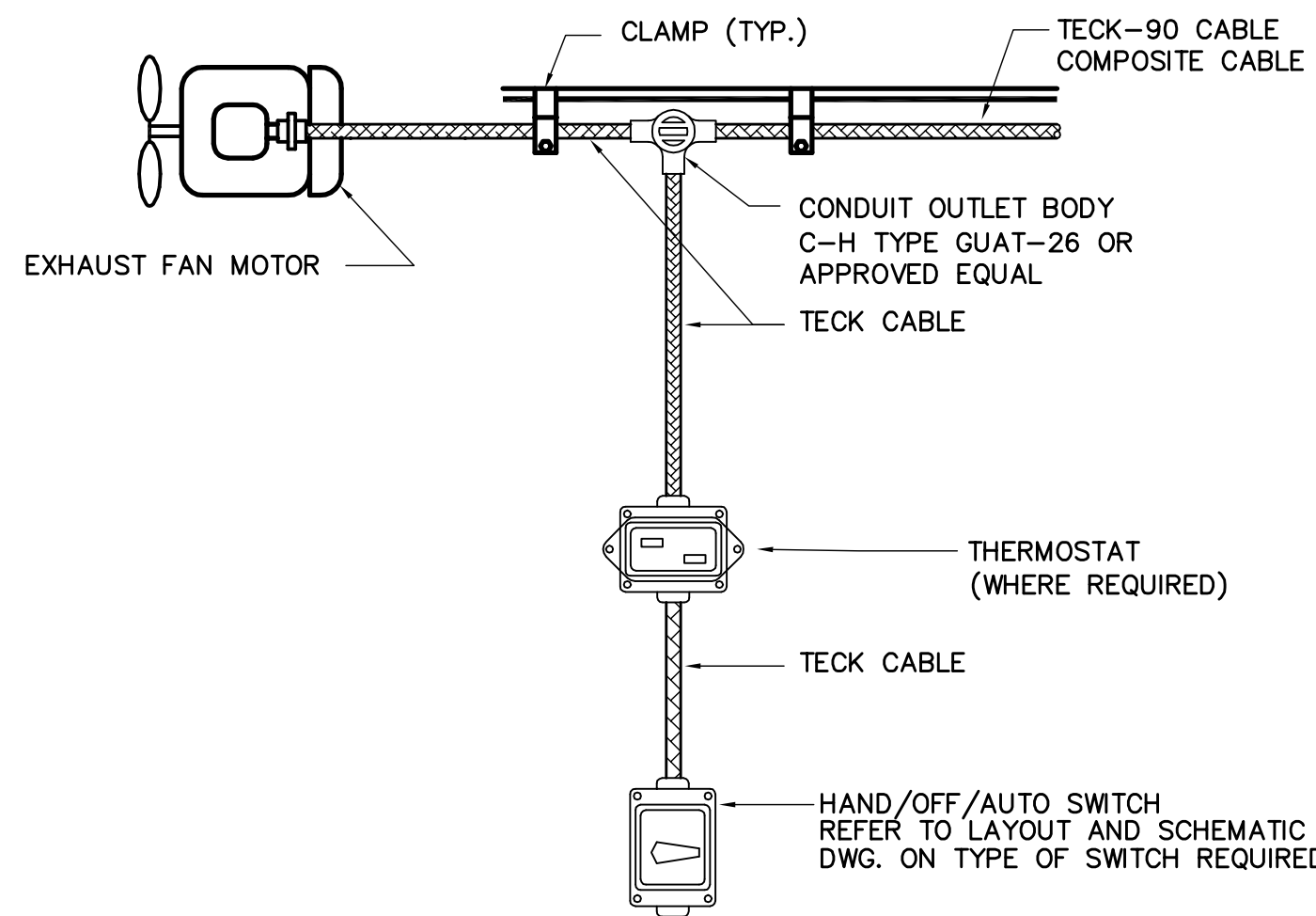


PLAN

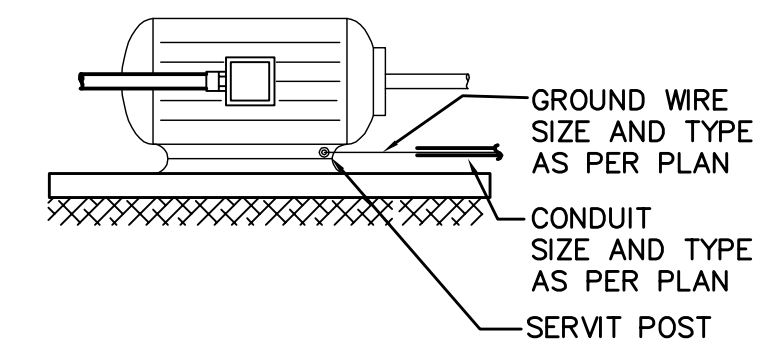
NOTES:
1. FOR DOOR AND HEAD SIZE REQUIREMENTS, SEE ARCHITECTURAL DETAILS.
2. SPDT CONTACTS INSTALL SWITCH AND MAGNET IN STRICT ACCORDANCE TO MANUFACTURERS INSTRUCTIONS.

TYPICAL COMPONENTS: SIMPLEX TIME RECORDER COMPANY 2760 SERIES MAGNETIC CONTACT SWITCHES.

6 DETAIL DOOR JAMB
NTS



5 EXHAUST FAN THERMOSTAT CONNECTION DETAIL
N.T.S.



7 TYPICAL MOTOR GROUNDING DETAIL
N.T.S.

 APEGM Certificate of Authorization Earth Tech Canada Inc. No. 730 Expiry: April 30, 2007	B.M. ELEV.	 Frederickson Cooper ARCHITECTS	 EarthTech A Tyco International Ltd. Company	ENGINEER'S SEAL ORIGINAL SIGNED BY P. STRYK 2007/01/31	 THE CITY OF WINNIPEG WATER AND WASTE DEPARTMENT ENGINEERING DIVISION WATER TREATMENT PLANT BULK CHEMICAL BUILDING SODIUM HYPOCHLORITE AND CHEMICAL STORAGE BUILDING ELECTRICAL STANDARD DETAILS	CITY FILE NUMBER SHEET OF
	DESIGNED BY: BLM CHECKED BY: ND			CONSULTANT DRAWING NO. WS-E0451		CITY DRAWING NUMBER 1-0601S-D-E0451-001-000
	DRAWN BY: ERC APPROVED BY: AHL					
	SCALE: NTS RELEASED FOR CONSTRUCTION BY: R. SOROKOWSKI					
NO. REVISIONS DATE BY DATE	00 ISSUED FOR TENDER 07/01/31 ERC 006/10/10	DATE 2007/01/31				