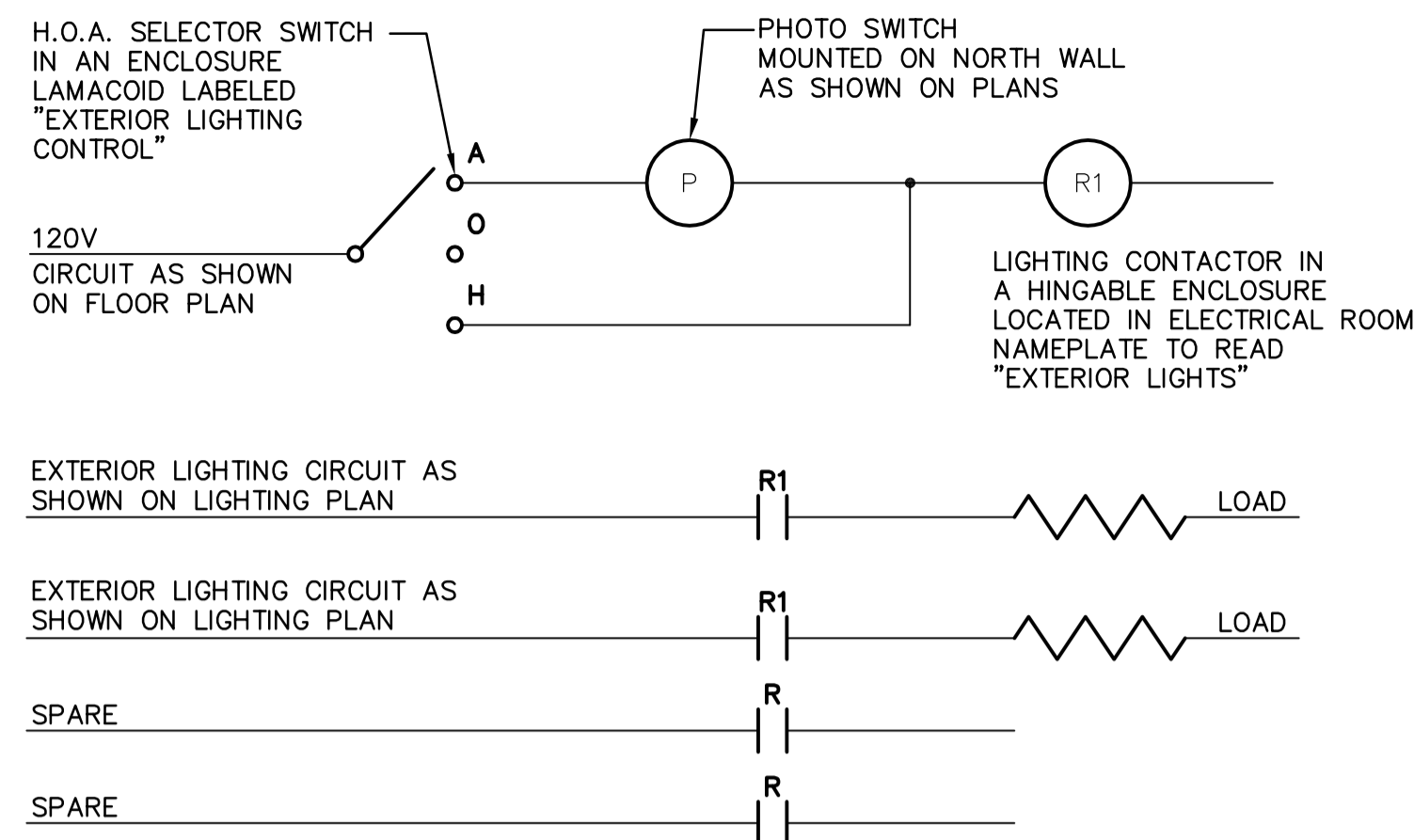
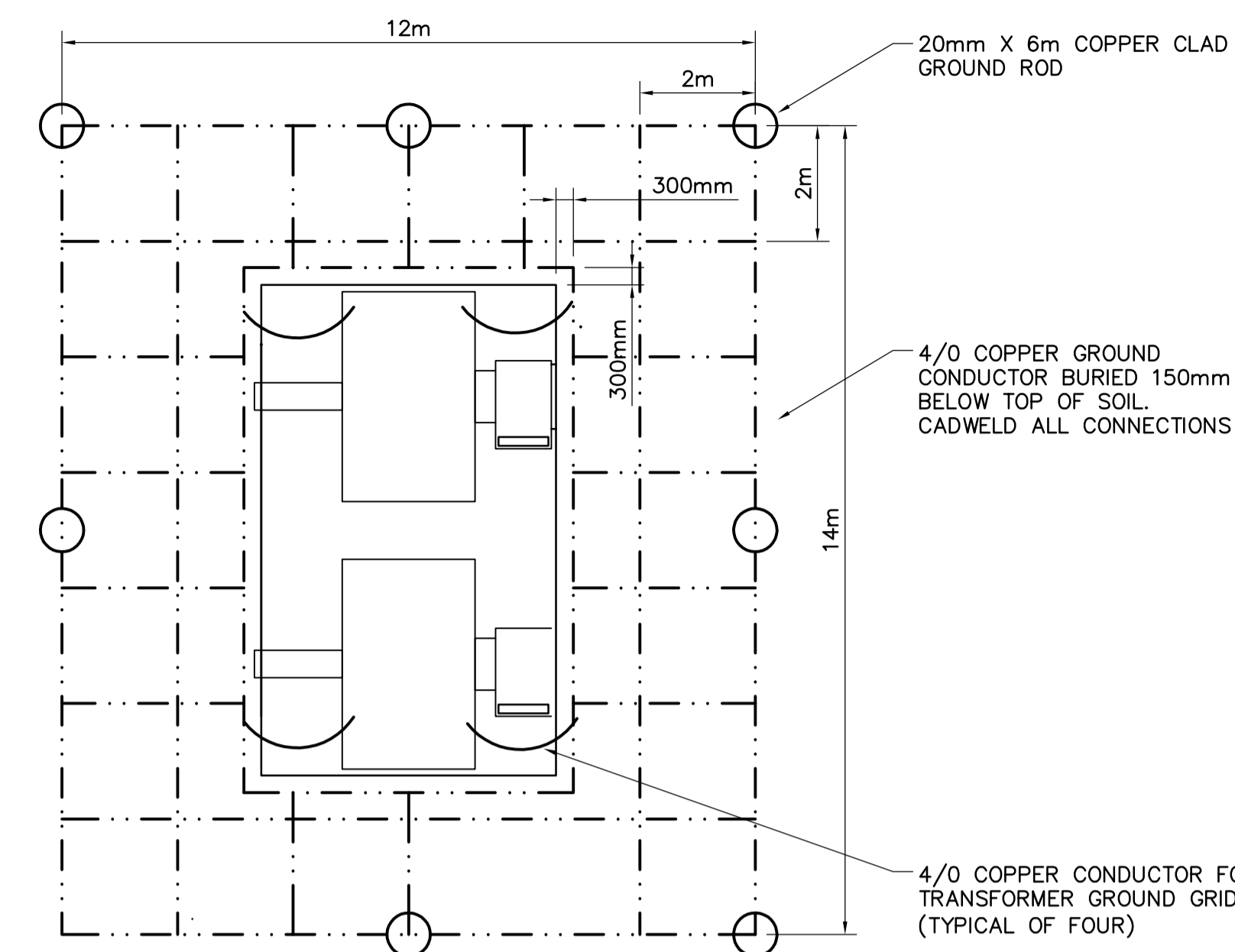


- NOTES**
- BEFORE BOLTING, CLEAN THE CONNECTING SURFACES AND APPLY BURNDY PENETROX COMPOUND "A" TO BOTH SURFACES.
 - BARE COPPER CONNECTIONS SHALL BE COATED WITH SILICONE
 - CONNECTOR SHALL BE PLACED TO AVOID CABLE PULLING SPACE.

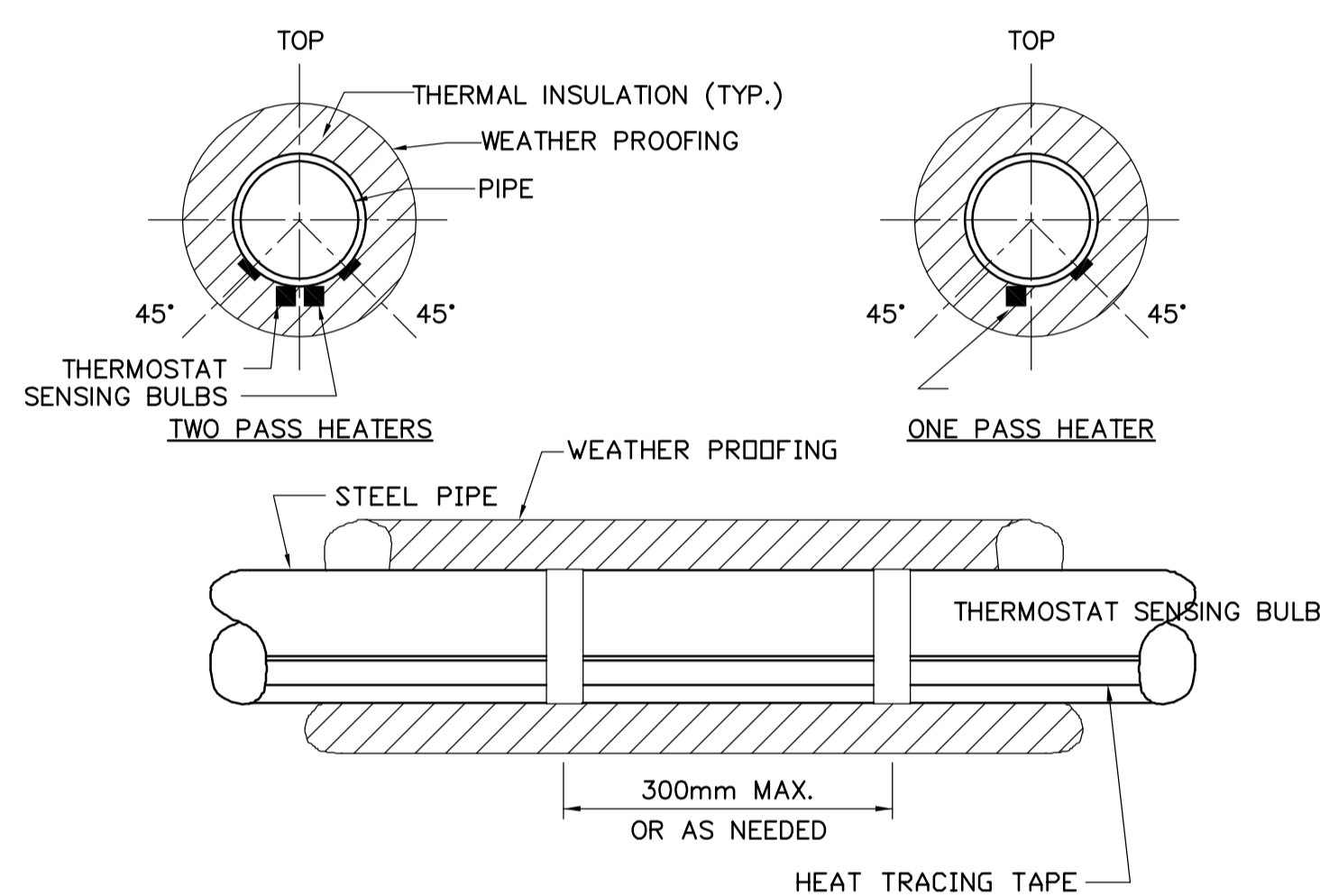
1 CABLE TRAY GROUNDING DETAIL
N.T.S.



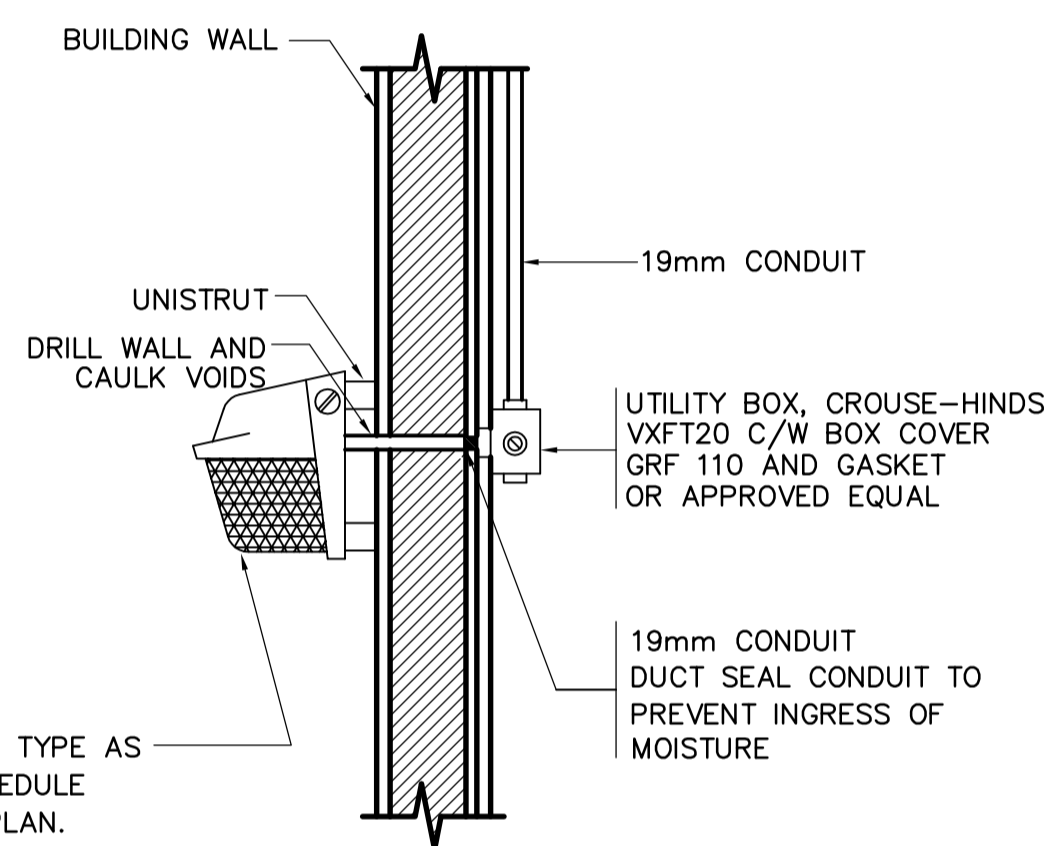
4 EXTERIOR LIGHTING CONTROL DETAIL
N.T.S.



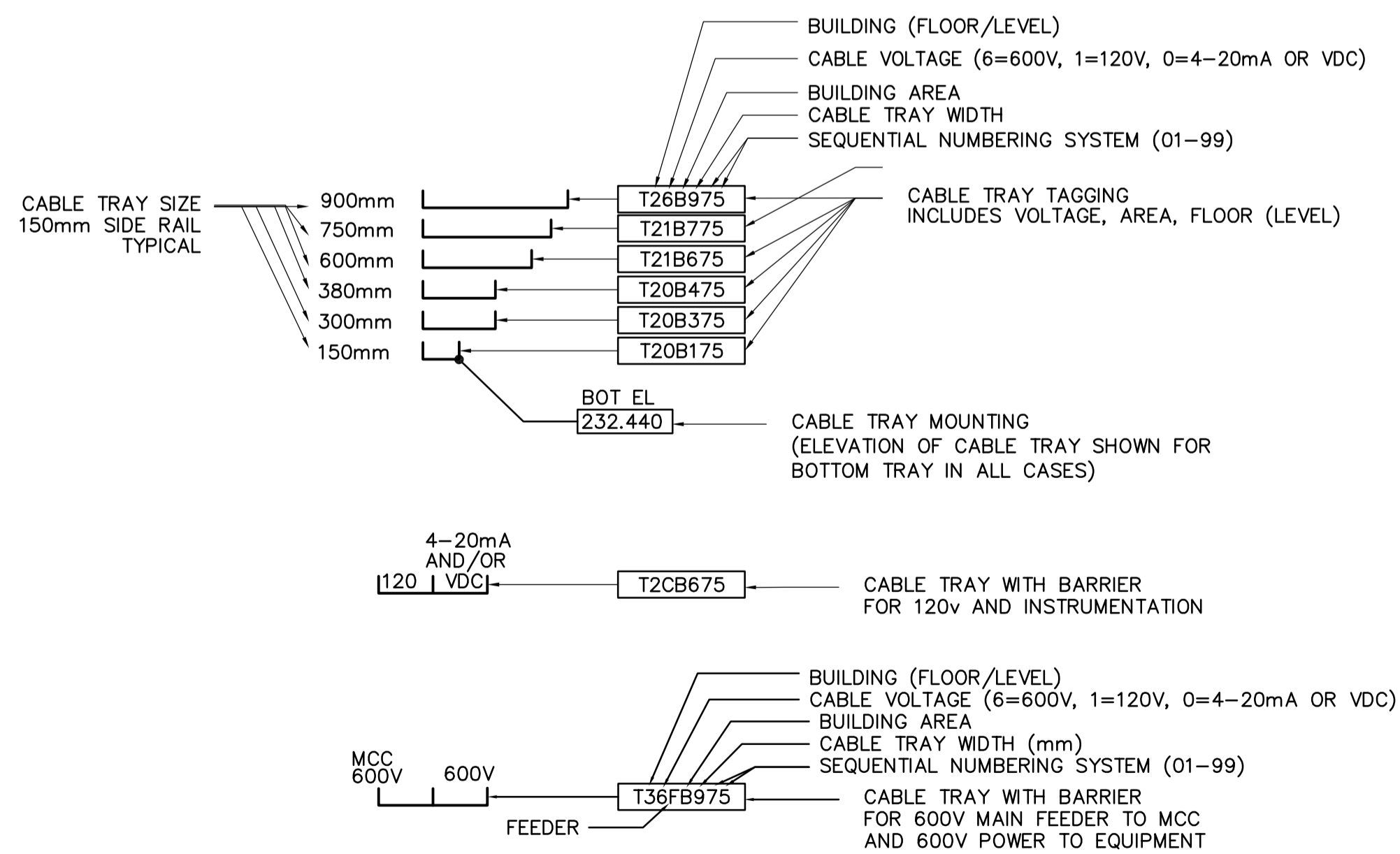
7 4160/600V TRANSFORMER GROUND GRID
N.T.S.



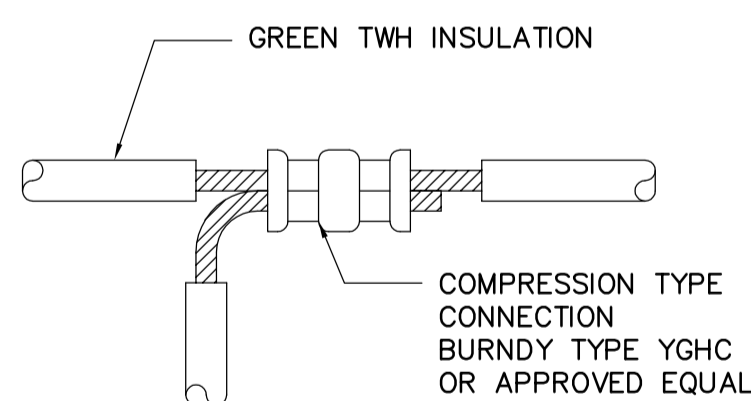
2 ABOVE GROUND HEAT TRACING DETAIL
N.T.S.



5 EXTERIOR LIGHT MOUNTING DETAIL
N.T.S.



3 CABLE TRAY TAGGING DETAIL
N.T.S.



WIRE SIZE AS PER DRAWINGS AND SPECIFICATIONS

NOTE:
SPRAY CONNECTION WITH GLYPTAL, WRAP WITH TWO LAYERS OF RUBBER TAPE AND TWO LAYERS OF SCOTCH 88 TAPE.

6 TYPICAL GROUND TAP DETAIL
N.T.S.

<p>Certificate of Authorization Earth Tech Canada Inc. No. 730 Expiry: April 30, 2007</p>	B.M. ELEV.	<p>Frederickson Cooper ARCHITECTS</p>	<p>A Type International Ltd. Company</p>	ENGINEER'S SEAL	<p>THE CITY OF WINNIPEG WATER AND WASTE DEPARTMENT ENGINEERING DIVISION</p>										
	DESIGNED BY			BLM		CHECKED BY	ND	ORIGINAL SIGNED BY	P. STRYK						
	DRAWN BY			ERC		APPROVED BY	AHL	DATE	2007/01/31						
	SCALE:			NTS		RELEASED FOR CONSTRUCTION BY:	R. SOROKOWSKI	CONSULTANT DRAWING NO.	WS-E0452						
NO.	ISSUED FOR TENDER	DATE	07/01/31	DATE	2006/10/10	DATE	2007/01/31	REVISIONS	DATE	DATE	2006/10/10	DATE	2007/01/31	DATE	2007/01/31
				<p>WATER TREATMENT PLANT BULK CHEMICAL BUILDING SODIUM HYPOCHLORITE AND CHEMICAL STORAGE BUILDING</p>		<p>ELECTRICAL STANDARD DETAILS</p>		<p>CITY FILE NUMBER</p>		<p>SHEET OF</p>		<p>CITY DRAWING NUMBER</p>		<p>1-0601S-D-E0452-001-000</p>	