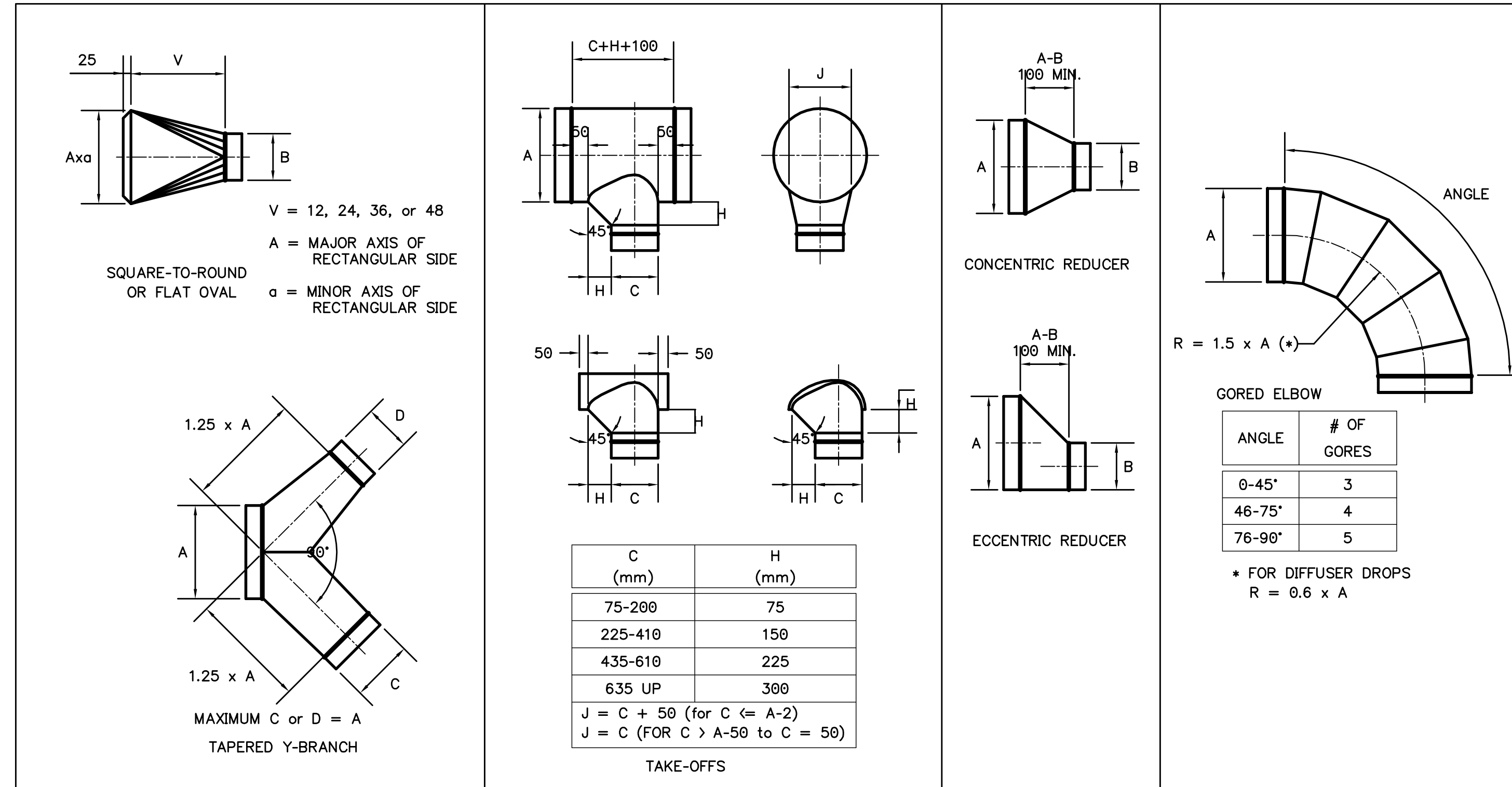


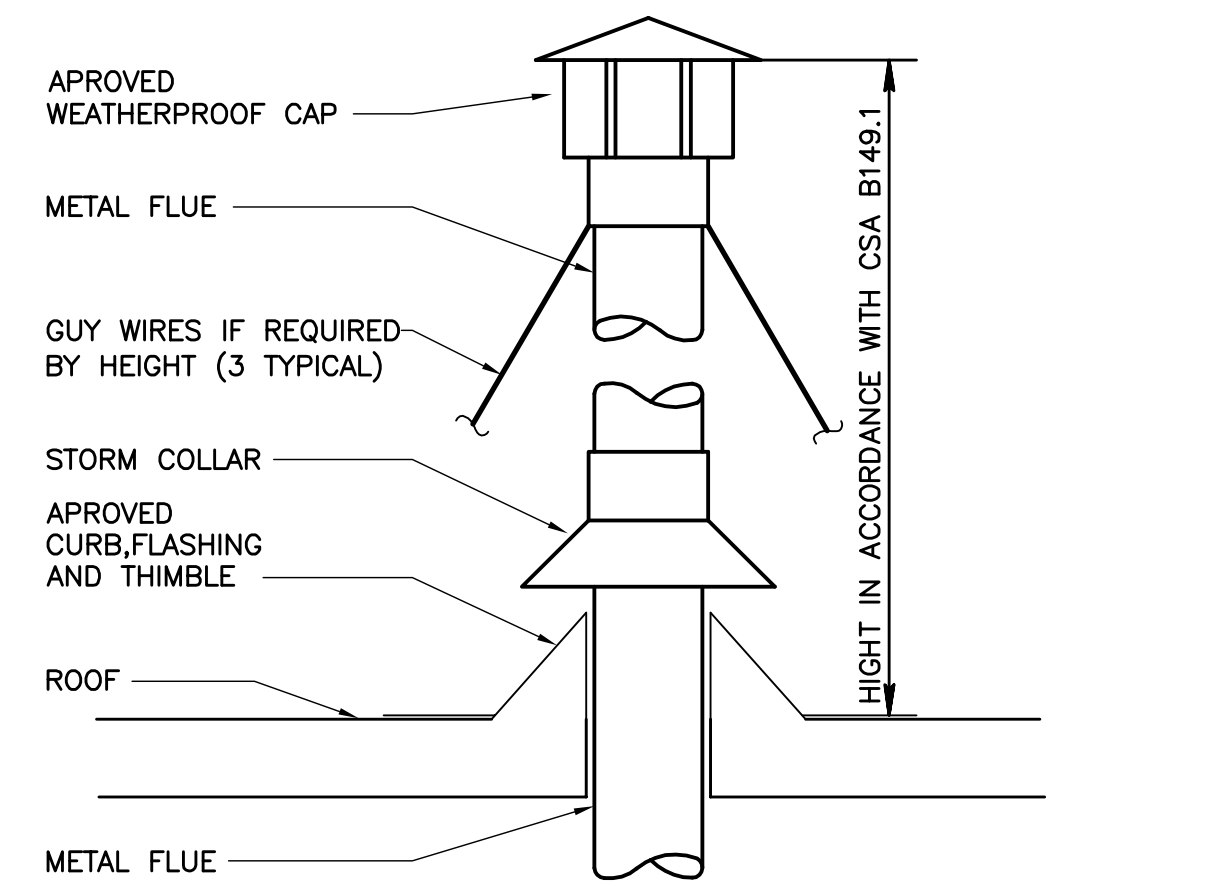
STATIC PRESSURE RATING	DOOR SIZE	HINGE QTY.	LOCK QTY.	METAL GAUGE		
				FRAME	DOOR	BACK
500 Pa & LESS	300 x 300	2	1-S	24	26	26
	400 x 500	2	2-S	22	24	26
	600 x 600	3	2-S	22	22	26
UP TO 750 Pa	300 x 300	2	1-S	22	22	26
	400 x 500	2	1-S,1-T,1-B	20	20	26
	600 x 600	3	2-S,1-T,1-B	20	20	24
1000 Pa to 2500 Pa	300 x 300	2	1-S,1-T,1-B	20	20	26
	400 x 500	3	2-S,1-T,1-B	20	18	24
	600 x 600	3	2-S,2-T,2-B	18	18	24

S: SIDE OPPOSITE HINGE, T: TOP, B: BOTTOM

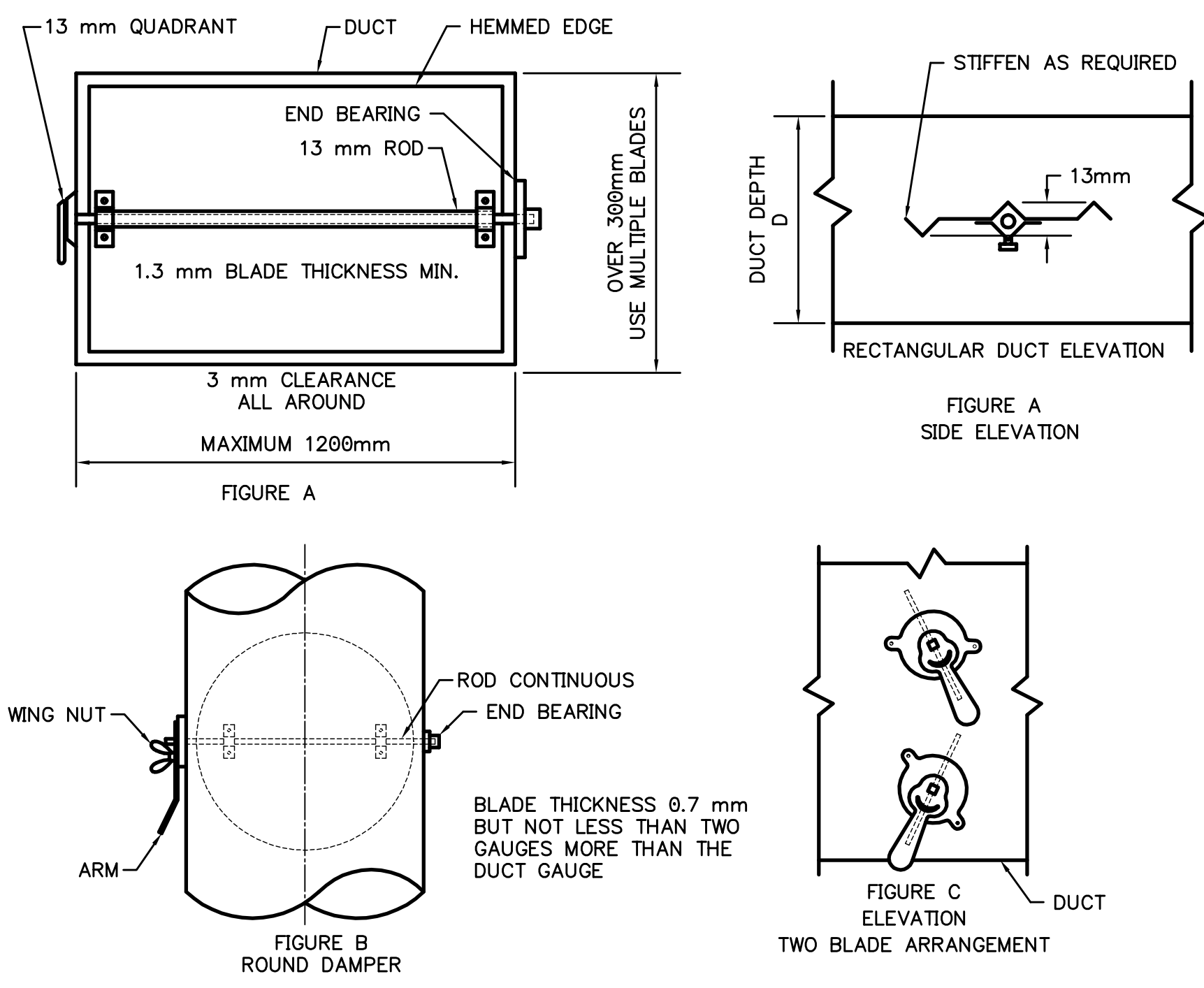
1 DUCT ACCESS DOOR DETAILS
- N.T.S.



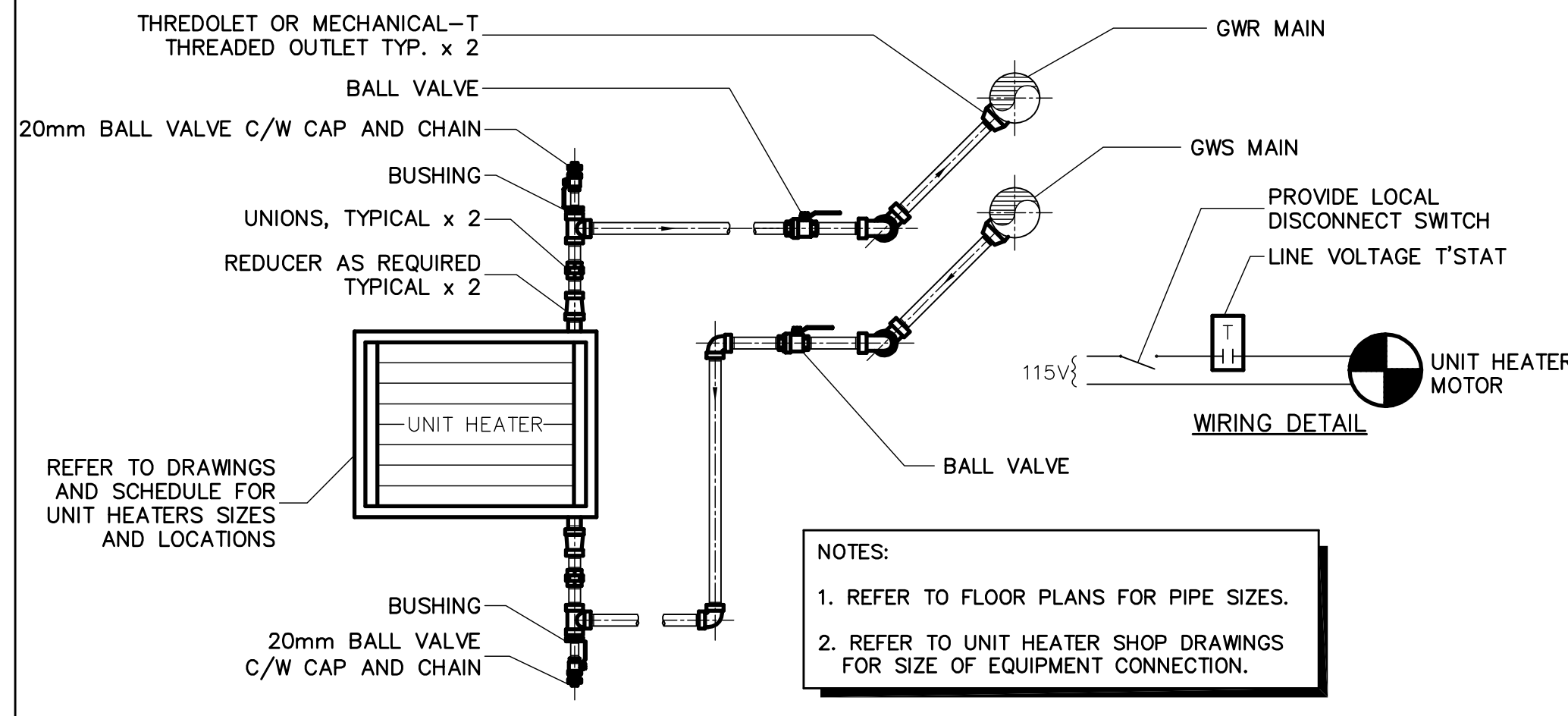
2 ROUND AND FLAT OVAL DUCT FITTINGS
- N.T.S.



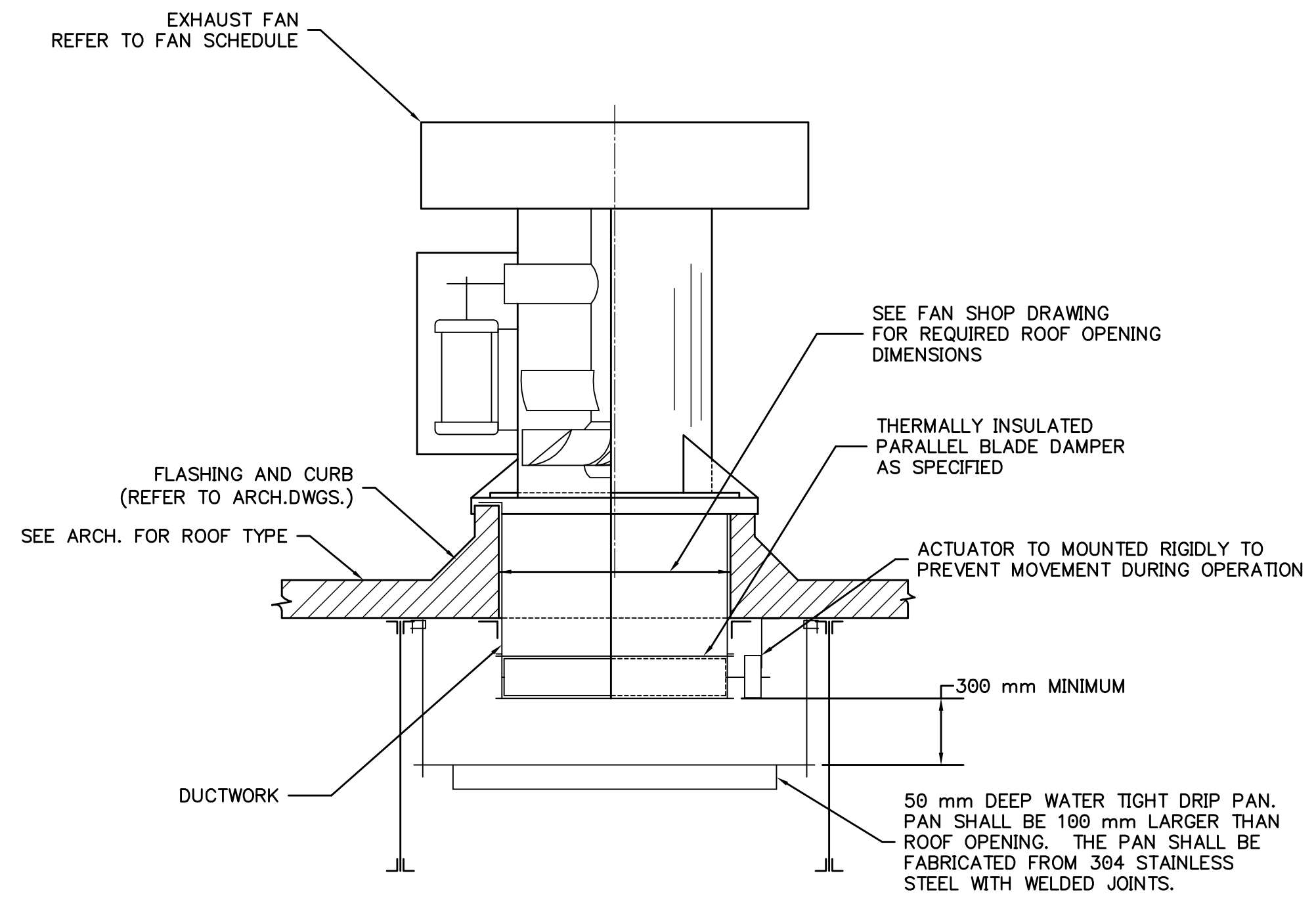
3 ROUND ROOF FLUE PENETRATION DETAIL
- N.T.S.



4 BALANCING DAMPER DETAIL
- N.T.S.



5 TYPICAL HYDRONIC UNIT HEATER DETAIL
- N.T.S.



6 EXHAUST FAN DETAIL
- N.T.S.

<p>Certificate of Authorization Earth Tech Canada Inc. No. 730 Expiry: April 30, 2007</p>	B.M. ELEV.	<p>Frederickson Cooper ARCHITECTS</p>	<p>A Tyco International Ltd. Company</p>	ENGINEER'S SEAL	<p>THE CITY OF WINNIPEG WATER AND WASTE DEPARTMENT ENGINEERING DIVISION</p>	
	DESIGNED BY			CHECKED BY PVL/AMA		ORIGINAL SIGNED BY A. M. AFTANAS
	DRAWN BY LJW			APPROVED BY AHL		2007/01/31
	SCALE: N.T.S.			RELEASED FOR CONSTRUCTION BY: R. SOROKOWSKI		CONSULTANT DRAWING NO. WS-H0403
00 ISSUED FOR TENDER 07/01/31 LJW	NO. REVISIONS DATE BY DATE 06/10/25	DATE 2007/01/31	DATE 2007/01/31	MECHANICAL STANDARD DETAILS	CITY FILE NUMBER SHEET OF CITY DRAWING NUMBER 1-0601S-D-H0403-001-000	